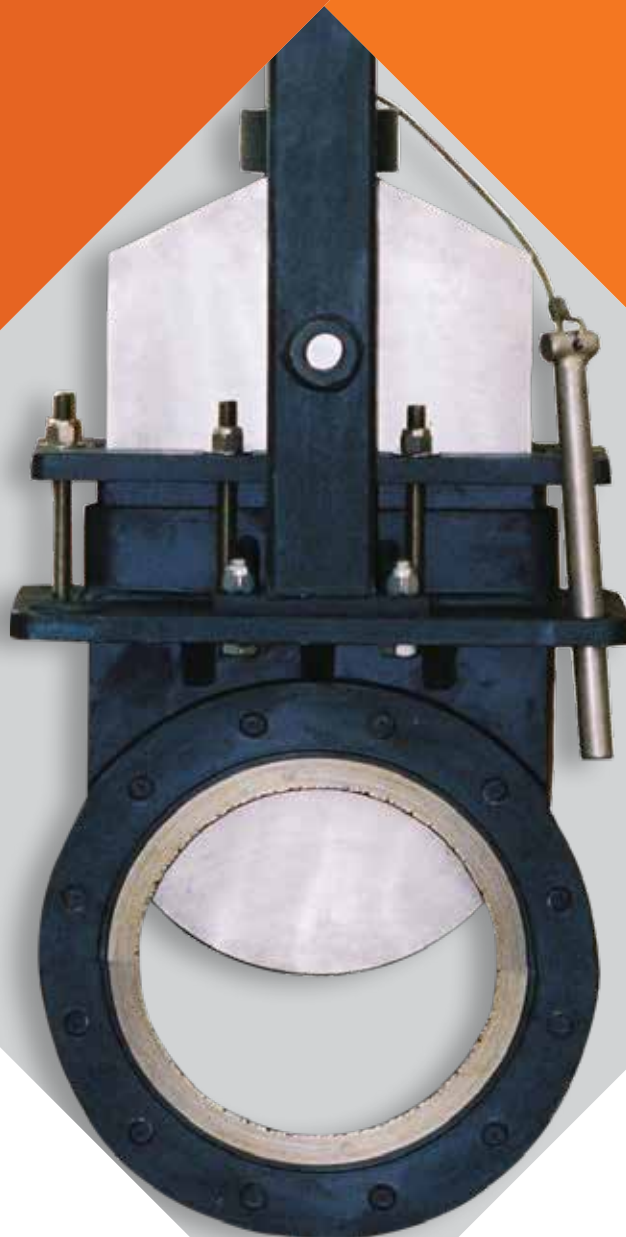




HD150/HD300 Heavy Duty Knife Gate Valve

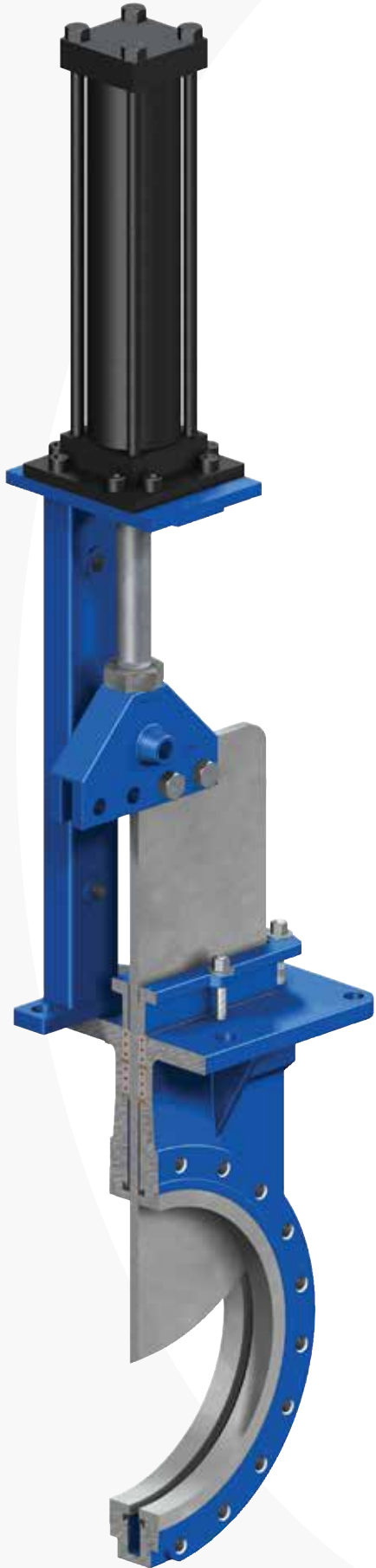
HEAVY DUTY VALVES FOR THE
OIL SANDS INDUSTRY



ITT

ENGINEERED FOR LIFE

Heavy Duty Knife Gate Valve



The HD150 and HD300

Heavy Duty Knife Gate Valve

The Fabri-Valve® HD line of Heavy Duty Knife Gate Valves are specifically designed to withstand abrasive, high pressure oil sands slurries. The HD Valve features a carbon steel body with ANSI B16.34 wall thickness and ANSI B16.5/B16.47 full face flanges. The body has a double replaceable seat configuration that provides bi-directional shutoff. The dual replaceable seats are easily field replaceable and are interchangeable from one side to the other. The seats are hard faced with chrome carbide on the port ID and seat face to provide long lasting seat and valve life in the harshest of slurry applications. The HD Valve's stuffing box is machined, providing tighter tolerances, thereby improving the packing's sealing performance as well as providing positive alignment of the gate. Six rows of resilient cored packing with internal live-loading in combination with two gate scrapers provide superior sealing and increased packing life.

Advantages

- Full Port design matches the internal diameter of schedule 40 pipe, which reduces flow restrictions
- Full flanges, not scalloped, provide a robust body design
- Easily field replaceable hard faced seats increase service life and reduce seat replacement time
- Over designed gate clamp prevents gate clamp failure
- Heavy duty yoke/superstructure and oversized actuation insures the valve will cycle under the harshest of applications
- Optional cylinder actuation has been functionally tested at -58°F (-50°C)
- Dual gate scrapers and six rows of resilient cored packing provide a robust sealing platform with improved service life

Design

- HD150: ANSI Class 150 Pressure Rating
- HD300: ANSI Class 300 Pressure Rating
- ANSI B16.34 Wall Thickness
- ANSI B16.5/B16.47 flanges
- Designed and marked per ANSI B16.34
- MSS-SP135 Face to Face
- Full rated CRN
- HD150 Port ID Matches Schedule 40 Pipe ID
- HD300 Port ID Matches Schedule 80 Pipe ID
- Double Replaceable Seats are identical and can be used in either side of the valve in any orientation
- Seats are easily field replaceable without modification to the valve
- Seats are hard faced with chrome carbide for extended service life in heavy slurry applications
- Secondary HNBR resilient seats
- Bi-directional metal seat shut off, Class IV or better

- Bi-directional drip tight shut off achieved with HNBR seat (initial start-up only)
- Hardened 17-4 PH Gate extends service life
- Six rows of packing ensure a superior seal
- Dual gate scrapers clean the gate and protect the packing
- Suitable for Dead End service (requires doughnut flange)
- Body lifting lugs/eyes
- Standard actuators operate at -20F (-29C)
- Valve configured for optional gate lock outs in the open and closed positions
- Heavy duty "Four Bolt" gate clamp
- Standard heavy duty hydraulic cylinder rated at 3000 psi
- Radii on gate edges improve packing efficiency and life

Specifications

Size Range

HD150: 6" – 36" (DN 150 - 900)

HD300: 6" – 36" (DN 150 - 900)

Other sizes available, contact factory

Valve Body Pressure-Temperature Rating

The following table is the maximum working pressure ratings of the *valve body only*. If resilient seals are used, the seal ratings determine the practical limitation in actual service conditions.

HD150 Valve Body Ratings* - Carbon Steel			
Body Rating - psi (bar)			
Temperature °F (°C)	WCB	LC1 ¹	
-20 to 100 (-29 to 38)	285 (19.7)	265 (18.3)	
200 (93)	60 (17.9)	255 (17.6)	
300 (149)	230 (15.9)	230 (15.9)	
400 (204)	200 (13.8)	200 (13.8)	
500 (260)	170 (11.7)	170 (11.7)	
600 (316)	140 (9.7)	140 (9.7)	
650 (343)	125 (8.6)	125 (8.6)	
700 (371)	110 (7.6)	--	
750 (399)	95 (6.6)	--	
800 (427)	80 (5.5)	--	
HD300 Valve Body Ratings* - Carbon Steel			
Body Rating - psi (bar)			
Temperature °F (°C)	WCB	LC1 ¹	
-20 to 100 (-29 to 38)	740 (51.0)	695 (47.9)	
200 (93)	680 (46.9)	660 (45.5)	
300 (149)	655 (45.2)	640 (44.1)	
400 (204)	635 (43.8)	615 (42.4)	
500 (260)	605 (41.7)	585 (40.3)	
600 (316)	570 (39.3)	550 (37.9)	
650 (343)	550 (37.9)	535 (36.9)	
700 (371)	530 (36.5)	--	
750 (399)	505 (34.8)	--	
800 (427)	410 (28.3)	--	
<p>* Ratings correspond to ASME B16.34-2004 (1) LC1 (Low Temperature) has a minimum temperature rating of -75°F -- LC1 (Low Temp Carbon Steel) is not to be used over 650°F Other body materials are available upon request</p>			

Temperature Rating

Metal Replaceable Seats:

- Per Body Rating.

Metal Replaceable Seats *with* Secondary Resilient Seal:

- HNBR seal (standard): -50°F (-46°C) to 280°F (138°C)
- EPDM seal (optional): -35°F (-37°C) to 280°F (138°C)

Flange Drilling

HD150: ANSI 125/150 Series A Drilling Standard.

HD300: ANSI 300 Series A Drilling Standard.

Contact factory for alternate flange drilling.

Testing

Every Fabri-Valve® HD series valve is fully tested prior to shipment. Testing includes a body shell test, a seat test and a cycling test to insure proper functioning of moving parts. Additional testing is also available. Please let us know your testing requirements.

Standard Shell Test: Hydro test at 1.5 times the rated body pressure, rounded up to next 25 psi increment.

- Zero allowable leakage

Standard Metal Seat Test: Hydro test at 15 psi (1 bar) and valve assembly's rated working pressure.

- Class IV or better (both directions)

Standard Resilient Seat Test: Hydro test at 15 psi (1 bar) and valve assembly's rated working pressure.

- Zero allowable leakage (both directions)

Flow Coefficients

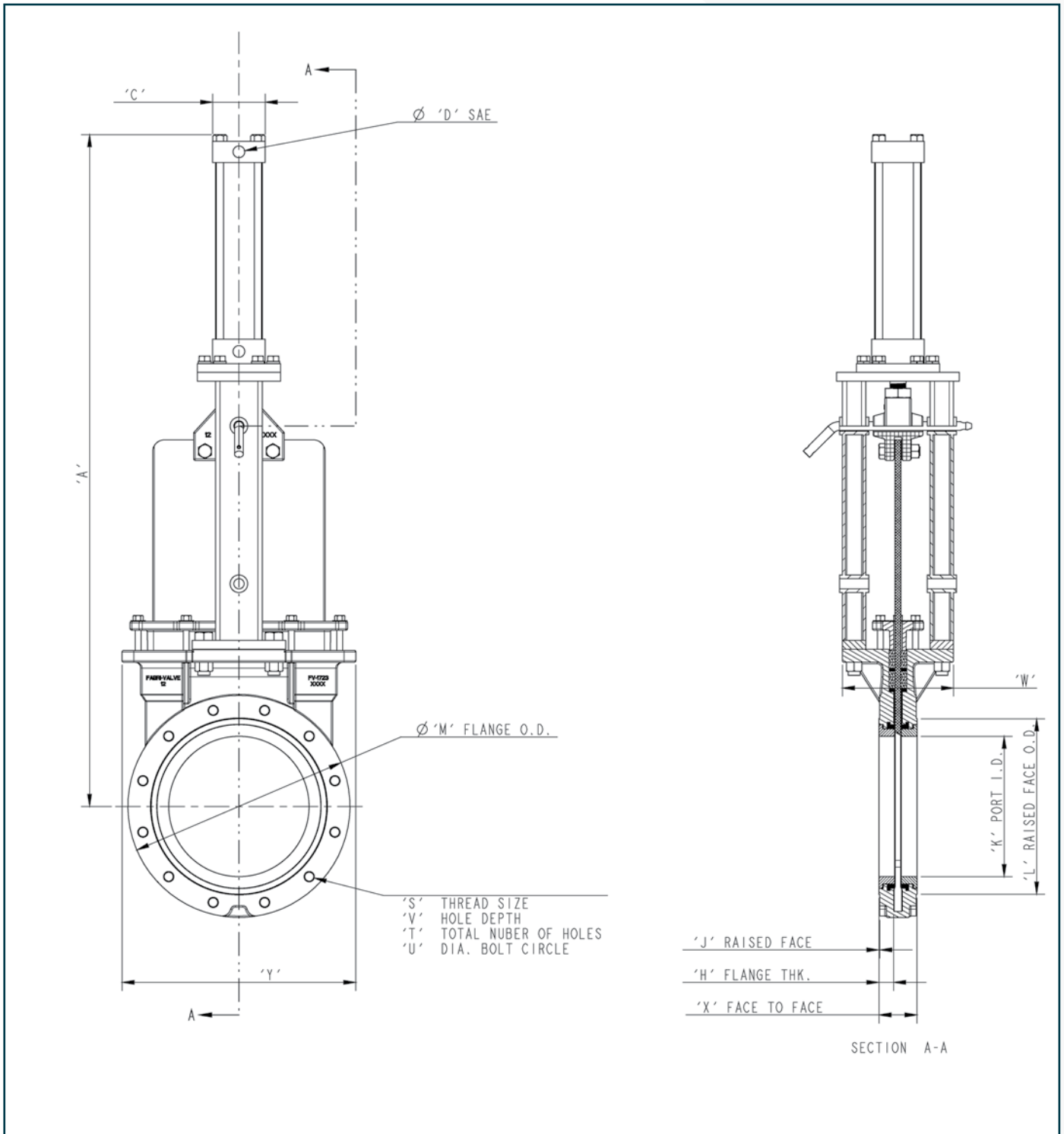
The Cv values at right represent the U.S. gallons per minute of 60°F water through a 100% open valve at a pressure drop of 1 psi. The metric equivalent, Kv, is the flow of water at 16°C through the valve in cubic meters per hour at a pressure drop of 1 kg/cm². To convert Cv to Kv, multiply the Cv by 0.8569.

Flow Data			
Valve Size		HD150 C _v	HD300 C _v
IN	DN		
6	50	2592	2592
8	200	4608	4608
10	250	7200	7200
12	300	10368	10368
14	350	12641	12641
16	400	16745	16745
18	450	21425	20808
20	500	26681	25992
24	600	38921	38088
26	650	45905	45000
28	700	53465	52488
30	750	61601	60552
36	900	89465	88200

Options

- Replaceable solid chrome carbide seats
- Bonnets
- Bevel gear actuators
- Electric actuators
- Pneumatic actuators
- Actuators (pneumatic & hydraulic) capable of service to -58°F (-50°C)
- Mechanical lock out pin
- Flush ports
- Alternate flange drilling
- Valve assembly low temperature rating from -58°F (-50°C)
- Limit switches
- Solenoids
- Positioners
- Doughnut flange for dead end service
- Rod boots

HD150 and HD300 with Hydraulic Cylinder



HD150: Refer to Table on page 6
 HD300: Refer to Table on page 7

Note: Drawings are provided for reference only. Certified drawings are available upon request.

Dimensions: HD150 with Hydraulic Cylinder

HD150 with Hydraulic Cylinder Dimensions in Inches (mm)												
Valve Size IN DN	'A'											
	1.5" CYL	2" CYL	2.5" CYL	3.25" CYL	4" CYL	5" CYL	6" CYL	7" CYL	8" CYL	10" CYL	12" CYL	14" CYL
6 150	39.47	40.03	40.16	41.28	-	-	-	-	-	-	-	-
	(1003)	(1017)	(1020)	(1049)	-	-	-	-	-	-	-	-
8 200	45.47	46.03	46.16	47.28	47.78	-	-	-	-	-	-	-
	(1155)	(1169)	(1172)	(1201)	(1214)	-	-	-	-	-	-	-
10 250	53.41	53.97	54.09	55.22	55.72	56.47	-	-	-	-	-	-
	(1357)	(1371)	(1374)	(1403)	(1415)	(1434)	-	-	-	-	-	-
12 300	-	55.94	56.55	57.43	57.65	58.52	60.02	-	-	-	-	-
	-	(1421)	(1436)	(1459)	(1464)	(1486)	(1525)	-	-	-	-	-
14 350	-	64.25	64.38	65.50	66.00	66.75	68.25	-	-	-	-	-
	-	(1632)	(1635)	(1664)	(1676)	(1695)	(1734)	-	-	-	-	-
16 400	-	67.81	68.42	69.30	69.52	70.39	71.89	73.08	-	-	-	-
	-	(1722)	(1738)	(1760)	(1766)	(1788)	(1826)	(1856)	-	-	-	-
18 450	-	-	75.97	76.84	77.06	77.94	79.44	80.63	81.75	-	-	-
	-	-	(1930)	(1952)	(1957)	(1980)	(2018)	(2048)	(2076)	-	-	-
20 500	-	-	81.60	82.47	82.69	83.57	85.07	86.26	87.38	89.57	-	-
	-	-	(2073)	(2095)	(2100)	(2123)	(2161)	(2191)	(2219)	(2275)	-	-
24 600	-	-	-	98.03	98.25	99.12	100.62	101.81	102.94	105.12	107.75	-
	-	-	-	(2490)	(2496)	(2518)	(2556)	(2586)	(2615)	(2670)	(2737)	-
26 650	-	-	-	105.33	105.55	106.43	107.93	109.11	110.24	112.43	115.05	-
	-	-	-	(2675)	(2681)	(2703)	(2741)	(2771)	(2800)	(2856)	(2922)	-
28 700	-	-	-	111.16	111.37	112.25	113.75	114.94	116.06	118.25	120.87	-
	-	-	-	-	(2829)	(2851)	(2889)	(2919)	(2948)	(3004)	(3070)	-
30 750	-	-	-	-	120.25	121.00	122.50	123.69	124.81	126.00	128.63	131.19
	-	-	-	-	(3054)	(3073)	(3112)	(3142)	(3170)	(3200)	(3267)	(3332)
36 900	-	-	-	-	138.75	139.50	141.00	142.19	143.31	144.50	147.13	149.69
	-	-	-	-	(3524)	(3543)	(3581)	(3612)	(3640)	(3670)	(3737)	(3802)

'C'												
1.5" CYL	2" CYL	2.5" CYL	3.25" CYL	4" CYL	5" CYL	6" CYL	7" CYL	8" CYL	10" CYL	12" CYL	14" CYL	
2.50	3.00	3.50	4.50	5.00	6.50	7.50	8.50	9.50	12.63	14.88	17.25	
(64)	(76)	(89)	(114)	(127)	(165)	(191)	(216)	(241)	(321)	(378)	(438)	

'D (SAE)'												
1.5" CYL	2" CYL	2.5" CYL	3.25" CYL	4" CYL	5" CYL	6" CYL	7" CYL	8" CYL	10" CYL	12" CYL	14" CYL	
3/4-16	3/4-16	3/4-16	1 1/16-12	1 1/16-12	1 1/16-12	1 3/16-12	1 5/8-12	1 7/8-12	1 7/8-12	CF	CF	

Valve Size IN DN	'H'	'J'	'K'	'L'	'M'	'S'	'T'	'U'	'V'	'W'	'X'	'Y'
6 150	1.00	0.06	6	8.50	11.00	3/4 -10 UNC	8	9.50	0.75	9.75	2.50	10.75
	(25)	(2)	(152)	(216)	(279)			(241)	(19)	(248)	(64)	(273)
8 200	1.13	0.06	8	10.62	13.50	3/4 -10 UNC	8	11.75	0.75	10.38	2.88	13.44
	(29)	(2)	(203)	(270)	(343)			(298)	(19)	(264)	(73)	(341)
10 250	1.19	0.06	10	12.75	16.00	7/8 - 9 UNC	12	14.25	0.88	10.50	3.13	16.38
	(30)	(2)	(254)	(324)	(406)			(362)	(22)	(267)	(80)	(416)
12 300	1.25	0.06	12	15.00	19.00	7/8 - 7 UNC	12	17.00	0.88	9.50	3.25	20.00
	(32)	(2)	(305)	(381)	(483)			(432)	(22)	(241)	(83)	(508)
14 350	1.38	0.06	13.25	16.25	21.00	1 - 8 UN	12	18.75	1.00	11.25	3.63	21.25
	(35)	(2)	(337)	(413)	(533)			(476)	(25)	(286)	(92)	(540)
16 400	1.44	0.06	15.25	18.50	23.50	1 - 8 UN8	16	21.25	1.00	11.75	3.75	23.75
	(37)	(2)	(387)	(470)	(597)			(540)	(25)	(298)	(95)	(603)
18 450	1.56	0.06	17.25	21.00	25.00	1 1/8 - 8 UN8	16	22.75	1.13	11.75	4.13	26.00
	(40)	(2)	(438)	(533)	(635)			(578)	(29)	(298)	(105)	(660)
20 500	1.69	0.06	19.25	23.00	27.50	1 1/8 - 8 UN8	20	25.00	1.13	14.00	4.50	29.50
	(43)	(2)	(489)	(584)	(699)			(635)	(29)	(356)	(114)	(749)
24 600	1.88	0.06	23.25	27.25	32.00	1 1/4 - 8 UN8	20	29.50	1.25	14.50	5.00	36.00
	(48)	(2)	(591)	(692)	(813)			(749)	(32)	(368)	(127)	(914)
26 650	2.69	0.06	25.25	29.50	34.25	1 1/4 - 8 UN8	24	31.75	1.25	20.00	6.75	38.00
	(68)	(2)	(641)	(749)	(870)			(806)	(32)	(508)	(171)	(965)
28 700	2.81	0.06	27.25	31.50	36.50	1 1/4 - 8 UN8	28	34.00	1.25	21.00	7.13	46.00
	(71)	(2)	(692)	(800)	(927)			(864)	(32)	(533)	(181)	(1168)
30 750	2.94	0.06	29.25	33.75	38.75	1 1/4 - 8 UN	28	36.00	1.50	19.13	7.38	43.94
	(75)	(2)	(743)	(857)	(984)			(914)	(38)	(486)	(187)	(1116)
36 900	3.56	0.06	35.25	40.25	46.00	1 1/2 - 8 UN	32	42.75	1.75	22.38	8.88	53.75
	(90)	(2)	(895)	(1022)	(1168)			(1086)	(44)	(568)	(226)	(1365)

Reference dimensions in (parentheses)

Dimensions: HD300 with Hydraulic Cylinder

HD300 with Hydraulic Cylinder Dimensions in Inches (mm)													
Valve Size IN	DN	'A'											
		1.5" CYL	2" CYL	2.5" CYL	3.25" CYL	4" CYL	5" CYL	6" CYL	7" CYL	8" CYL	10" CYL	12" CYL	14" CYL
6	150	42.44	43.00	43.13	44.25	44.75	45.50	-	-	-	-	-	-
		(1.078)	(1092)	(1096)	(1124)	(1137)	(1156)	-	-	-	-	-	-
8	200	-	48.94	49.06	50.19	50.69	51.44	52.94	-	-	-	-	-
		-	(1243)	(1246)	(1275)	(1288)	(1307)	(1345)	-	-	-	-	-
10	250	-	-	56.06	57.19	57.69	58.44	59.94	61.13	62.25	-	-	-
		-	-	(1424)	(1453)	(1465)	(1484)	(1522)	(1553)	(1581)	-	-	-
12	300	-	-	-	64.56	65.06	65.81	67.31	68.50	69.63	-	-	-
		-	-	-	(1640)	(1653)	(1672)	(1710)	(1740)	(1769)	-	-	-
14	350	-	-	-	68.31	68.81	69.56	71.06	72.25	73.38	74.56	-	-
		-	-	-	(1735)	(1748)	(1767)	(1805)	(1835)	(1864)	(1894)	-	-
16	400	-	-	-	-	77.19	77.94	79.44	80.63	81.75	82.94	85.56	-
		-	-	-	-	(1961)	(1980)	(2018)	(2048)	(2076)	(2107)	(2173)	-
18	450	-	-	-	-	82.31	83.06	84.56	85.75	86.88	88.06	90.69	93.25
		-	-	-	-	(2091)	(2110)	(2148)	(2178)	(2207)	(2237)	(2304)	(2369)
20	500	-	-	-	-	-	89.75	91.25	92.44	93.56	94.75	97.38	99.94
		-	-	-	-	-	(2280)	(2318)	(2348)	(2376)	(2407)	(2473)	(2538)
24	600	-	-	-	-	-	103.69	105.19	106.38	107.50	108.69	111.31	113.88
		-	-	-	-	-	(2634)	(2672)	(2702)	(2731)	(2761)	(2827)	(2893)
26	650	-	-	-	-	-	-	113.94	115.13	116.25	117.44	120.06	122.63
		-	-	-	-	-	(2894)	(2924)	(2953)	(2983)	(3050)	(3115)	
28	700	-	-	-	-	-	-	-	120.50	121.63	122.81	125.44	128.00
		-	-	-	-	-	-	-	(3061)	(3089)	(3119)	(3186)	(3251)
30	750	-	-	-	-	-	-	-	126.34	127.47	128.66	131.28	133.84
		-	-	-	-	-	-	-	(3209)	(3238)	(3268)	(3335)	(3400)
36	900	-	-	-	-	-	-	-	-	146.59	147.78	150.41	152.97
		-	-	-	-	-	-	-	-	(3723)	(3754)	(3820)	(3885)

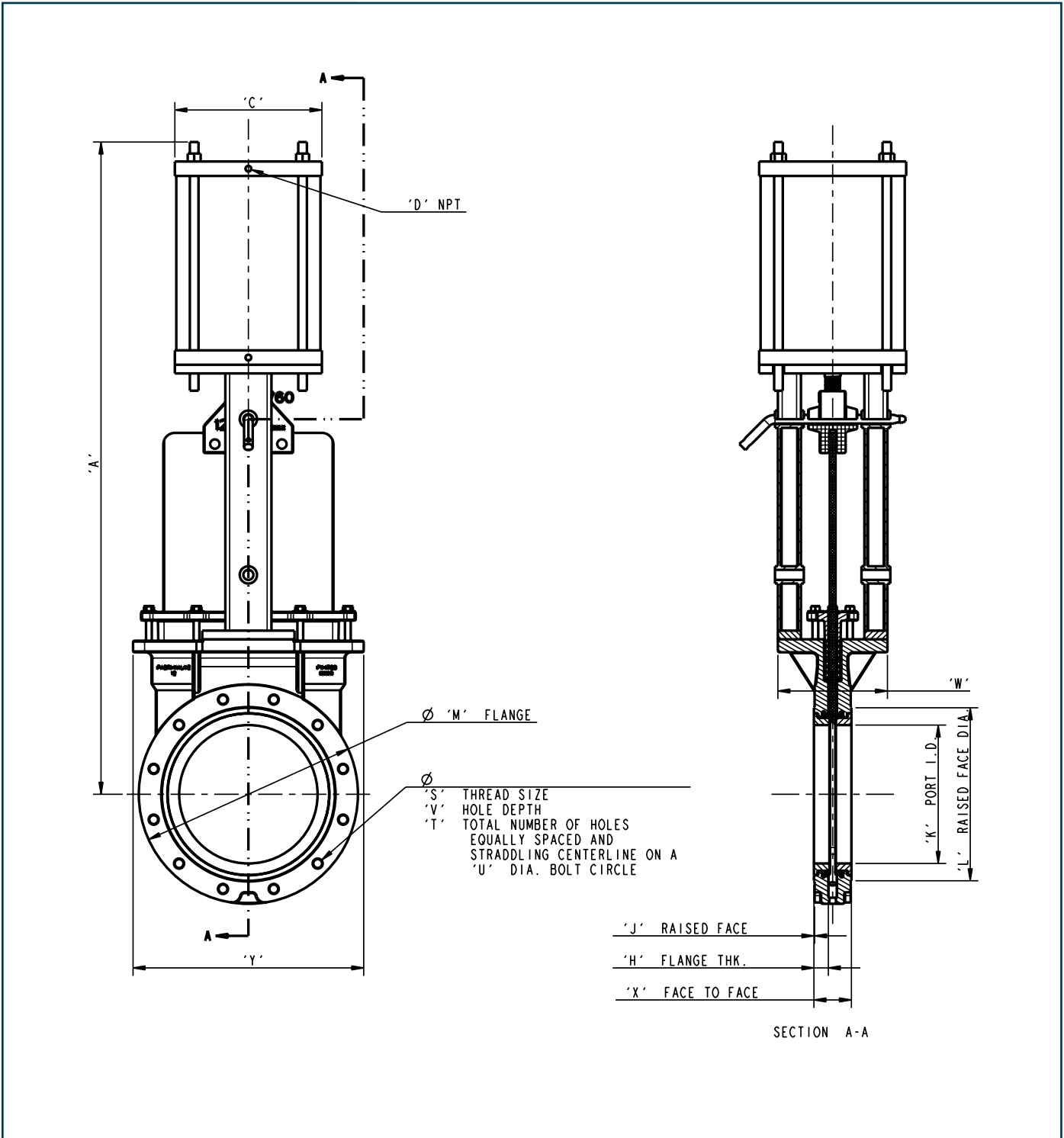
'C'												
1.5" CYL	2" CYL	2.5" CYL	3.25" CYL	4" CYL	5" CYL	6" CYL	7" CYL	8" CYL	10" CYL	12" CYL	14" CYL	
2.50	3.00	3.50	4.50	5.00	6.50	7.50	8.50	9.50	12.63	14.88	17.25	
(64)	(76)	(89)	(114)	(127)	(165)	(191)	(216)	(241)	(321)	(378)	(438)	

'D (SAE)'												
1.5" CYL	2" CYL	2.5" CYL	3.25" CYL	4" CYL	5" CYL	6" CYL	7" CYL	8" CYL	10" CYL	12" CYL	14" CYL	
3/4-16	3/4-16	3/4-16	1 1/16-12	1 1/16-12	1 1/16-12	1 3/16-12	1 5/8-12	1 7/8-12	1 7/8-12	CF	CF	

Valve Size IN	DN	'H'	'J'	'K'	'L'	'M'	'S'	'T'	'U'	'V'	'W'	'X'	'Y'
		6	150	1.63	0.06	6	8.50	12.50	3/4 - 10 UNC	12	10.62	1.00	10.13
		(41)	(2)	(152)	(216)	(318)	(270)	(25)			(257)	(105)	(319)
8	200	1.88	0.06	8	10.62	15.00	7/8 - 9 UNC	12	13.00	1.13	10.63	4.63	15.81
		(48)	(2)	(203)	(270)	(381)			(330)	(29)	(270)	(118)	(402)
10	250	2.13	0.06	10	12.75	17.50	1 - 8 UN	16	15.25	1.25	11.63	5.38	19.13
		(54)	(2)	(254)	(324)	(445)			(387)	(32)	(295)	(137)	(486)
12	300	2.25	0.06	12	15.00	20.50	1 1/8 - 8 UN	16	17.75	1.38	13.00	5.63	22.63
		(57)	(2)	(305)	(381)	(521)			(451)	(35)	(330)	(143)	(575)
14	350	2.56	0.06	13.25	16.25	23.00	1 1/8 - 8 UN	20	20.25	1.38	13.75	6.25	24.56
		(65)	(2)	(337)	(413)	(584)			(514)	(35)	(349)	(159)	(624)
16	400	2.66	0.06	15.25	18.50	25.50	1 1/4 - 8 UN	20	22.50	1.50	15.44	6.63	28.50
		(68)	(2)	(387)	(470)	(648)			(572)	(38)	(392)	(168)	(724)
18	450	2.72	0.06	17	21.00	28.00	1 1/4 - 8 UN	24	24.75	1.50	16.69	7.00	31.50
		(69)	(2)	(431)	(533)	(711)			(629)	(38)	(424)	(178)	(800)
20	500	2.84	0.06	19	23.00	30.50	1 1/4 - 8 UN	24	27.00	1.50	17.81	7.38	34.88
		(72)	(2)	(483)	(584)	(775)			(686)	(38)	(452)	(187)	(886)
24	600	3.22	0.06	23	27.25	36.00	1 1/2 - 8 UN	24	32.00	1.75	20.56	8.38	42.25
		(82)	(2)	(584)	(692)	(914)			(813)	(44)	(522)	(213)	(1073)
26	650	3.16	0.06	25	29.50	38.25	1 5/8 - 8 UN	28	34.50	1.88	24.81	8.50	45.63
		(80)	(2)	(635)	(749)	(972)			(876)	(48)	(630)	(216)	(1159)
28	700	3.91	0.06	27	31.50	40.75	1 5/8 - 8 UN	28	37.00	1.88	24.81	10.00	48.88
		(99)	(2)	(686)	(800)	(1035)			(940)	(48)	(630)	(254)	(1242)
30	750	4.03	0.06	29	33.75	43.00	1 3/4 - 8 UN	28	39.25	2.00	25.06	10.50	52.44
		(102)	(2)	(737)	(857)	(1092)			(997)	(51)	(637)	(267)	(1332)
36	900	4.66	0.06	35	40.25	50.00	2 - 8 UN	32	46.00	2.25	27.31	12.00	62.44
		(118)	(2)	(889)	(1022)	(1270)			(1168)	(57)	(694)	(305)	(1586)

Reference dimensions in (parentheses)

HD150 and HD300 with Pneumatic Cylinder



HD150: Refer to Table on page 9
 HD300: Refer to Table on page 10

Note: Drawings are provided for reference only. Certified drawings are available upon request.

Dimensions: HD150 with Pneumatic Cylinder

HD150 with Pneumatic Cylinder Dimensions in Inches (mm)													
Valve Size IN DN	'A'												
	5" CYL	6" CYL	7" CYL	8" CYL	10" CYL	12" CYL	14" CYL	16" CYL	18" CYL	20" CYL	22" CYL	24" CYL	
6	150	36.41	36.66	37.03	37.03	37.78	37.78	-	-	-	-	-	-
		(925)	(931)	(941)	(941)	(960)	(960)	-	-	-	-	-	-
8	200	-	42.66	43.03	43.03	43.78	43.78	44.53	-	-	-	-	-
		-	(1084)	(1093)	(1093)	(1112)	(1112)	(1131)	-	-	-	-	-
10	250	-	-	50.97	50.97	51.72	51.72	52.47	52.79	53.66	-	-	-
		-	-	(1295)	(1295)	(1314)	(1314)	(1333)	(1341)	(1363)	-	-	-
12	300	-	-	-	55.20	56.32	56.56	57.43	57.72	58.96	59.84	61.59	-
		-	-	-	(1402)	(1431)	(1437)	(1459)	(1466)	(1498)	(1520)	(1564)	-
14	350	-	-	-	-	61.75	61.75	62.50	62.82	63.69	64.56	65.56	66.56
		-	-	-	-	(1568)	(1568)	(1588)	(1596)	(1618)	(1640)	(1665)	(1691)
16	400	-	-	-	-	68.19	68.42	69.29	69.58	70.83	71.70	73.45	74.45
		-	-	-	-	(1732)	(1738)	(1760)	(1767)	(1799)	(1821)	(1866)	(1891)
18	450	-	-	-	-	75.74	75.97	76.84	77.13	78.38	79.25	81.00	82.00
		-	-	-	-	(1924)	(1930)	(1952)	(1959)	(1991)	(2013)	(2057)	(2083)
20	500	-	-	-	-	-	81.60	82.47	82.76	84.01	84.88	86.63	87.63
		-	-	-	-	-	(2073)	(2095)	(2102)	(2134)	(2156)	(2200)	(2226)
24	600	-	-	-	-	-	-	98.03	98.32	99.56	100.44	102.19	103.19
		-	-	-	-	-	-	(2490)	(2497)	(2529)	(2551)	(2596)	(2621)
26	650	-	-	-	-	-	-	105.33	105.62	106.86	107.74	109.49	110.49
		-	-	-	-	-	-	(2675)	(2683)	(2714)	(2737)	(2781)	(2806)
28	700	-	-	-	-	-	-	-	111.44	112.69	113.56	115.31	116.31
		-	-	-	-	-	-	-	(2831)	(2862)	(2884)	(2929)	(2954)
30	750	-	-	-	-	-	-	-	-	117.94	118.81	119.81	120.81
		-	-	-	-	-	-	-	-	(2996)	(3018)	(3043)	(3069)
36	900	-	-	-	-	-	-	-	-	-	137.31	138.31	139.31
		-	-	-	-	-	-	-	-	-	(3488)	(3513)	(3538)

'C'												
5" CYL	6" CYL	7" CYL	8" CYL	10" CYL	12" CYL	14" CYL	16" CYL	18" CYL	20" CYL	22" CYL	24" CYL	
5.50	6.50	8.00	9.00	11.00	12.75	14.75	17.00	19.00	21.00	23.00	25.25	
(140)	(165)	(203)	(229)	(279)	(324)	(375)	(432)	(483)	(533)	(584)	(641)	

'D (NPT)'												
5" CYL	6" CYL	7" CYL	8" CYL	10" CYL	12" CYL	14" CYL	16" CYL	18" CYL	20" CYL	22" CYL	24" CYL	
.38"-18	.38"-18	.38"-18	.38"-18	.50"-14	.50"-14	.75"-14	.75"-14	.75"-14	.75"-14	.75"-14	.75"-14	

Valve Size IN DN	'H'	'J'	'K'	'L'	'M'	'S'	'T'	'U'	'V'	'W'	'X'	'Y'	
													6
		(25)	(2)	(152)	(216)	(279)			(241)	(19)	(248)	(64)	(273)
8	200	1.13	0.06	8.00	10.62	13.50	3/4 - 10 UNC	8	11.75	0.75	10.38	2.88	13.44
		(29)	(2)	(203)	(270)	(343)			(298)	(19)	(264)	(73)	(341)
10	250	1.19	0.06	10.00	12.75	16.00	7/8 - 9 UNC	12	14.25	0.88	10.50	3.13	16.38
		(30)	(2)	(254)	(324)	(406)			(362)	(22)	(267)	(80)	(416)
12	300	1.25	0.06	12.00	15.00	19.00	7/8 - 7 UNC	12	17.00	0.88	9.50	3.25	20.00
		(32)	(2)	(305)	(381)	(483)			(432)	(22)	(241)	(83)	(508)
14	350	1.38	0.06	13.25	16.25	21.00	1 - 8 UN	12	18.75	1.00	11.25	3.63	21.25
		(35)	(2)	(337)	(413)	(533)			(476)	(25)	(286)	(92)	(540)
16	400	1.44	0.06	15.25	18.50	23.50	1 - 8 UN8	16	21.25	1.00	11.75	3.75	23.75
		(37)	(2)	(387)	(470)	(597)			(540)	(25)	(298)	(95)	(603)
18	450	1.56	0.06	17.25	21.00	25.00	1 1/8 - 8 UN8	16	22.75	1.13	11.75	4.13	26.00
		(40)	(2)	(438)	(533)	(635)			(578)	(29)	(298)	(105)	(660)
20	500	1.69	0.06	19.25	23.00	27.50	1 1/8 - 8 UN8	20	25.00	1.13	14.00	4.50	29.50
		(43)	(2)	(489)	(584)	(699)			(635)	(29)	(356)	(114)	(749)
24	600	1.88	0.06	23.25	27.25	32.00	1 1/4 - 8 UN8	20	29.50	1.25	14.50	5.00	36.00
		(48)	(2)	(591)	(692)	(813)			(749)	(32)	(368)	(127)	(914)
26	650	2.69	0.06	25.25	29.50	34.25	1 1/4 - 8 UN8	24	31.75	1.25	20.00	6.75	38.00
		(68)	(2)	(641)	(749)	(870)			(806)	(32)	(508)	(171)	(965)
28	700	2.81	0.06	27.25	31.50	36.50	1 1/4 - 8 UN8	28	34.00	1.25	21.00	7.13	46.00
		(71)	(2)	(692)	(800)	(927)			(864)	(32)	(533)	(181)	(1168)
30	750	2.94	0.06	29.25	33.75	38.75	1 1/4 - 8 UN	28	36.00	1.50	19.13	7.38	43.94
		(75)	(2)	(743)	(857)	(984)			(914)	(38)	(486)	(187)	(1116)
36	900	3.56	0.06	35.25	40.25	46.00	1 1/2 - 8 UN	32	42.75	1.75	22.38	8.88	53.75
		(90)	(2)	(947)	(1022)	(1168)			(1086)	(44)	(568)	(226)	(1365)

Reference dimensions in (parentheses)

Dimensions: HD300 with Pneumatic Cylinder

HD300 with Pneumatic Cylinder Dimensions in Inches (mm)										
Valve Size IN DN	'A'									
	8" CYL	10" CYL	12" CYL	14" CYL	16" CYL	18" CYL	20" CYL	22" CYL	24" CYL	
6 150	40.00	40.75	40.75	41.50	41.82	42.69	-	-	-	
	(1016)	(1035)	(1035)	(1054)	(1062)	(1084)	-	-	-	
8 200	-	46.69	46.69	47.44	47.76	48.63	49.50	50.50	51.50	
	-	(1186)	(1186)	(1205)	(1213)	(1235)	(1257)	(1283)	(1308)	
10 250	-	-	53.44	54.19	54.51	55.38	56.25	57.25	58.25	
	-	-	(1357)	(1376)	(1385)	(1407)	(1429)	(1454)	(1480)	
12 300	-	-	-	61.56	61.88	62.75	63.62	64.62	65.62	
	-	-	-	(1564)	(1572)	(1594)	(1616)	(1641)	(1667)	
14 350	-	-	-	-	65.63	66.50	67.37	68.37	69.37	
	-	-	-	-	(1667)	(1689)	(1711)	(1737)	(1762)	
16 400	-	-	-	-	-	74.88	75.75	76.75	77.75	
	-	-	-	-	-	(1902)	(1924)	(1949)	(1975)	
18 450	-	-	-	-	-	-	80.87	81.87	82.87	
	-	-	-	-	-	-	(2054)	(2079)	(2105)	
20 500	-	-	-	-	-	-	87.56	88.56	89.56	
	-	-	-	-	-	-	(2224)	(2249)	(2275)	
24 600	-	-	-	-	-	-	-	-	103.50	
	-	-	-	-	-	-	-	-	(2629)	
26 650	-	-	-	-	-	-	-	-	-	
	-	-	-	-	-	-	-	-	-	
28 700	-	-	-	-	-	-	-	-	-	
	-	-	-	-	-	-	-	-	-	
30 750	-	-	-	-	-	-	-	-	-	
	-	-	-	-	-	-	-	-	-	
36 900	-	-	-	-	-	-	-	-	-	
	-	-	-	-	-	-	-	-	-	

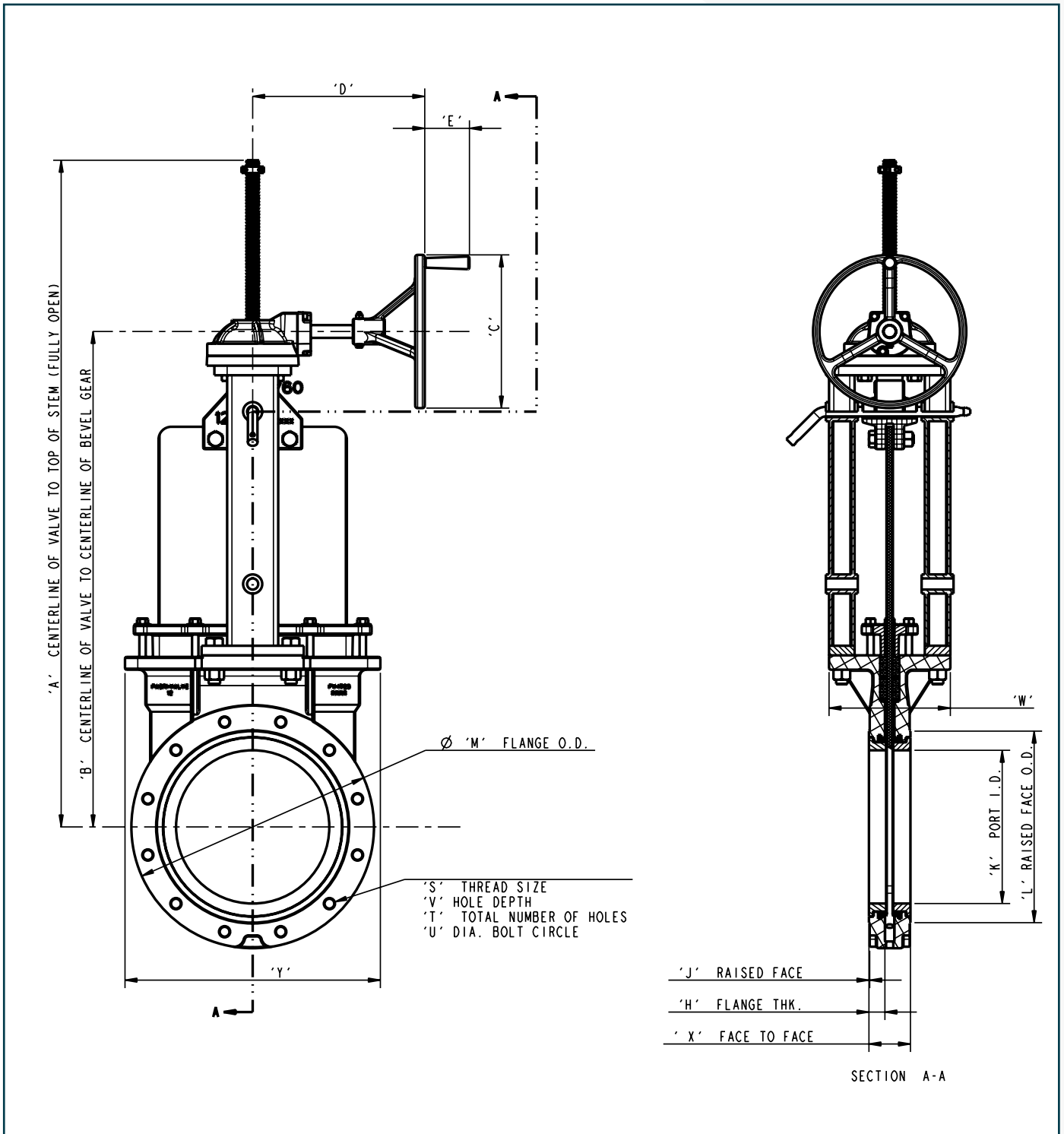
'C'									
8" CYL	10" CYL	12" CYL	14" CYL	16" CYL	18" CYL	20" CYL	22" CYL	24" CYL	
5.50	6.50	8.00	9.00	11.00	12.75	14.75	17.00	19.00	
(140)	(165)	(203)	(229)	(279)	(324)	(375)	(432)	(483)	

'D (NPT)'									
8" CYL	10" CYL	12" CYL	14" CYL	16" CYL	18" CYL	20" CYL	22" CYL	24" CYL	
.38"-18	.38"-18	.38"-18	.38"-18	.50"-14	.50"-14	.75"-14	.75"-14	.75"-14	

Valve Size IN DN	'H'	'J'	'K'	'L'	'M'	'S'	'T'	'U'	'V'	'W'	'X'	'Y'
6 150	1.63	0.06	6.00	8.50	12.50	3/4 - 10 UNC	12	10.62	1.00	10.13	4.13	12.56
	(41)	(2)	(152)	(216)	(318)			(270)	(25)	(257)	(105)	(319)
8 200	1.88	0.06	8.00	10.62	15.00	7/8 - 9 UNC	12	13.00	1.13	10.63	4.63	15.81
	(48)	(2)	(203)	(270)	(381)			(330)	(29)	(270)	(118)	(402)
10 250	2.13	0.06	10.00	12.75	17.50	1 - 8 UN	16	15.25	1.25	11.63	5.38	19.13
	(54)	(2)	(254)	(324)	(445)			(387)	(32)	(295)	(137)	(486)
12 300	2.25	0.06	12.00	15.00	20.50	1 1/8 - 8 UN	16	17.75	1.38	13.00	5.63	22.63
	(57)	(2)	(305)	(381)	(521)			(451)	(35)	(330)	(143)	(575)
14 350	2.56	0.06	13.25	16.25	23.00	1 1/8 - 8 UN	20	20.25	1.38	13.75	6.25	24.56
	(65)	(2)	(337)	(413)	(584)			(514)	(35)	(349)	(159)	(624)
16 400	2.66	0.06	15.25	18.50	25.50	1 1/4 - 8 UN	20	22.50	1.50	15.44	6.63	28.50
	(68)	(2)	(387)	(470)	(648)			(572)	(38)	(392)	(168)	(724)
18 150	2.72	0.06	17.00	21.00	28.00	1 1/4 - 8 UN	24	24.75	1.50	16.69	7.00	31.50
	(69)	(2)	(432)	(533)	(711)			(629)	(38)	(424)	(178)	(800)
20 500	2.84	0.06	19.00	23.00	30.50	1 1/4 - 8 UN	24	27.00	1.50	17.81	7.38	34.88
	(72)	(2)	(483)	(584)	(775)			(686)	(38)	(452)	(187)	(886)
24 600	3.22	0.06	23.00	27.25	36.00	1 1/2 - 8 UN	24	32.00	1.75	20.56	8.38	42.25
	(82)	(2)	(584)	(692)	(914)			(813)	(44)	(522)	(213)	(1073)
26 650	3.16	0.06	25.00	29.50	38.25	1 5/8 - 8 UN	28	34.50	1.88	24.81	8.50	45.63
	(80)	(2)	(635)	(749)	(972)			(876)	(48)	(630)	(216)	(1159)
28 700	3.91	0.06	27.00	31.50	40.75	1 5/8 - 8 UN	28	37.00	1.88	24.81	10.00	48.88
	(99)	(2)	(686)	(800)	(1035)			(940)	(48)	(630)	(254)	(1242)
30 750	4.03	0.06	29.00	33.75	43.00	1 3/4 - 8 UN	28	39.25	2.00	25.06	10.50	52.44
	(102)	(2)	(737)	(857)	(1092)			(997)	(51)	(637)	(267)	(1332)
36 900	4.66	0.06	35.00	40.25	50.00	2 - 8 UN	32	46.00	2.25	27.31	12.00	62.44
	(118)	(2)	(889)	(1022)	(1270)			(1168)	(57)	(694)	(305)	(1586)

Reference dimensions in (parentheses)

HD150 and HD300 with Bevel Gear



HD150: Refer to Tables on pages 12 & 13
 HD300: Refer to Tables on pages 14 & 15

Note: Drawings are provided for reference only. Certified drawings are available upon request.

Dimensions: HD150 with Bevel Gear

HD150 with Bevel Gear Dimensions in Inches (mm)														
' A '														
Valve Size	BG3	BG3	BG34	BG4	BG4	BG4	BG44	BG44	BG44GT	BG44GT	BG46GT	BG624	BG626	BG64
IN DN	w/12"HW	w/24"HW	w/12"HW	w/12"HW	w/18"HW	w/24"HW	w/12"HW	w/18"HW	w/18"HW	w/24"HW	w/24"HW	w/24"HW	w/24"HW	w/36"HW
6	150	38.66 (982)	-	-	-	-	-	-	-	-	-	-	-	-
8	200	44.66 (1134)	-	-	-	-	-	-	-	-	-	-	-	-
10	250	52.66 (1338)	-	-	-	-	-	-	-	-	-	-	-	-
12	300	52.21 (1326)	52.21 (1326)	-	-	-	-	-	-	-	-	-	-	-
14	350	62.88 (1597)	62.88 (1597)	-	-	-	64.66 (1642)	-	-	-	-	-	-	-
16	400	-	64.14 (1629)	64.14 (1629)	63.27 (1607)	63.27 (1607)	63.27 (1607)	63.27 (1607)	-	-	-	-	-	-
18	450	-	71.69 (1821)	71.69 (1821)	70.81 (1799)	70.81 (1799)	70.81 (1799)	70.81 (1799)	-	-	-	-	-	-
20	500	-	-	77.44 (1967)	76.57 (1945)	76.57 (1945)	76.57 (1945)	76.57 (1945)	-	76.57 (1945)	-	-	-	-
24	600	-	-	-	-	92.19 (2342)	92.19 (2342)	92.19 (2342)	-	92.19 (2342)	92.19 (2342)	-	-	-
26	650	-	-	-	-	99.49 (2527)	99.49 (2527)	99.49 (2527)	-	99.49 (2527)	99.49 (2527)	99.49 (2527)	-	-
28	700	-	-	-	-	-	105.31 (2675)	105.31 (2675)	-	105.31 (2675)	105.31 (2675)	105.31 (2675)	-	-
30	750	-	-	-	-	-	-	118.91 (3020)	118.91 (3020)	118.91 (3020)	118.91 (3020)	118.91 (3020)	-	120.16 (3052)
36	900	-	-	-	-	-	-	-	137.41 (3490)	137.41 (3490)	137.41 (3490)	137.41 (3490)	138.66 (3522)	138.66 (3522)

' B '														
Valve Size	BG3	BG3	BG34	BG4	BG4	BG4	BG44	BG44	BG44GT	BG44GT	BG46GT	BG624	BG626	BG64
IN DN	w/12"HW	w/24"HW	w/12"HW	w/12"HW	w/18"HW	w/24"HW	w/12"HW	w/18"HW	w/18"HW	w/24"HW	w/24"HW	w/24"HW	w/24"HW	w/36"HW
6	150	29.68 (754)	-	-	-	-	-	-	-	-	-	-	-	-
8	200	33.56 (852)	-	-	-	-	-	-	-	-	-	-	-	-
10	250	39.34 (999)	-	-	-	-	-	-	-	-	-	-	-	-
12	300	38.80 (986)	38.80 (986)	-	-	-	-	-	-	-	-	-	-	-
14	350	45.99 (1168)	45.99 (1168)	-	-	-	46.54 (1182)	-	-	-	-	-	-	-
16	400	-	47.36 (1203)	50.24 (1276)	48.02 (1220)	48.02 (1220)	48.02 (1220)	50.89 (1293)	-	-	-	-	-	-
18	450	-	52.84 (1342)	55.72 (1415)	53.51 (1359)	53.51 (1359)	53.51 (1359)	56.38 (1432)	-	-	-	-	-	-
20	500	-	-	59.29 (1506)	57.07 (1450)	57.07 (1450)	57.07 (1450)	59.94 (1523)	-	59.94 (1523)	-	-	-	-
24	600	-	-	-	-	68.44 (1738)	68.44 (1738)	71.31 (1811)	-	71.31 (1811)	71.31 (1811)	-	-	-
26	650	-	-	-	-	73.62 (1870)	73.62 (1870)	76.49 (1943)	-	76.49 (1943)	76.49 (1943)	76.30 (1938)	-	-
28	700	-	-	-	-	-	77.38 (1965)	80.25 (2038)	-	80.25 (2038)	80.25 (2038)	80.06 (2033)	-	-
30	750	-	-	-	-	-	-	87.06 (2211)	87.06 (2211)	87.06 (2211)	87.06 (2211)	86.87 (2206)	-	88.75 (2254)
36	900	-	-	-	-	-	-	-	99.35 (2523)	99.35 (2523)	99.35 (2523)	99.16 (2519)	101.03 (2566)	100.85 (2562)

Reference dimensions in (parentheses)

Dimensions: HD150 with Bevel Gear

HD150 with Bevel Gear Dimensions in Inches (mm) Continued													
'C'													
BG3 w/12"HW	BG3 w/24"HW	BG34 w/12"HW	BG4 w/12"HW	BG4 w/18"HW	BG4 w/24"HW	BG44 w/12"HW	BG44 w/18"HW	BG44GT w/18"HW	BG44GT w/24"HW	BG46GT w/24"HW	BG624 w/24"HW	BG626 w/24"HW	BG64 w/36"HW
12.00	24.00	12.00	12.00	18.00	24.00	12.00	18.00	18.00	24.00	24.00	24.00	24.00	36.00
(305)	(610)	(305)	(305)	(457)	(610)	(305)	(457)	(457)	(610)	(610)	(610)	(610)	(914)

'D'													
BG3 w/12"HW	BG3 w/24"HW	BG34 w/12"HW	BG4 w/12"HW	BG4 w/18"HW	BG4 w/24"HW	BG44 w/12"HW	BG44 w/18"HW	BG44GT w/18"HW	BG44GT w/24"HW	BG46GT w/24"HW	BG624 w/24"HW	BG626 w/24"HW	BG64 w/36"HW
13.47	17.09	17.88	16.11	17.23	19.73	20.70	21.82	21.82	24.32	24.32	26.44	26.44	27.32
(342)	(434)	(454)	(409)	(438)	(501)	(526)	(554)	(554)	(618)	(618)	(672)	(672)	(694)

'E'													
BG3 w/12"HW	BG3 w/24"HW	BG34 w/12"HW	BG4 w/12"HW	BG4 w/18"HW	BG4 w/24"HW	BG44 w/12"HW	BG44 w/18"HW	BG44GT w/18"HW	BG44GT w/24"HW	BG46GT w/24"HW	BG624 w/24"HW	BG626 w/24"HW	BG64 w/36"HW
3.50	6.50	3.50	3.50	6.50	6.50	3.50	6.50	6.50	6.50	6.50	6.50	6.50	6.50
(89)	(165)	(89)	(89)	(165)	(165)	(89)	(165)	(165)	(165)	(165)	(165)	(165)	(165)

Valve Size IN	DN	'H'	'J'	'K'	'L'	'M'	'S'	'T'	'U'	'V'	'W'	'X'	'Y'
6	150	1.00	0.06	6.00	8.50	11.00	3/4 - 10 UNC	8	9.50	0.75	9.75	2.50	10.75
		(25)	(2)	(152)	(216)	(279)			(241)	(19)	(248)	(64)	(273)
8	200	1.13	0.06	8.00	10.62	13.50	3/4 - 10 UNC	8	11.75	0.75	10.38	2.88	13.44
		(29)	(2)	(203)	(270)	(343)			(298)	(19)	(264)	(73)	(341)
10	250	1.19	0.06	10.00	12.75	16.00	7/8 - 9 UNC	12	14.25	0.88	10.50	3.13	16.38
		(30)	(2)	(254)	(324)	(406)			(362)	(22)	(267)	(80)	(416)
12	300	1.25	0.06	12.00	15.00	19.00	7/8 - 7 UNC	12	17.00	0.88	9.50	3.25	20.00
		(32)	(2)	(305)	(381)	(483)			(432)	(22)	(241)	(83)	(508)
14	350	1.38	0.06	13.25	16.25	21.00	1 - 8 UN	12	18.75	1.00	11.25	3.63	21.25
		(35)	(2)	(337)	(413)	(533)			(476)	(25)	(286)	(92)	(540)
16	400	1.44	0.06	15.25	18.50	23.50	1 - 8 UN8	16	21.25	1.00	11.75	3.75	23.75
		(37)	(2)	(387)	(470)	(597)			(540)	(25)	(298)	(95)	(603)
18	450	1.56	0.06	17.25	21.00	25.00	1 1/8 - 8 UN8	16	22.75	1.13	11.75	4.13	26.00
		(40)	(2)	(438)	(533)	(635)			(578)	(29)	(298)	(105)	(660)
20	500	1.69	0.06	19.25	23.00	27.50	1 1/8 - 8 UN8	20	25.00	1.13	14.00	4.50	29.50
		(43)	(2)	(489)	(584)	(699)			(635)	(29)	(356)	(114)	(749)
24	600	1.88	0.06	23.25	27.25	32.00	1 1/4 - 8 UN8	20	29.50	1.25	14.50	5.00	36.00
		(48)	(2)	(591)	(692)	(813)			(749)	(32)	(368)	(127)	(914)
26	650	2.69	0.06	25.25	29.50	34.25	1 1/4 - 8 UN8	24	31.75	1.25	20.00	6.75	38.00
		(68)	(2)	(641)	(749)	(870)			(806)	(32)	(508)	(171)	(965)
28	700	2.81	0.06	27.25	31.50	36.50	1 1/4 - 8 UN8	28	34.00	1.25	21.00	7.13	46.00
		(71)	(2)	(692)	(800)	(927)			(864)	(32)	(533)	(181)	(1168)
30	750	2.94	0.06	29.25	33.75	38.75	1 1/4 - 8 UN	28	36.00	1.50	19.13	7.38	43.94
		(75)	(2)	(743)	(857)	(984)			(914)	(38)	(486)	(187)	(1116)
36	900	3.56	0.06	35.25	40.25	46.00	1 1/2 - 8 UN	32	42.75	1.75	22.38	8.88	53.75
		(90)	(2)	(895)	(1022)	(1168)			(1086)	(44)	(568)	(226)	(1365)

Reference dimensions in (parentheses)

Dimensions: HD300 with Bevel Gear

HD300 with Bevel Gear Dimensions in Inches (mm)												
' A '												
Valve Size IN	DN	BG3 w/12"HW	BG3 w/24"HW	BG4 w/24"HW	BG34 w/12"HW	BG44 w/12"HW	BG44GT w/18"HW	BG44GT w/24"HW	BG46GT w/24"HW	BG64 w/36"HW	BG624 w/24"HW	BG626 w/24"HW
6	150	41.63 (1057)	-	-	-	-	-	-	-	-	-	-
8	200	47.57 (1208)	47.57 (1208)	-	-	-	-	-	-	-	-	-
10	250	54.38 (1381)	54.38 (1381)	56.16 (1426)	54.38 (1381)	56.16 (1426)	-	-	-	-	-	-
12	300	-	61.88 (1572)	63.66 (1617)	61.88 (1572)	63.66 (1617)	63.66 (1617)	-	-	-	-	-
14	350	-	-	67.48 (1714)	65.70 (1669)	67.48 (1714)	67.48 (1714)	67.48 (1714)	-	-	-	-
16	400	-	-	-	74.07 (1881)	75.85 (1927)	75.85 (1927)	75.85 (1927)	75.85 (1927)	-	-	-
18	450	-	-	-	-	80.98 (2057)	80.98 (2057)	80.98 (2057)	80.98 (2057)	82.23 (2089)	-	-
20	500	-	-	-	-	-	87.66 (2227)	87.66 (2227)	87.66 (2227)	88.91 (2258)	-	-
24	600	-	-	-	-	-	-	101.60 (2581)	101.60 (2581)	102.85 (2612)	102.85 (2612)	102.85 (2612)
26	650	-	-	-	-	-	-	-	109.60 (2784)	110.85 (2816)	110.85 (2816)	110.85 (2816)
28	700	-	-	-	-	-	-	-	114.98 (2920)	116.23 (2952)	116.23 (2952)	116.23 (2952)
30	750	-	-	-	-	-	-	-	-	122.07 (3101)	122.07 (3101)	122.07 (3101)
36	900	-	-	-	-	-	-	-	-	-	140.94 (3580)	140.94 (3580)

' B '												
Valve Size IN	DN	BG3 w/12"HW	BG3 w/24"HW	BG4 w/24"HW	BG34 w/12"HW	BG44 w/12"HW	BG44GT w/18"HW	BG44GT w/24"HW	BG46GT w/24"HW	BG64 w/36"HW	BG624 w/24"HW	BG626 w/24"HW
6	150	32.43 (824)	-	-	-	-	-	-	-	-	-	-
8	200	36.31 (922)	36.31 (922)	-	-	-	-	-	-	-	-	-
10	250	40.84 (1037)	40.84 (1037)	41.38 (1051)	43.71 (1110)	44.25 (1124)	-	-	-	-	-	-
12	300	-	46.15 (1172)	46.69 (1186)	49.02 (1245)	49.56 (1259)	49.56 (1259)	-	-	-	-	-
14	350	-	-	49.19 (1249)	51.52 (1309)	52.06 (1322)	52.06 (1322)	52.06 (1322)	-	-	-	-
16	400	-	-	-	57.74 (1467)	58.28 (1480)	58.28 (1480)	58.28 (1480)	58.09 (1475)	-	-	-
18	450	-	-	-	-	61.44 (1561)	61.44 (1561)	61.44 (1561)	61.25 (1556)	63.12 (1603)	-	-
20	500	-	-	-	-	-	66.13 (1680)	66.13 (1680)	65.94 (1675)	67.81 (1722)	-	-
24	600	-	-	-	-	-	-	75.88 (1927)	75.69 (1923)	77.56 (1970)	77.56 (1970)	77.38 (1965)
26	650	-	-	-	-	-	-	-	81.47 (2069)	83.34 (2117)	83.34 (2117)	83.16 (2112)
28	700	-	-	-	-	-	-	-	84.84 (2155)	86.72 (2203)	86.72 (2203)	86.54 (2198)
30	750	-	-	-	-	-	-	-	-	90.34 (2295)	90.34 (2295)	90.16 (2290)
36	900	-	-	-	-	-	-	-	-	-	103.28 (2623)	103.10 (2619)

Reference dimensions in (parentheses)

Dimensions: HD300 with Bevel Gear

HD300 with Bevel Gear Dimensions in Inches (mm) continued										
'C'										
BG3 w/12"HW	BG3 w/24"HW	BG4 w/24"HW	BG34 w/12"HW	BG44 w/12"HW	BG44GT w/18"HW	BG44GT w/24"HW	BG46GT w/24"HW	BG64 w/36"HW	BG624 w/24"HW	BG626 w/24"HW
12.00	24.00	24.00	12.00	12.00	18.00	24.00	24.00	36.00	24.00	24.00
(305)	(610)	(610)	(305)	(305)	(457)	(610)	(610)	(914)	(610)	(610)

'D'										
BG3 w/12"HW	BG3 w/24"HW	BG4 w/24"HW	BG34 w/12"HW	BG44 w/12"HW	BG44GT w/18"HW	BG44GT w/24"HW	BG46GT w/24"HW	BG64 w/36"HW	BG624 w/24"HW	BG626 w/24"HW
13.47	17.09	19.73	17.88	20.70	21.82	24.32	24.32	27.32	26.44	26.44
(342)	(434)	(501)	(454)	(526)	(554)	(618)	(618)	(694)	(672)	(672)

'E'										
BG3 w/12"HW	BG3 w/24"HW	BG4 w/24"HW	BG34 w/12"HW	BG44 w/12"HW	BG44GT w/18"HW	BG44GT w/24"HW	BG46GT w/24"HW	BG64 w/36"HW	BG624 w/24"HW	BG626 w/24"HW
3.50	6.50	6.50	3.50	3.50	6.50	6.50	6.50	6.50	6.50	6.50
(89)	(165)	(165)	(89)	(89)	(165)	(165)	(165)	(165)	(165)	(165)

Valve Size IN	DN	'H'	'J'	'K'	'L'	'M'	'S'	'T'	'U'	'V'	'W'	'X'	'Y'
6	100	1.63	0.06	6.00	8.50	12.50	3/4 - 10 UNC	12	10.62	1.00	10.13	4.13	12.56
		(41)	(2)	(152)	(216)	(318)			(270)	(25)	(257)	(105)	(319)
8	200	1.88	0.06	8.00	10.62	15.00	7/8 - 9 UNC	12	13.00	1.13	10.63	4.63	15.81
		(48)	(2)	(203)	(270)	(381)			(330)	(29)	(270)	(118)	(402)
10	250	2.13	0.06	10.00	12.75	17.50	1 - 8 UN	16	15.25	1.25	11.63	5.38	19.13
		(54)	(2)	(254)	(324)	(445)			(387)	(32)	(295)	(137)	(486)
12	300	2.25	0.06	12.00	15.00	20.50	1 1/8 - 8 UN	16	17.75	1.38	13.00	5.63	22.63
		(57)	(2)	(305)	(381)	(521)			(451)	(35)	(330)	(143)	(575)
14	350	2.56	0.06	13.25	16.25	23.00	1 1/8 - 8 UN	20	20.25	1.38	13.75	6.25	24.56
		(65)	(2)	(337)	(413)	(584)			(514)	(35)	(349)	(159)	(624)
16	400	2.66	0.06	15.25	18.50	25.50	1 1/4 - 8 UN	20	22.50	1.50	15.44	6.63	28.50
		(68)	(2)	(387)	(470)	(648)			(572)	(38)	(392)	(168)	(724)
18	450	2.72	0.06	17.00	21.00	28.00	1 1/4 - 8 UN	24	24.75	1.50	16.69	7.00	31.50
		(69)	(2)	(432)	(533)	(711)			(629)	(38)	(424)	(178)	(800)
20	500	2.84	0.06	19.00	23.00	30.50	1 1/4 - 8 UN	24	27.00	1.50	17.81	7.38	34.88
		(72)	(2)	(483)	(584)	(775)			(686)	(38)	(452)	(187)	(886)
24	600	3.22	0.06	23.00	27.25	36.00	1 1/2 - 8 UN	24	32.00	1.75	20.56	8.38	42.25
		(82)	(2)	(584)	(692)	(914)			(813)	(44)	(522)	(213)	(1073)
26	650	3.16	0.06	25.00	29.50	38.25	1 5/8 - 8 UN	28	34.50	1.88	24.81	8.50	45.63
		(80)	(2)	(635)	(749)	(972)			(876)	(48)	(630)	(216)	(1159)
28	700	3.91	0.06	27.00	31.50	40.75	1 5/8 - 8 UN	28	37.00	1.88	24.81	10.00	48.88
		(99)	(2)	(686)	(800)	(1035)			(940)	(48)	(630)	(254)	(1242)
30	750	4.03	0.06	29.00	33.75	43.00	1 3/4 - 8 UN	28	39.25	2.00	25.06	10.50	52.44
		(102)	(2)	(737)	(857)	(1092)			(997)	(51)	(637)	(267)	(1332)
36	900	4.66	0.06	35.00	40.25	50.00	2 - 8 UN	32	46.00	2.25	27.31	12.00	62.44
		(118)	(2)	(889)	(1022)	(1270)			(1168)	(57)	(694)	(305)	(1586)

Reference dimensions in (parentheses)

HD150 Hydraulic Cylinder Sizing

HD150 HYDRAULIC CYLINDER SIZING FOR CLEAR LIQUID AND GAS SERVICE

Valve Size IN	DN	Cyl. Press. (psi)	Line Differential Pressure (psid)										
			80	90	100	125	150	175	200	225	250	275	285
6	150	3000	1.5	1.5	1.5	1.5	1.5	1.5	1.5	1.5	1.5	1.5	1.5
		2250	1.5	1.5	1.5	1.5	1.5	1.5	1.5	1.5	1.5	1.5	1.5
		1500	1.5	1.5	1.5	1.5	1.5	1.5	1.5	2	2	2	2
		750	2	2	2	2	2.5	2.5	2.5	2.5	2.5	3.25	3.25
8	150	3000	1.5	1.5	1.5	1.5	1.5	1.5	1.5	1.5	1.5	2	2
		2250	1.5	1.5	1.5	1.5	1.5	1.5	2	2	2	2	2
		1500	1.5	1.5	2	2	2	2	2.5	2.5	2.5	2.5	2.5
		750	2.5	2.5	2.5	3.25	3.25	3.25	3.25	3.25	3.25	3.25	3.25
10	150	3000	1.5	1.5	1.5	1.5	2	2	2	2	2	2	2
		2250	1.5	1.5	1.5	2	2	2	2	2.5	2.5	2.5	2.5
		1500	2	2	2	2.5	2.5	2.5	3.25	3.25	3.25	3.25	3.25
		750	3.25	3.25	3.25	3.25	3.25	3.25	4	4	4	4	4
12	300	3000	2	2	2	2	2	2	2.5	2.5	2.5	2.5	2.5
		2250	2	2	2	2	2.5	2.5	2.5	3.25	3.25	3.25	3.25
		1500	2.5	2.5	2.5	2.5	3.25	3.25	3.25	3.25	3.25	3.25	3.25
		750	3.25	3.25	3.25	4	4	4	4	5	5	5	5
14	350	3000	2	2	2	2	2.5	2.5	2.5	3.25	3.25	3.25	3.25
		2250	2	2.5	2.5	2.5	2.5	3.25	3.25	3.25	3.25	3.25	3.25
		1500	2.5	3.25	3.25	3.25	3.25	3.25	3.25	4	4	4	4
		750	3.25	4	4	4	5	5	5	5	5	6	6
16	400	3000	2	2	2.5	2.5	2.5	3.25	3.25	3.25	3.25	3.25	3.25
		2250	2.5	2.5	2.5	3.25	3.25	3.25	3.25	3.25	3.25	4	4
		1500	3.25	3.25	3.25	3.25	3.25	4	4	4	4	5	5
		750	4	4	4	5	5	5	5	6	6	6	6
18	450	3000	2.5	2.5	2.5	3.25	3.25	3.25	3.25	3.25	3.25	3.25	4
		2250	2.5	3.25	3.25	3.25	3.25	3.25	3.25	4	4	4	4
		1500	3.25	3.25	3.25	4	4	4	4	5	5	5	5
		750	4	5	5	5	5	6	6	6	7	7	7
20	500	3000	2.5	2.5	3.25	3.25	3.25	3.25	3.25	4	4	4	4
		2250	3.25	3.25	3.25	3.25	3.25	4	4	4	4	5	5
		1500	3.25	3.25	4	4	4	5	5	5	5	5	6
		750	5	5	5	6	6	6	7	7	7	8	8
24	600	3000	3.25	3.25	3.25	3.25	3.25	4	4	4	5	5	5
		2250	3.25	3.25	3.25	4	4	5	5	5	5	5	5
		1500	4	4	4	5	5	5	6	6	6	6	7
		750	6	6	6	7	7	7	8	8	10	10	10
26	650	3000	3.25	3.25	3.25	3.25	4	4	4	5	5	5	5
		2250	3.25	4	4	4	5	5	5	5	5	6	6
		1500	4	5	5	5	5	6	6	6	7	7	7
		750	6	6	6	7	8	8	8	10	10	10	10
28	700	3000	3.25	3.25	3.25	4	4	5	5	5	5	5	6
		2250	4	4	4	5	5	5	5	6	6	6	6
		1500	5	5	5	5	6	6	6	7	7	7	8
		750	7	7	7	7	8	10	10	10	10	10	12
30	750	3000	4	4	4	4	5	5	5	5	6	6	6
		2250	4	4	4	5	5	5	6	6	6	7	7
		1500	5	5	5	6	6	7	7	7	8	8	8
		750	7	7	7	8	10	10	10	10	12	12	12
36	900	3000	4	4	5	5	5	6	6	6	6	7	7
		2250	5	5	5	6	6	6	7	7	7	8	8
		1500	6	6	6	7	7	8	8	10	10	10	10
		750	8	8	10	10	10	12	12	12	14	14	14

Cyl. Press = Pressure available at Cylinder

HD150 Hydraulic Cylinder Sizing

HD150 HYDRAULIC CYLINDER SIZING FOR <u>SLURRY SERVICE</u>													
Valve Size IN	Cyl. Press. DN	Cyl. Press. (psi)	Line Differential Pressure (psid)										
			80	90	100	125	150	175	200	225	250	275	285
6	150	3000	1.5	1.5	1.5	1.5	1.5	1.5	1.5	1.5	1.5	1.5	1.5
		2250	1.5	1.5	1.5	1.5	1.5	1.5	1.5	1.5	1.5	2	2
		1500	1.5	1.5	1.5	1.5	2	2	2	2	2	2	2.5
		750	2	2	2	2.5	2.5	2.5	3.25	3.25	3.25	3.25	3.25
8	150	3000	1.5	1.5	1.5	1.5	1.5	1.5	2	2	2	2	2
		2250	1.5	1.5	1.5	1.5	2	2	2	2	2.5	2.5	2.5
		1500	2	2	2	2	2.5	2.5	2.5	2.5	3.25	3.25	3.25
		750	2.5	3.25	3.25	3.25	3.25	3.25	3.25	3.25	3.25	4	4
10	150	3000	1.5	1.5	2	2	2	2	2	2.5	2.5	2.5	2.5
		2250	2	2	2	2	2.5	2.5	2.5	2.5	3.25	3.25	3.25
		1500	2	2.5	2.5	2.5	3.25	3.25	3.25	3.25	3.25	3.25	3.25
		750	3.25	3.25	3.25	3.25	4	4	4	4	5	5	5
12	300	3000	2	2	2	2	2.5	2.5	2.5	3.25	3.25	3.25	3.25
		2250	2	2	2.5	2.5	2.5	3.25	3.25	3.25	3.25	3.25	3.25
		1500	2.5	3.25	3.25	3.25	3.25	3.25	3.25	4	4	4	4
		750	3.25	4	4	4	4	5	5	5	5	6	6
14	350	3000	2	2	2.5	2.5	2.5	3.25	3.25	3.25	3.25	3.25	3.25
		2250	2.5	2.5	2.5	3.25	3.25	3.25	3.25	3.25	4	4	4
		1500	3.25	3.25	3.25	3.25	3.25	4	4	4	5	5	5
		750	4	4	4	5	5	5	6	6	6	6	6
16	400	3000	2.5	2.5	2.5	3.25	3.25	3.25	3.25	3.25	3.25	4	4
		2250	3.25	3.25	3.25	3.25	3.25	3.25	4	4	4	4	4
		1500	3.25	3.25	3.25	4	4	4	5	5	5	5	5
		750	5	5	5	5	6	6	6	7	7	7	7
18	450	3000	2.5	3.25	3.25	3.25	3.25	3.25	3.25	4	4	4	4
		2250	3.25	3.25	3.25	3.25	4	4	4	4	5	5	5
		1500	3.25	4	4	4	5	5	5	5	5	6	6
		750	5	5	5	6	6	7	7	7	8	8	8
20	500	3000	3.25	3.25	3.25	3.25	3.25	4	4	4	4	5	5
		2250	3.25	3.25	3.25	4	4	4	5	5	5	5	5
		1500	4	4	4	5	5	5	6	6	6	6	6
		750	5	6	6	6	7	7	8	8	8	10	10
24	600	3000	3.25	3.25	3.25	4	4	5	5	5	5	5	5
		2250	4	4	4	5	5	5	5	6	6	6	6
		1500	5	5	5	5	6	6	7	7	7	7	8
		750	6	7	7	7	8	10	10	10	10	12	12
26	650	3000	3.25	4	4	4	5	5	5	5	6	6	6
		2250	4	4	4	5	5	5	6	6	6	7	7
		1500	5	5	5	6	6	7	7	7	8	8	8
		750	7	7	7	8	10	10	10	10	12	12	12
28	700	3000	4	4	4	5	5	5	5	6	6	6	6
		2250	4	5	5	5	5	6	6	7	7	7	7
		1500	5	5	6	6	7	7	8	8	8	10	10
		750	7	8	8	10	10	10	12	12	12	12	12
30	750	3000	4	4	4	5	5	6	6	6	6	7	7
		2250	5	5	5	5	6	6	7	7	7	8	8
		1500	5	6	6	7	7	8	8	8	10	10	10
		750	8	8	8	10	10	12	12	12	12	14	14
36	900	3000	5	5	5	6	6	6	7	7	8	8	8
		2250	5	6	6	6	7	7	8	8	10	10	10
		1500	6	7	7	8	8	10	10	10	12	12	12
		750	10	10	10	12	12	14	14	14	-	-	-

Cyl. Press = Pressure available **at** Cylinder

HD300 Hydraulic Cylinder Sizing

HD300 HYDRAULIC CYLINDER SIZING FOR <u>CLEAR LIQUID AND GAS SERVICE</u>												
Valve Size		Cyl. Press (psi)	Line Differential Pressure (psid)									
IN	DN		300	350	400	450	500	550	600	650	700	740
6	150	3000	1.5	2	2	2	2	2	2	2	2	2.5
		2250	2	2	2	2	2.5	2.5	2.5	2.5	2.5	2.5
		1500	2.5	2.5	2.5	3.25	3.25	3.25	3.25	3.25	3.25	3.25
		750	3.25	3.25	3.25	4	4	4	4	4	4	4
8	200	3000	2	2.5	2.5	2.5	2.5	2.5	2.5	3.25	3.25	3.25
		2250	2.5	2.5	3.25	3.25	3.25	3.25	3.25	3.25	3.25	3.25
		1500	3.25	3.25	3.25	3.25	3.25	3.25	4	4	4	4
		750	4	4	5	5	5	5	5	5	5	5
10	250	3000	2.5	2.5	3.25	3.25	3.25	3.25	3.25	3.25	3.25	3.25
		2250	3.25	3.25	3.25	3.25	3.25	3.25	3.25	4	4	4
		1500	3.25	4	4	4	4	4	4	5	5	5
		750	5	5	5	5	6	6	6	6	6	7
12	300	3000	3.25	3.25	3.25	3.25	3.25	3.25	4	4	4	4
		2250	3.25	3.25	4	4	4	4	4	4	5	5
		1500	4	4	5	5	5	5	5	5	5	6
		750	6	6	6	6	7	7	7	7	8	8
14	350	3000	3.25	3.25	3.25	4	4	4	4	4	5	5
		2250	4	4	4	4	5	5	5	5	5	5
		1500	5	5	5	5	5	6	6	6	6	6
		750	6	7	7	7	8	8	8	8	10	10
16	400	3000	4	4	4	4	5	5	5	5	5	5
		2250	4	5	5	5	5	5	5	6	6	6
		1500	5	5	6	6	6	6	7	7	7	7
		750	7	7	8	8	10	10	10	10	10	10
18	450	3000	4	4	5	5	5	5	5	5	6	6
		2250	5	5	5	5	6	6	6	6	6	7
		1500	6	6	6	6	7	7	7	8	8	8
		750	8	8	10	10	10	10	10	12	12	12
20	500	3000	5	5	5	5	5	6	6	6	6	6
		2250	5	5	6	6	6	6	7	7	7	7
		1500	6	6	7	7	7	8	8	8	10	10
		750	10	10	10	10	10	12	12	12	12	12
24	600	3000	5	5	6	6	6	7	7	7	7	7
		2250	6	6	8	8	8	10	10	10	10	10
		1500	8	10	10	10	10	12	12	12	12	12
		750	12	12	14	14	-	-	-	-	-	-
26	650	3000	6	7	7	7	8	8	8	10	10	10
		2250	7	8	8	10	10	10	10	10	10	12
		1500	10	10	10	10	12	12	12	12	14	14
		750	12	14	14	-	-	-	-	-	-	-
28	700	3000	7	7	8	8	8	10	10	10	10	10
		2250	8	8	10	10	10	10	10	12	12	12
		1500	10	10	12	12	12	12	14	14	14	14
		750	14	14	-	-	-	-	-	-	-	-
30	750	3000	7	8	8	10	10	10	10	10	10	12
		2250	8	10	10	10	10	12	12	12	12	12
		1500	10	12	12	12	14	14	14	14	-	-
		750	14	-	-	-	-	-	-	-	-	-
36	900	3000	8	10	10	10	12	12	12	12	12	14
		2250	10	10	12	12	12	14	14	14	-	-
		1500	12	14	14	-	-	-	-	-	-	-
		750	-	-	-	-	-	-	-	-	-	-

Cyl. Press = Pressure available at Cylinder

HD300 Hydraulic Cylinder Sizing

HD300 HYDRAULIC CYLINDER SIZING FOR <i>SLURRY SERVICE</i>												
Valve Size IN	Cyl. Press. DN (psi)	Line Differential Pressure (psid)										
		300	350	400	450	500	550	600	650	700	740	
6	150	3000	2	2	2	2	2	2.5	2.5	2.5	2.5	2.5
		2250	2	2.5	2.5	2.5	2.5	2.5	3.25	3.25	3.25	3.25
		1500	2.5	3.25	3.25	3.25	3.25	3.25	3.25	3.25	3.25	3.25
		750	3.25	4	4	4	4	4	5	5	5	5
8	200	3000	2.5	2.5	2.5	3.25	3.25	3.25	3.25	3.25	3.25	3.25
		2250	3.25	3.25	3.25	3.25	3.25	3.25	3.25	3.25	3.25	4
		1500	3.25	3.25	3.25	4	4	4	4	4	4	5
		750	5	5	5	5	5	6	6	6	6	6
10	250	3000	3.25	3.25	3.25	3.25	3.25	3.25	3.25	4	4	4
		2250	3.25	3.25	3.25	4	4	4	4	4	4	5
		1500	4	4	4	5	5	5	5	5	5	5
		750	5	6	6	6	6	7	7	7	7	8
12	300	3000	3.25	3.25	3.25	4	4	4	4	4	5	5
		2250	4	4	4	4	5	5	5	5	5	5
		1500	5	5	5	5	5	6	6	6	6	6
		750	6	7	7	7	8	8	8	8	10	10
14	350	3000	4	4	4	4	5	5	5	5	5	5
		2250	4	5	5	5	5	5	5	6	6	6
		1500	5	5	6	6	6	6	7	7	7	7
		750	7	8	8	8	10	10	10	10	10	10
16	400	3000	4	4	5	5	5	5	5	6	6	6
		2250	5	5	5	6	6	6	6	6	7	7
		1500	6	6	6	7	7	7	8	8	8	8
		750	8	8	10	10	10	10	12	12	12	12
18	450	3000	5	5	5	5	6	6	6	6	6	7
		2250	5	6	6	6	6	7	7	7	7	8
		1500	6	7	7	7	8	8	8	10	10	10
		750	10	10	10	10	12	12	12	12	14	14
20	500	3000	5	5	6	6	6	6	7	7	7	7
		2250	6	6	6	7	7	7	8	8	8	8
		1500	7	7	8	8	10	10	10	10	10	10
		750	10	10	12	12	12	14	14	14	14	-
24	600	3000	6	6	7	7	7	8	8	8	8	10
		2250	7	7	8	8	8	10	10	10	10	10
		1500	8	10	10	10	10	12	12	12	12	12
		750	12	12	14	14	-	-	-	-	-	-
26	650	3000	6	7	7	7	8	8	8	10	10	10
		2250	7	8	8	10	10	10	10	10	10	12
		1500	10	10	10	10	12	12	12	12	14	14
		750	12	14	14	-	-	-	-	-	-	-
28	700	3000	7	7	8	8	8	10	10	10	10	10
		2250	8	8	10	10	10	10	10	12	12	12
		1500	10	10	12	12	12	12	14	14	14	14
		750	14	14	-	-	-	-	-	-	-	-
30	750	3000	7	8	8	10	10	10	10	10	10	12
		2250	8	10	10	10	10	12	12	12	12	12
		1500	10	12	12	12	14	14	14	14	-	-
		750	14	-	-	-	-	-	-	-	-	-
36	900	3000	8	10	10	10	12	12	12	12	12	14
		2250	10	10	12	12	12	14	14	14	-	-
		1500	12	14	14	-	-	-	-	-	-	-
		750	-	-	-	-	-	-	-	-	-	-

Cyl. Press = Pressure available at Cylinder

HD150 Pneumatic Cylinder Sizing

HD150 PNEUMATIC CYLINDER SIZING FOR CLEAR LIQUID AND GAS SERVICE													
Valve Size		Cyl. Press. (psi)	Line Differential Pressure (psid)										
IN	DN		80	90	100	125	150	175	200	225	250	275	285
6	150	100	5	5	5	5	5	6	6	6	6	6	7
		80	5	5	5	6	6	6	6	7	7	7	7
		60	6	6	6	7	7	7	7	8	8	8	8
		40	7	7	7	8	8	10	10	10	10	10	10
8	200	100	6	6	6	6	7	7	7	8	8	8	8
		80	6	6	7	7	7	8	8	8	10	10	10
		60	7	7	8	8	8	10	10	10	10	10	10
		40	10	10	10	10	10	12	12	12	12	14	14
10	250	100	7	7	7	7	8	8	10	10	10	10	10
		80	7	8	8	8	10	10	10	10	12	12	12
		60	8	10	10	10	10	12	12	12	12	14	14
		40	10	10	12	12	12	14	14	14	16	16	16
12	300	100	8	8	8	10	10	10	10	12	12	12	12
		80	8	10	10	10	10	12	12	12	12	14	14
		60	10	10	10	12	12	12	14	14	14	16	16
		40	12	12	12	14	14	16	16	18	18	18	18
14	350	100	10	10	10	10	10	12	12	12	14	14	14
		80	10	10	10	12	12	12	14	14	14	16	16
		60	12	12	12	12	14	14	16	16	16	18	18
		40	14	14	14	16	16	18	18	20	20	22	22
16	400	100	10	10	10	12	12	12	14	14	14	16	16
		80	12	12	12	12	14	14	16	16	16	18	18
		60	12	12	14	14	16	16	18	18	18	20	20
		40	16	16	16	18	18	20	20	22	22	24	24
18	450	100	10	12	12	12	14	14	14	16	16	18	18
		80	12	12	12	14	14	16	16	18	18	18	20
		60	14	14	14	16	18	18	20	20	20	22	22
		40	16	18	18	20	20	22	24	24	-	-	-
20	500	100	12	12	12	14	14	16	16	18	18	18	20
		80	14	14	14	16	16	18	18	20	20	20	22
		60	14	16	16	18	18	20	20	22	22	24	24
		40	18	18	20	22	22	24	-	-	-	-	-
24	600	100	14	14	14	16	18	18	20	20	22	22	22
		80	16	16	16	18	20	20	22	22	24	24	-
		60	18	18	18	20	22	24	24	-	-	-	-
		40	22	22	22	24	-	-	-	-	-	-	-
26	650	100	14	16	16	18	18	20	20	22	22	24	24
		80	16	16	18	20	20	22	24	24	-	-	-
		60	18	20	20	22	24	-	-	-	-	-	-
		40	22	24	24	-	-	-	-	-	-	-	-
28	700	100	16	16	16	18	20	22	22	24	24	-	-
		80	18	18	18	20	22	24	24	-	-	-	-
		60	20	20	22	24	-	-	-	-	-	-	-
		40	-	-	-	-	-	-	-	-	-	-	-
30	750	100	18	18	18	20	20	22	24	24	-	-	-
		80	18	20	20	22	24	24	-	-	-	-	-
		60	22	22	22	24	-	-	-	-	-	-	-
		40	-	-	-	-	-	-	-	-	-	-	-
36	900	100	20	20	22	24	24	-	-	-	-	-	-
		80	22	22	24	-	-	-	-	-	-	-	-
		60	-	-	-	-	-	-	-	-	-	-	-
		40	-	-	-	-	-	-	-	-	-	-	-

Cyl. Press = Pressure available **at** Cylinder

HD150 Pneumatic Cylinder Sizing

HD150 PNEUMATIC CYLINDER SIZING FOR <u>SLURRY SERVICE</u>													
Valve Size		Cyl. Press. (psi)	Line Differential Pressure (psid)										
IN	DN		80	90	100	125	150	175	200	225	250	275	285
6	150	100	5	5	5	6	6	6	7	7	7	7	7
		80	6	6	6	6	7	7	7	7	8	8	8
		60	6	7	7	7	7	8	8	10	10	10	10
		40	8	8	8	10	10	10	10	10	12	12	12
8	200	100	6	6	7	7	7	8	8	10	10	10	10
		80	7	7	7	8	8	10	10	10	10	10	10
		60	8	8	8	10	10	10	10	12	12	12	12
		40	10	10	10	12	12	12	14	14	14	14	14
10	250	100	7	8	8	8	10	10	10	10	12	12	12
		80	8	8	10	10	10	10	12	12	12	12	14
		60	10	10	10	12	12	12	14	14	14	14	16
		40	12	12	12	14	14	16	16	16	18	18	18
12	300	100	8	10	10	10	10	12	12	12	14	14	14
		80	10	10	10	12	12	12	14	14	14	16	16
		60	12	12	12	12	14	14	16	16	16	18	18
		40	14	14	14	16	16	18	18	20	20	22	22
14	350	100	10	10	10	12	12	14	14	14	16	16	16
		80	10	12	12	12	14	14	16	16	16	18	18
		60	12	14	14	14	16	16	18	18	20	20	20
		40	16	16	16	18	18	20	22	22	24	24	24
16	400	100	12	12	12	12	14	14	16	16	16	18	18
		80	12	12	14	14	16	16	18	18	18	20	20
		60	14	14	16	16	18	18	20	20	22	22	22
		40	16	18	18	20	22	22	24	-	-	-	-
18	450	100	12	12	14	14	16	16	18	18	18	20	20
		80	14	14	14	16	16	18	20	20	20	22	22
		60	16	16	16	18	20	20	22	22	24	-	-
		40	18	20	20	22	24	-	-	-	-	-	-
20	500	100	14	14	14	16	16	18	18	20	20	22	22
		80	14	16	16	18	18	20	20	22	24	24	24
		60	16	18	18	20	22	22	24	-	-	-	-
		40	20	22	22	24	-	-	-	-	-	-	-
24	600	100	16	16	16	18	20	22	22	24	24	-	-
		80	18	18	18	20	22	24	24	-	-	-	-
		60	20	20	22	24	-	-	-	-	-	-	-
		40	24	24	-	-	-	-	-	-	-	-	-
26	650	100	16	18	18	20	22	22	24	-	-	-	-
		80	18	20	20	22	24	-	-	-	-	-	-
		60	20	22	22	-	-	-	-	-	-	-	-
		40	-	-	-	-	-	-	-	-	-	-	-
28	700	100	18	18	20	22	22	24	-	-	-	-	-
		80	20	20	22	24	-	-	-	-	-	-	-
		60	22	24	24	-	-	-	-	-	-	-	-
		40	-	-	-	-	-	-	-	-	-	-	-
30	750	100	18	20	20	22	24	-	-	-	-	-	-
		80	20	22	22	24	-	-	-	-	-	-	-
		60	24	-	-	-	-	-	-	-	-	-	-
		40	-	-	-	-	-	-	-	-	-	-	-
36	900	100	22	24	24	-	-	-	-	-	-	-	-
		80	24	-	-	-	-	-	-	-	-	-	-
		60	-	-	-	-	-	-	-	-	-	-	-
		40	-	-	-	-	-	-	-	-	-	-	-

Cyl. Press = Pressure available **at** Cylinder

HD300 Pneumatic Cylinder Sizing

HD300 PNEUMATIC CYLINDER SIZING FOR <u>CLEAR LIQUID AND GAS SERVICE</u>												
Valve Size		Cyl. Press. (psi)	Line Differential Pressure (psid)									
IN	DN		300	350	400	450	500	550	600	650	700	740
6	150	100	8	8	8	10	10	10	10	10	10	10
		80	10	10	10	10	10	10	10	12	12	12
		60	10	10	12	12	12	12	12	12	12	14
		40	12	14	14	14	14	14	14	-	-	-
8	200	100	10	10	10	12	12	12	12	12	14	14
		80	12	12	12	12	14	14	14	14	14	14
		60	12	14	14	14	14	-	-	-	-	18
		40	-	-	-	18	18	18	20	20	20	20
10	250	100	12	12	14	14	14	14	14	-	-	-
		80	14	14	14	-	-	-	-	18	18	18
		60	-	-	-	18	18	18	20	20	20	20
		40	18	20	20	20	22	22	24	24	24	-
12	300	100	14	14	-	-	-	-	18	18	18	18
		80	16	16	16	18	18	18	20	20	20	22
		60	18	18	20	20	20	22	22	22	24	24
		40	22	22	24	24	-	-	-	-	-	-
14	350	100	16	16	18	18	18	20	20	20	22	22
		80	18	18	20	20	20	22	22	22	24	24
		60	20	20	22	22	24	24	-	-	-	-
		40	24	-	-	-	-	-	-	-	-	-
16	400	100	18	18	20	20	20	22	22	24	24	24
		80	20	20	22	22	24	24	-	-	-	-
		60	22	24	24	-	-	-	-	-	-	-
		40	-	-	-	-	-	-	-	-	-	-
18	450	100	20	20	22	22	24	24	24	-	-	-
		80	22	22	24	24	-	-	-	-	-	-
		60	24	-	-	-	-	-	-	-	-	-
		40	-	-	-	-	-	-	-	-	-	-
20	500	100	20	22	24	24	-	-	-	-	-	-
		80	24	24	-	-	-	-	-	-	-	-
		60	-	-	-	-	-	-	-	-	-	-
		40	-	-	-	-	-	-	-	-	-	-
24	650	100	24	-	-	-	-	-	-	-	-	-
		80	-	-	-	-	-	-	-	-	-	-
		60	-	-	-	-	-	-	-	-	-	-
		40	-	-	-	-	-	-	-	-	-	-
26	650	100	-	-	-	-	-	-	-	-	-	-
		80	-	-	-	-	-	-	-	-	-	-
		60	-	-	-	-	-	-	-	-	-	-
		40	-	-	-	-	-	-	-	-	-	-
28	700	100	-	-	-	-	-	-	-	-	-	-
		80	-	-	-	-	-	-	-	-	-	-
		60	-	-	-	-	-	-	-	-	-	-
		40	-	-	-	-	-	-	-	-	-	-
30	750	100	-	-	-	-	-	-	-	-	-	-
		80	-	-	-	-	-	-	-	-	-	-
		60	-	-	-	-	-	-	-	-	-	-
		40	-	-	-	-	-	-	-	-	-	-
36	900	100	-	-	-	-	-	-	-	-	-	-
		80	-	-	-	-	-	-	-	-	-	-
		60	-	-	-	-	-	-	-	-	-	-
		40	-	-	-	-	-	-	-	-	-	-

Cyl. Press = Pressure available **at** Cylinder

HD300 Pneumatic Cylinder Sizing

HD300 PNEUMATIC CYLINDER SIZING FOR <u>SLURRY SERVICE</u>												
Valve Size		Cyl. Press. (psi)	Line Differential Pressure (psid)									
IN	DN		300	350	400	450	500	550	600	650	700	740
6	150	100	10	10	10	10	10	10	12	12	12	12
		80	10	10	10	12	12	12	12	12	14	14
		60	12	12	12	12	14	14	14	14	14	16
		40	14	14	14	16	16	16	18	18	18	18
8	200	100	12	12	12	12	14	14	14	14	14	16
		80	12	12	14	14	14	16	16	16	16	16
		60	14	14	16	16	16	18	18	18	18	20
		40	18	18	18	20	20	20	22	22	24	24
10	250	100	14	14	14	16	16	16	18	18	18	18
		80	14	16	16	16	18	18	18	20	20	20
		60	16	18	18	20	20	20	22	22	24	24
		40	20	22	22	24	24	-	-	-	-	-
12	300	100	16	16	18	18	18	20	20	20	22	22
		80	18	18	18	20	20	22	22	22	24	24
		60	20	20	22	22	24	24	-	-	-	-
		40	24	-	-	-	-	-	-	-	-	-
14	350	100	18	18	20	20	22	22	22	24	24	-
		80	20	20	22	22	24	24	-	-	-	-
		60	22	24	24	-	-	-	-	-	-	-
		40	-	-	-	-	-	-	-	-	-	-
16	400	100	20	20	22	22	24	24	-	-	-	-
		80	22	24	24	-	-	-	-	-	-	-
		60	24	-	-	-	-	-	-	-	-	-
		40	-	-	-	-	-	-	-	-	-	-
18	450	100	22	22	24	-	-	-	-	-	-	-
		80	24	-	-	-	-	-	-	-	-	-
		60	-	-	-	-	-	-	-	-	-	-
		40	-	-	-	-	-	-	-	-	-	-
20	500	100	24	-	-	-	-	-	-	-	-	-
		80	-	-	-	-	-	-	-	-	-	-
		60	-	-	-	-	-	-	-	-	-	-
		40	-	-	-	-	-	-	-	-	-	-
24	600	100	-	-	-	-	-	-	-	-	-	-
		80	-	-	-	-	-	-	-	-	-	-
		60	-	-	-	-	-	-	-	-	-	-
		40	-	-	-	-	-	-	-	-	-	-
26	650	100	-	-	-	-	-	-	-	-	-	-
		80	-	-	-	-	-	-	-	-	-	-
		60	-	-	-	-	-	-	-	-	-	-
		40	-	-	-	-	-	-	-	-	-	-
28	700	100	-	-	-	-	-	-	-	-	-	-
		80	-	-	-	-	-	-	-	-	-	-
		60	-	-	-	-	-	-	-	-	-	-
		40	-	-	-	-	-	-	-	-	-	-
30	750	100	-	-	-	-	-	-	-	-	-	-
		80	-	-	-	-	-	-	-	-	-	-
		60	-	-	-	-	-	-	-	-	-	-
		40	-	-	-	-	-	-	-	-	-	-
36	900	100	-	-	-	-	-	-	-	-	-	-
		80	-	-	-	-	-	-	-	-	-	-
		60	-	-	-	-	-	-	-	-	-	-
		40	-	-	-	-	-	-	-	-	-	-

Cyl. Press = Pressure available **at** Cylinder

HD150 Bevel Gear Sizing

HD150 BEVEL GEAR SIZING FOR <u>CLEAR LIQUID AND GAS SERVICE</u>												
Valve Size		Line Differential Pressure (psid)										
IN	DN	80	90	100	125	150	175	200	225	250	275	285
6	150	BG3 w/12"HW	BG3 w/12"HW	BG3 w/12"HW	BG3 w/12"HW	BG3 w/12"HW	BG3 w/12"HW	BG3 w/12"HW	BG3 w/12"HW	BG3 w/12"HW	BG3 w/12"HW	BG3 w/12"HW
8	200	BG3 w/12"HW	BG3 w/12"HW	BG3 w/12"HW	BG3 w/12"HW	BG3 w/12"HW	BG3 w/12"HW	BG3 w/12"HW	BG3 w/12"HW	BG3 w/12"HW	BG3 w/12"HW	BG3 w/12"HW
10	250	BG3 w/12"HW	BG3 Bw/12"HW	BG3 w/12"HW	BG3 w/12"HW	BG3 w/12"HW	BG3 w/12"HW	BG3 w/12"HW	BG3 w/12"HW	BG3 w/12"HW	BG3 w/12"HW	BG3 w/12"HW
12	300	BG3 w/12"HW	BG3 w/12"HW	BG3 w/12"HW	BG3 w/12"HW	BG3 w/12"HW	BG3 w/12"HW	BG3 w/12"HW	BG3 w/12"HW	BG3 w/12"HW	BG3 w/12"HW	BG3 w/12"HW
14	350	BG3 w/12"HW	BG3 w/12"HW	BG3 w/12"HW	BG3 w/12"HW	BG3 w/12"HW	BG3 w/24"HW	BG3 w/24"HW	BG3 w/24"HW	BG3 w/24"HW	BG3 w/24"HW	BG3 w/24"HW
16	400	BG4 w/12"HW	BG4 w/12"HW	BG4 w/12"HW	BG4 w/12"HW	BG4 w/12"HW	BG3 w/24"HW	BG3 w/24"HW	BG3 w/24"HW	BG3 w/24"HW	BG4 w/24"HW	BG4 w/24"HW
18	450	BG4 w/12"HW	BG4 w/12"HW	BG4 w/12"HW	BG4 w/12"HW	BG4 w/12"HW	BG3 w/24"HW	BG4 w/24"HW	BG4 w/24"HW	BG4 w/24"HW	BG34 w/12"HW	BG34 w/12"HW
20	500	BG4 w/12"HW	BG4 w/18"HW	BG4 w/18"HW	BG4 w/18"HW	BG4 w/24"HW	BG4 w/24"HW	BG4 w/24"HW	BG34 w/12"HW	BG44 w/12"HW	BG44 w/12"HW	BG44 w/12"HW
24	600	BG4 w/18"HW	BG4 w/18"HW	BG4 w/24"HW	BG4 w/24"HW	BG44 w/12"HW	BG44 w/12"HW	BG44 w/12"HW	BG44 w/12"HW	BG44GT w/18"HW	BG44GT w/18"HW	BG44GT w/18"HW
26	650	BG4 w/18"HW	BG4 w/24"HW	BG4 w/24"HW	BG44 w/12"HW	BG44 w/12"HW	BG44 w/12"HW	BG44GT w/18"HW	BG44GT w/18"HW	BG44GT w/18"HW	BG44GT w/18"HW	BG44GT w/24"HW
28	700	BG4 Bw/24"HW	BG4 w/24"HW	BG44 w/12"HW	BG44 w/12"HW	BG44 w/12"HW	BG44GT w/18"HW	BG44GT w/18"HW	BG44GT w/18"HW	BG44GT w/24"HW	BG44GT w/24"HW	BG44GT w/24"HW
30	750	BG44 w/12"HW	BG44 w/12"HW	BG44 w/12"HW	BG44 w/12"HW	BG44GT w/18"HW	BG44GT w/18"HW	BG44GT w/18"HW	BG44GT w/24"HW	BG44GT w/24"HW	BG46GT w/24"HW	BG46GT w/24"HW
36	900	BG44 w/18"HW	BG44 w/18"HW	BG44GT w/18"HW	BG44GT w/18"HW	BG44GT Bw/24"HW	BG46GT w/24"HW	BG46GT w/24"HW	BG46GT w/24"HW	BG64 w/36"HW	BG64 w/36"HW	BG64 w/36"HW

HD150 BEVEL GEAR SIZING FOR <u>SLURRY SERVICE</u>												
Valve Size		Line Differential Pressure (psid)										
IN	DN	80	90	100	125	150	175	200	225	250	275	285
6	150	BG3 w/12"HW	BG3 w/12"HW	BG3 w/12"HW	BG3 w/12"HW	BG3 w/12"HW	BG3 w/12"HW	BG3 w/12"HW	BG3 w/12"HW	BG3 w/12"HW	BG3 w/12"HW	BG3 w/12"HW
8	200	BG3 w/12"HW	BG3 w/12"HW	BG3 w/12"HW	BG3 w/12"HW	BG3 w/12"HW	BG3 w/12"HW	BG3 w/12"HW	BG3 w/12"HW	BG3 w/12"HW	BG3 w/12"HW	BG3 w/12"HW
10	250	BG3 w/12"HW	BG3 w/12"HW	BG3 w/12"HW	BG3 w/12"HW	BG3 w/12"HW	BG3 w/12"HW	BG3 w/12"HW	BG3 w/12"HW	BG3 w/12"HW	BG3 w/12"HW	BG3 w/12"HW
12	300	BG3 w/12"HW	BG3 w/12"HW	BG3 w/12"HW	BG3 w/12"HW	BG3 w/12"HW	BG3 w/12"HW	BG3 w/24"HW	BG3 w/24"HW	BG3 w/24"HW	BG3 w/24"HW	BG3 w/24"HW
14	350	BG3 w/12"HW	BG3 w/12"HW	BG3 w/12"HW	BG3 w/24"HW	BG3 w/24"HW	BG3 w/24"HW	BG3 w/24"HW	BG3 w/24"HW	BG3 w/24"HW	BG4 w/24"HW	BG4 w/24"HW
16	400	BG4 w/12"HW	BG4 w/12"HW	BG4 w/12"HW	BG4 w/12"HW	BG4 w/18"HW	BG3 w/24"HW	BG4 w/24"HW	BG4 w/24"HW	BG34 w/12"HW	BG34 w/12"HW	BG44 w/12"HW
18	450	BG4 w/12"HW	BG4 w/18"HW	BG4 w/18"HW	BG4 w/18"HW	BG4 w/24"HW	BG4 w/24"HW	BG34 w/12"HW	BG44 w/12"HW	BG44 w/12"HW	BG44 w/12"HW	BG44 w/12"HW
20	500	BG4 w/18"HW	BG4 w/18"HW	BG4 w/18"HW	BG4 w/24"HW	BG44 w/12"HW	BG44 w/12"HW	BG44 w/12"HW	BG44 w/12"HW	BG44GT w/18"HW	BG44GT w/18"HW	BG44GT w/18"HW
24	600	BG4 w/24"HW	BG4 w/24"HW	BG44 w/12"HW	BG44 w/12"HW	BG44 w/12"HW	BG44GT w/18"HW	BG44GT w/18"HW	BG44GT w/18"HW	BG44GT w/24"HW	BG44GT w/24"HW	BG44GT w/24"HW
26	650	BG4 w/24"HW	BG44 w/12"HW	BG44 w/12"HW	BG44 w/12"HW	BG44GT w/18"HW	BG44GT w/18"HW	BG44GT w/24"HW	BG44GT w/24"HW	BG46GT w/24"HW	BG46GT w/24"HW	BG46GT w/24"HW
28	700	BG44 w/12"HW	BG44 w/12"HW	BG44 w/12"HW	BG44GT w/18"HW	BG44GT w/18"HW	BG44GT w/24"HW	BG44GT w/24"HW	BG46GT w/24"HW	BG46GT w/24"HW	BG46GT w/24"HW	BG46GT w/24"HW
30	750	BG44 w/12"HW	BG44 w/12"HW	BG44 w/18"HW	BG44GT w/18"HW	BG44GT w/24"HW	BG44GT w/24"HW	BG46GT w/24"HW	BG46GT w/24"HW	BG46GT w/24"HW	BG64 w/36"HW	BG64 w/36"HW
36	900	BG44GT w/18"HW	BG44GT w/18"HW	BG44GT w/24"HW	BG46GT w/24"HW	BG46GT w/24"HW	BG64 w/36"HW	BG64 w/36"HW	BG624 w/24"HW	BG624 w/24"HW	BG626 w/24"HW	BG626 w/24"HW

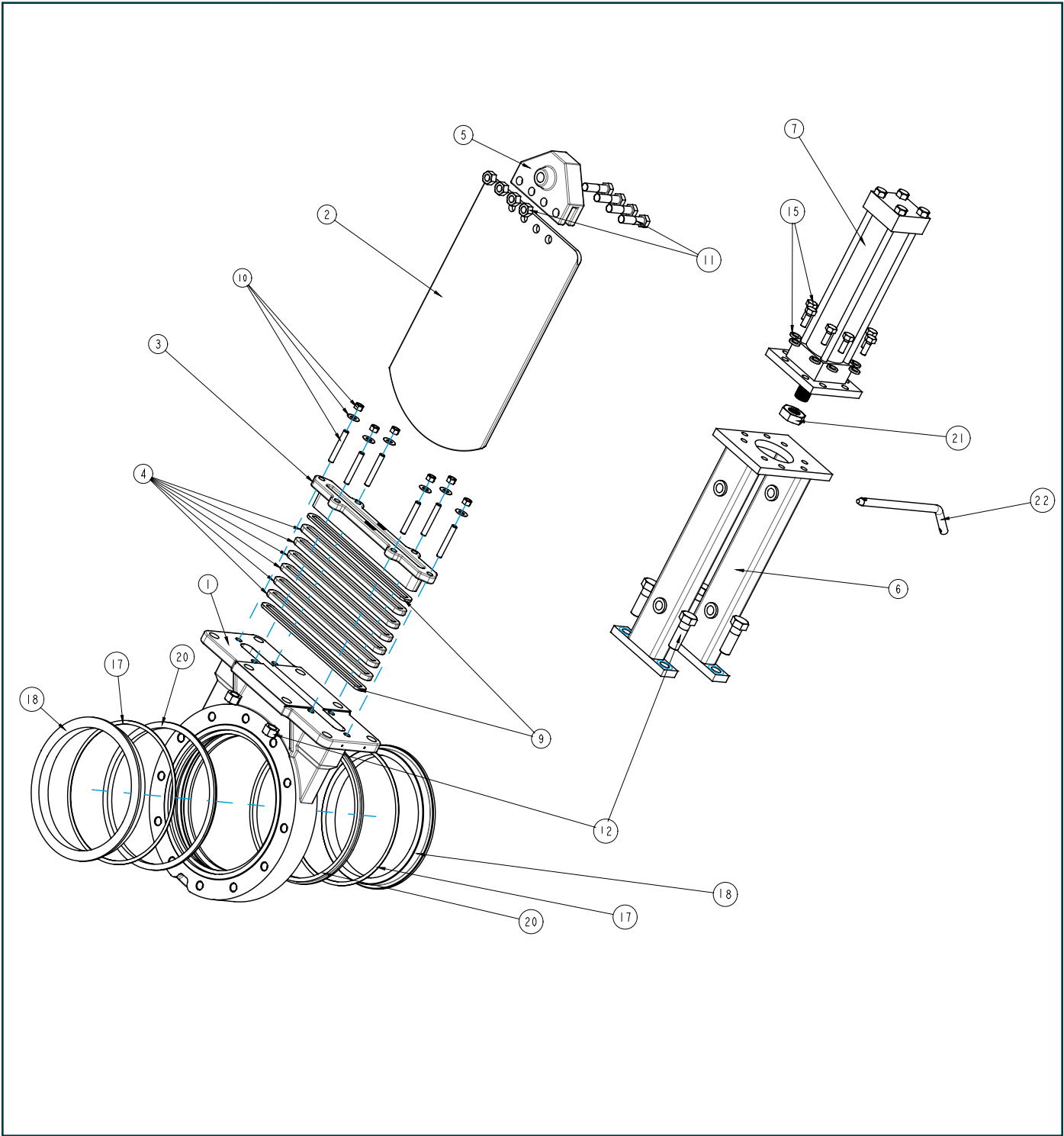
HD300 Bevel Gear Sizing

HD300 BEVEL GEAR SIZING FOR <i>CLEAR LIQUID AND GAS SERVICE</i>											
Valve Size		Line Differential Pressure (psid)									
IN	DN	300	350	400	450	500	550	600	650	700	740
6	150	BG3 w/12"HW	BG3 w/12"HW	BG3 w/12"HW	BG3 w/12"HW	BG3 w/12"HW	BG3 w/12"HW	BG3 w/12"HW	BG3 w/12"HW	BG3 w/12"HW	BG3 w/12"HW
8	200	BG3 w/12"HW	BG3 w/12"HW	BG3 w/12"HW	BG3 w/12"HW	BG3 w/12"HW	BG3 w/12"HW	BG3 w/24"HW	BG3 w/24"HW	BG3 w/24"HW	BG3 w/24"HW
10	250	BG3 w/12"HW	BG3 w/24"HW	BG3 w/24"HW	BG3 w/24"HW	BG3 w/24"HW	BG3 w/24"HW	BG3 w/24"HW	BG3 w/24"HW	BG4 w/24"HW	BG4 w/24"HW
12	300	BG3 w/24"HW	BG3 w/24"HW	BG3 w/24"HW	BG4 w/24"HW	BG4 w/24"HW	BG34 w/12"HW	BG34 w/12"HW	BG44 w/12"HW	BG44 w/12"HW	BG44 w/12"HW
14	350	BG4 w/24"HW	BG4 w/24"HW	BG34 w/12"HW	BG44 w/12"HW	BG44 w/12"HW	BG44 w/12"HW	BG44 w/12"HW	BG44 w/12"HW	BG44GT w/18"HW	BG44GT w/18"HW
16	400	BG34 w/12"HW	BG44 w/12"HW	BG44 w/12"HW	BG44 w/12"HW	BG44GT w/18"HW	BG44GT w/18"HW	BG44GT w/18"HW	BG44GT w/18"HW	BG44GT w/18"HW	BG44GT w/24"HW
18	450	BG44 w/12"HW	BG44 w/12"HW	BG44GT w/18"HW	BG44GT w/18"HW	BG44GT w/18"HW	BG44GT w/24"HW	BG44GT w/24"HW	BG44GT w/24"HW	BG46GT w/24"HW	BG46GT w/24"HW
20	500	BG44GT w/18"HW	BG44GT w/18"HW	BG44GT w/18"HW	BG44GT w/24"HW	BG44GT w/24"HW	BG46GT w/24"HW	BG46GT w/24"HW	BG46GT w/24"HW	BG46GT w/24"HW	BG46GT w/24"HW
24	600	BG44GT w/24"HW	BG44GT w/24"HW	BG46GT w/24"HW	BG46GT w/24"HW	BG46GT w/24"HW	BG64 w/36"HW	BG64 w/36"HW	BG64 w/36"HW	BG64 w/36"HW	BG624 w/24"HW
26	650	BG46GT w/24"HW	BG46GT w/24"HW	BG46GT w/24"HW	BG64 w/36"HW	BG64 w/36"HW	BG64 w/36"HW	BG624 w/24"HW	BG624 w/24"HW	BG624 w/24"HW	BG626 w/24"HW
28	700	BG46GT w/24"HW	BG46GT w/24"HW	BG64 w/36"HW	BG64 w/36"HW	BG624 w/24"HW	BG624 w/24"HW	BG624 w/24"HW	BG624 w/24"HW	BG626 w/24"HW	BG626 w/24"HW
30	750	BG64 w/36"HW	BG64 w/36"HW	BG64 w/36"HW	BG624 w/24"HW	BG624 w/24"HW	BG626 w/24"HW	BG626 w/24"HW	-	-	-
36	900	BG624 w/24"HW	BG626 w/24"HW	BG626 w/24"HW	-	-	-	-	-	-	-

HD300 BEVEL GEAR SIZING FOR <i>SLURRY SERVICE</i>											
Valve Size		Line Differential Pressure (psid)									
IN	DN	300	350	400	450	500	550	600	650	700	740
6	150	BG3 w/12"HW	BG3 w/12"HW	BG3 w/12"HW	BG3 w/12"HW	BG3 w/12"HW	BG3 w/12"HW	BG3 w/12"HW	BG3 w/12"HW	BG3 w/12"HW	BG3 w/12"HW
8	200	BG3 w/12"HW	BG3 w/12"HW	BG3 w/12"HW	BG3 w/24"HW	BG3 w/24"HW	BG3 w/24"HW	BG3 w/24"HW	BG3 w/24"HW	BG3 w/24"HW	BG3 w/24"HW
10	250	BG3 w/24"HW	BG3 w/24"HW	BG3 w/24"HW	BG3 w/24"HW	BG4 w/24"HW	BG4 w/24"HW	BG34 w/12"HW	BG34 w/12"HW	BG44 w/12"HW	BG44 w/12"HW
12	300	BG3 w/24"HW	BG4 w/24"HW	BG34 w/12"HW	BG34 w/12"HW	BG44 w/12"HW	BG44 w/12"HW	BG44 w/12"HW	BG44 w/12"HW	BG44GT w/18"HW	BG44GT w/18"HW
14	350	BG34 w/12"HW	BG44 w/12"HW	BG44 w/12"HW	BG44 w/12"HW	BG44GT w/18"HW	BG44GT w/18"HW	BG44GT w/18"HW	BG44GT w/18"HW	BG44GT w/24"HW	BG44GT w/24"HW
16	400	BG44 w/12"HW	BG44GT w/18"HW	BG44GT w/18"HW	BG44GT w/18"HW	BG44GT w/18"HW	BG44GT w/24"HW	BG44GT w/24"HW	BG46GT w/24"HW	BG46GT w/24"HW	BG46GT w/24"HW
18	450	BG44GT w/18"HW	BG44GT w/18"HW	BG44GT w/24"HW	BG44GT w/24"HW	BG46GT w/24"HW	BG46GT w/24"HW	BG46GT w/24"HW	BG46GT w/24"HW	BG64 w/36"HW	BG64 w/36"HW
20	500	BG44GT w/18"HW	BG44GT w/24"HW	BG46GT w/24"HW	BG46GT w/24"HW	BG46GT w/24"HW	BG64 w/36"HW	BG64 w/36"HW	BG64 w/36"HW	BG64 w/36"HW	BG64 w/36"HW
24	600	BG46GT w/24"HW	BG46GT w/24"HW	BG64 w/36"HW	BG64 w/36"HW	BG64 w/36"HW	BG624 w/24"HW	BG626 w/24"HW	BG626 w/24"HW	BG626 w/24"HW	BG626 w/24"HW
26	650	BG46GT w/24"HW	BG64 w/36"HW	BG64 w/36"HW	BG624 w/24"HW	BG624 w/24"HW	BG626 w/24"HW	BG626 w/24"HW	-	-	-
28	700	BG64 w/36"HW	BG624 w/36"HW	BG626 w/24"HW	BG626 w/24"HW	- w/24"HW	-	-	-	-	-
30	750	BG64 w/36"HW	BG624 w/24"HW	BG626 w/24"HW	BG626 w/24"HW	-	-	-	-	-	-
36	900	BG626 w/24"HW	-	-	-	-	-	-	-	-	-

Heavy Duty Knife Gate Valve

Exploded View



Materials of Construction

ITEM	DESCRIPTION	MATERIAL	
1	BODY	WCB	LC1
2	GATE	17-4 SS	
3	PACKING GLAND	WCB	LC1
4	PACKING	ACRYLIC / SILICONE	
5	GATE CLAMP	WCB	LC1
6	YOKE	CARBON STEEL	
7	CYLINDER		
9	SCRAPER	PHENOLIC	
10	PACKING GLAND FASTENERS	PLATED STEEL	
11	GATE CLAMP FASTENERS	PLATED STEEL	
12	YOKE FASTENERS	PLATED STEEL	
15	CYLINDER MOUNT FASTENERS	PLATED STEEL	
17	SEAT GASKET	NON ASBESTOS / ARIMID FIBER	
18	SEAT	STAINLESS STEEL OR CAST CHROME CARBIDE	
20	LIP SEAL	EPDM OR HNBR	
21	JAM NUT	PLATED STEEL	
22	LOCK PIN	17-4 SS	



ENGINEERED FOR LIFE

ITT Engineered Valves
33 Centerville Road
Lancaster, PA 17603, USA
Tel: +1 (717) 509-2200

**Cam-Line, Cam-Tite, Dia-Flo,
EnviZion, Pure-Flo, Skotch**

ITT Engineered Valves
1110 Bankhead Avenue
Amory, MS 38821, USA
Tel: +1 (662) 256-7185

Fabri-Valve

ITT Industries Ltd.
Weycroft Avenue,
Millwey Rise Industrial Estate
Axminster, EX13 5HU, United Kingdom
Tel: +44 1297-639100

EnviZion, Pure-Flo