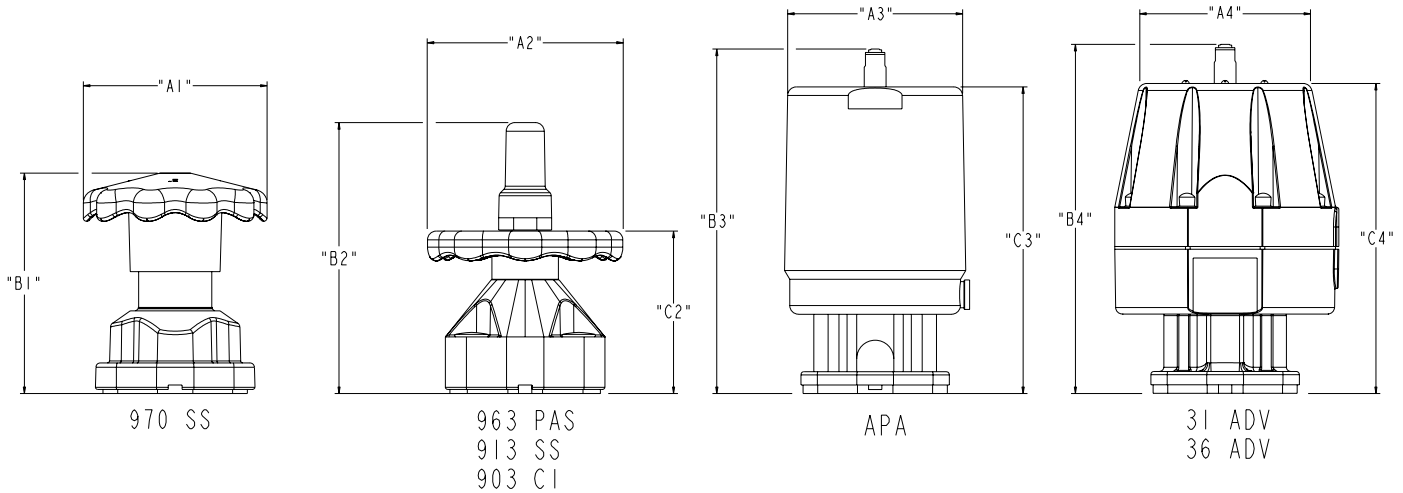


1/2" - 2" Envelope Dimensions



Valve Size	970 SS		963, 913, 903			APA			ADV		
	"A1"	"B1"*	"A2"	"B2"*	"C2"	"A3"	"B3"*	"C3"	"A4"	"B4"*	"C4"
0.50 ¹	2.75	3.56	3.00	3.28	2.41	2.75	4.54	4.11	2.46	4.53	4.20
[DN15] ¹	[69,9]	[90,4]	[76,2]	[83,3]	[61,2]	[69,9]	[115,3]	[104,4]	[62,5]	[115,1]	[106,7]
0.50 ²	N/A	N/A	N/A	N/A	N/A	N/A	N/A	N/A	3.00	5.10	4.82
[DN15] ²									[76,2]	[129,5]	[122,4]
0.75	2.75	3.82	3.00	4.13	3.00	3.38	5.43	5.02	3.00	5.56	5.15
[DN20]	[69,9]	[97,0]	[76,2]	[104,9]	[76,2]	[85,9]	[137,9]	[127,5]	[76,2]	[141,2]	[130,8]
1.00	2.75	4.32	3.00	4.87	3.54	3.38	5.74	5.28	3.00	5.93	5.32
[DN25]	[69,9]	[109,7]	[76,2]	[123,7]	[89,9]	[85,9]	[145,8]	[134,1]	[76,2]	[150,6]	[135,1]
1.50	5.25	5.63	5.50	7.40	4.30	5.00	9.31	8.57	4.88	9.52	8.66
[DN40]	[133,4]	[143,0]	[139,7]	[188,0]	[109,2]	[127,0]	[236,5]	[217,7]	[124,0]	[242,1]	[220,0]
2.00	5.25	6.30	5.50	7.74	4.64	5.00	9.85	8.77	4.88	10.00	8.66
[DN50]	[133,4]	[160,0]	[139,7]	[176,6]	[117,9]	[127,0]	[250,2]	[222,8]	[124,0]	[254,0]	[220,0]

Dimensions: Inches [mm]

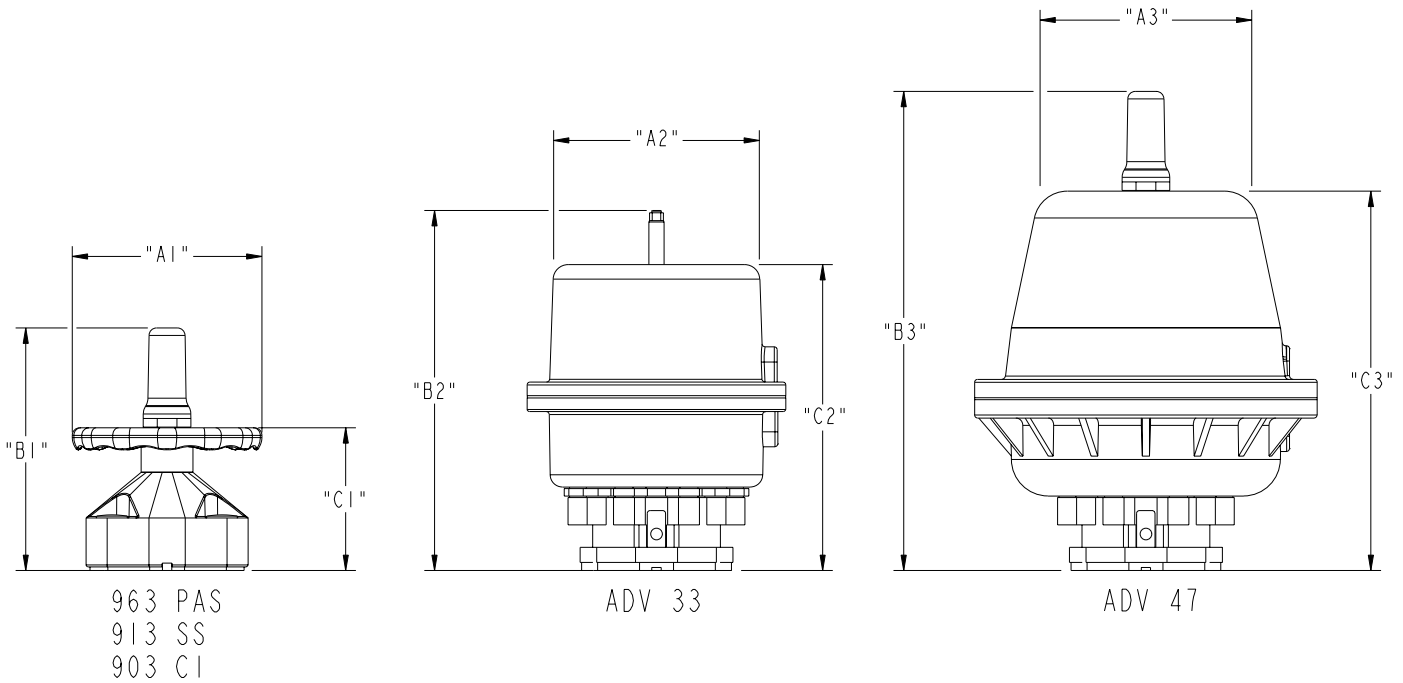
¹ Not for 1/2" Bio-Tek

² For 1/2" A208 ADV only

* Dimensions with valve fully open

Please contact ITT Engineered Valves for the latest drawing and dimensional information. The above drawing should only be used as a general reference.

2 1/2" - 4" Envelope Dimensions



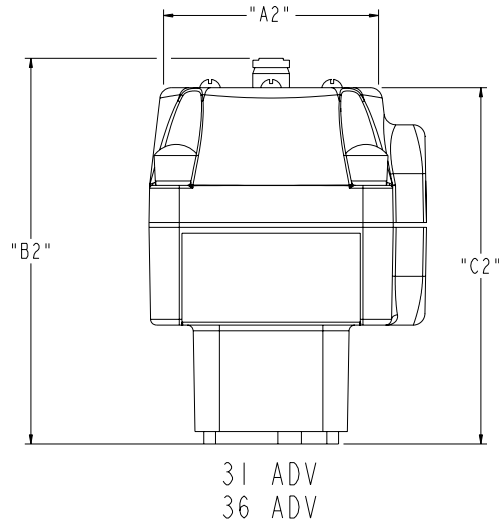
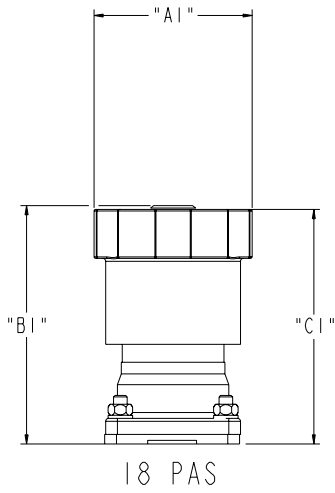
Valve Size	963, 913, 903			ADV33			ADV47		
	"A1"	"B2"*	"C1"	"A2"	"B2"*	"C2"	"A3"	"B3"*	"C3"
2.50	7.75	9.91	5.83	8.41	14.73	12.50	8.65	19.58	15.50
[DN65]	[196,9]	[251,7]	[148,1]	[213,6]	[374,1]	[317,5]	[219,7]	[497,3]	[393,7]
3.00	7.75	9.91	5.83	8.41	14.73	12.50	8.65	19.58	15.50
[DN80]	[196,9]	[251,7]	[148,1]	[213,6]	[374,1]	[317,5]	[219,7]	[497,3]	[393,7]
4.00	10.15	12.16	7.50	8.40	15.26	13.08	8.65	20.16	16.09
[DN100]	[257,8]	[308,9]	[190,5]	[213,4]	[387,6]	[332,2]	[219,7]	[512,1]	[408,7]

Dimensions: Inches [mm]

* Dimensions with valve fully open

Please contact ITT Engineered Valves for the latest drawing and dimensional information. The above drawing should only be used as a general reference.

Bio-Tek Dimensions



Valve Size	19 PAS			ADV		
	"A1"	"B1"*	"C1"	"A2"	"B2"*	"C2"
0.25	1.62	2.44	2.40	2.25	3.95	3.65
[DN8]	[41,1]	[62,0]	[61,0]	[57,2]	[100,3]	[92,7]
0.38	1.62	2.44	2.40	2.25	3.95	3.65
[DN10]	[41,1]	[62,0]	[61,0]	[57,2]	[100,3]	[92,7]
0.50	1.62	2.44	2.40	2.25	3.95	3.65
[DN15]	[41,1]	[62,0]	[61,0]	[57,2]	[100,3]	[92,7]

Dimensions: Inches [mm]

* Dimensions with valve fully open

Please contact ITT Engineered Valves for the latest drawing and dimensional information. The above drawing should only be used as a general reference.

How to Order Topworks for Block Body Valves

Manual Topworks

1.5" 963 manual bonnet (plastic PAS rising handwheel with travel stop) with no valve body, EPDM compound 17 (FDA) diaphragm, viton seal, sanitary internals, PPS cap.

Figure Number: 1.5-N-17-963-S2-M2-M17

Configuration Example		1.5	N	17	963			S2	M2-M17			
Manual Bonnets & Accessories	Valve Size	1.5										
	Body (Not Supplied)		N									
	Diaphragm			17								
	Manual Bonnets				963							
	Weep Holes											
	Electropolish Topworks											
	Optional Coatings											
	Bonnet Seal Materials							S2				
	Optional Bonnet Internals*								M2-M17			
	Optional Body/Bonnet Bolting											
	Yoke											
	Locking Device											
	Extended Stem											

*Multiple selections allowed

Actuated Topworks

.5" Advantage Actuator (reverse acting # 8 with 90# spring) with stainless steel bonnet and no valve body, EPDM compound 17 (FDA) diaphragm, bronze compressor.

Figure Number: .5-N-17-31-M7-A209

Configuration Example		.5	N	17	31			M7				A209
Actuated Bonnets & Accessories	Valve Size	.5										
	Body (Not Supplied)		N									
	Diaphragm			17								
	Actuated Bonnets				31							
	Weep Holes											
	Electropolish Topworks											
	Optional Coatings											
	Bonnet Seal Materials							M7				
	Optional Bonnet Internals*											
	Optional Body/Bonnet Bolting											
	Yoke											
	Locking Device											
	Extended Stem											
Actuator Options											A209	

*Multiple selections allowed

Note: See PFTOP brochure for additional information.

Example of a complete figure number for block body valve and topworks:

ISG-1.5-2-.5-SVPF-R-W-6-1-0

1.5-N-17-963-S2-M2-M17

.5-N-17-31-M7-A209



ITT Engineered Valves
33 Centerville Road
Lancaster, PA 17603, USA
Tel: +1 (717) 509-2200

Cam-Line, Cam-Tite, Dia-Flo,
EnviZion, Pure-Flo, Skotch

ITT Engineered Valves
1110 Bankhead Avenue
Amory, MS 38821, USA
Tel: +1 (662) 256-7185

Fabri-Valve

ITT Bornemann GmbH
31683 Obernkirchen
Germany
Tel: +49 5724 390-0

EnviZion, Pure-Flo