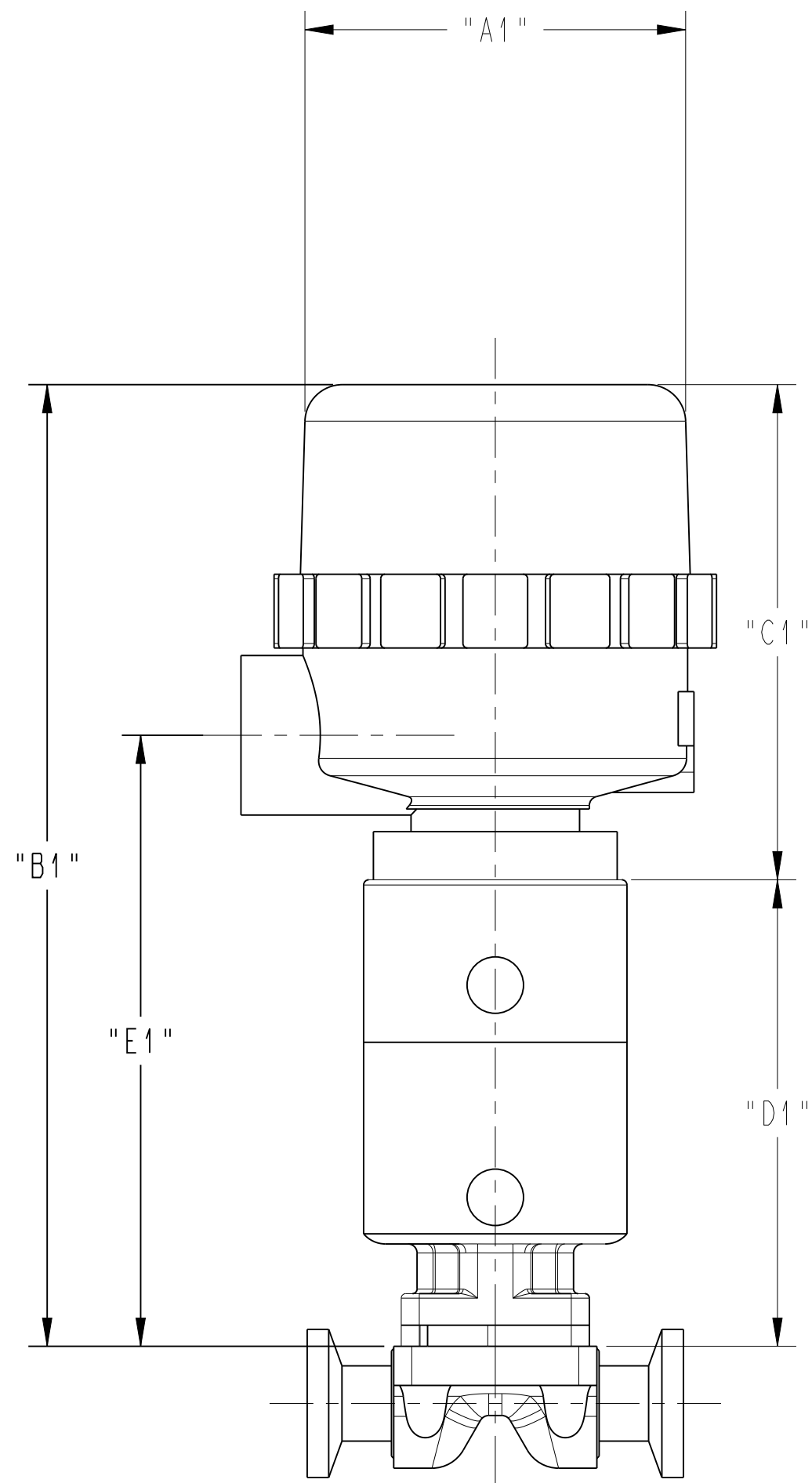
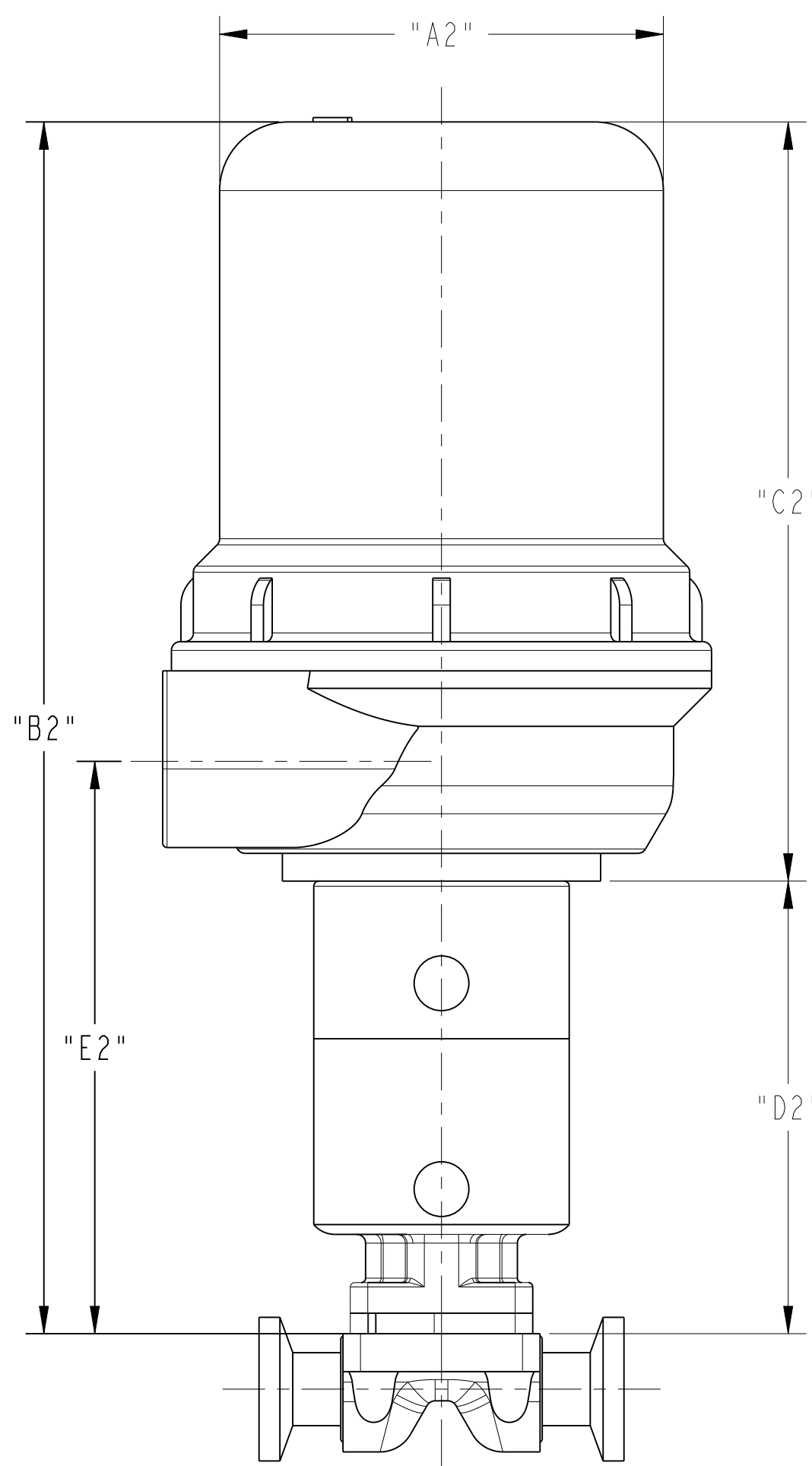


VALVE SIZE	VSP W/ ACS ACTR					SP2 W/ ACS ACTR					SP3 W/ ACS ACTR				
	"A1"	"B1"	"C1"	"D1"	"E1"	"A2"	"B2"	"C2"	"D2"	"E2"	"A3"	"B3"	"C3"	"D3"	"E3"
00.25 [DN8]	2.53 [64,3]	6.39 [162,3]	3.29 [83,6]	3.10 [78,7]	4.06 [103,1]	3.04 [77,2]	8.33 [211,6]	5.23 [132,8]	3.10 [78,7]	3.92 [99,6]	2.53 [64,3]	6.39 [162,3]	3.29 [83,6]	3.10 [78,7]	4.06 [103,1]
00.38 [DN10]	2.53 [64,3]	6.39 [162,3]	3.29 [83,6]	3.10 [78,7]	4.06 [103,1]	3.04 [77,2]	8.33 [211,6]	5.23 [132,8]	3.10 [78,7]	3.92 [99,6]	2.53 [64,3]	6.39 [162,3]	3.29 [83,6]	3.10 [78,7]	4.06 [103,1]
00.50 [DN15]	2.53 [64,3]	6.39 [162,3]	3.29 [83,6]	3.10 [78,7]	4.06 [103,1]	3.04 [77,2]	8.33 [211,6]	5.23 [132,8]	3.10 [78,7]	3.92 [99,6]	2.53 [64,3]	6.39 [162,3]	3.29 [83,6]	3.10 [78,7]	4.06 [103,1]



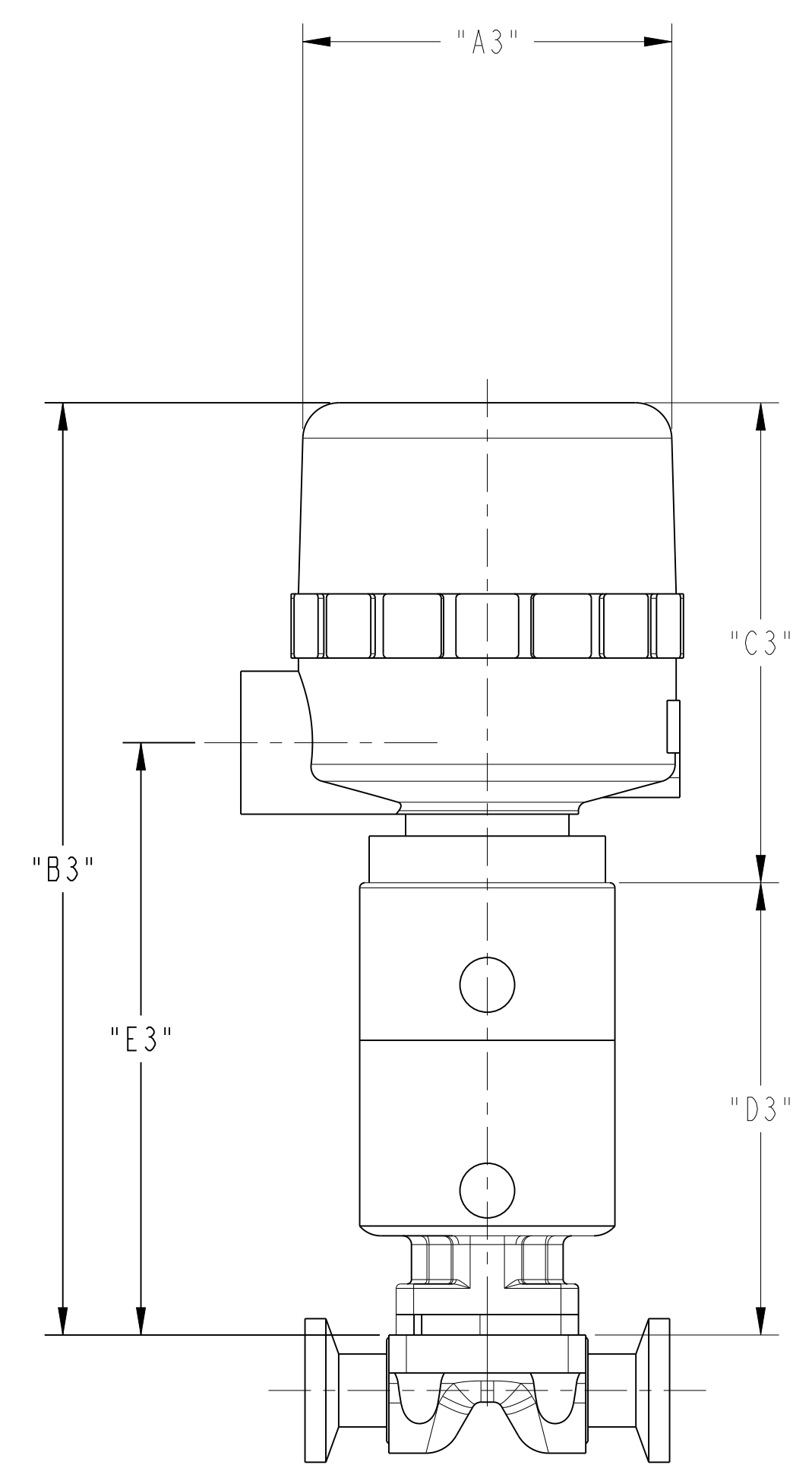
**BIO-PURE  
VSP AND ACS ACTR**

(A)



**BIO-PURE  
SP2 AND ACS ACTR**

(A)



**BIO-PURE  
SP3 AND ACS ACTR**

(A)

THIS DOCUMENT IS THE SOLE PROPERTY OF ITT CORPORATION, OR ITS SUBSIDIARY, AND IS PROVIDED SUBJECT TO RETURN. IT IS ISSUED IN STRICT CONFIDENCE AND SHALL NOT BE REPRODUCED, OR COPIED, OR DISCLOSED IN WHOLE OR IN PART, OR USED AS THE BASIS FOR THE MANUFACTURE OR SALES OF APPARATUS OR PARTS TO WHICH THE DOCUMENT RELATES, WITHOUT THE EXPRESS WRITTEN CONSENT OF ITT CORPORATION, OR ITS SUBSIDIARY. THIS LEGEND SHALL BE MARKED ON ANY REPRODUCTION HEREOF, IN WHOLE OR IN PART. ALL RIGHTS TO THE INFORMATION AND DESIGN DISCLOSED HEREIN ARE RESERVED TO ITT CORPORATION, OR ITS SUBSIDIARY.

P & ID

PURE-FLO ORDER: \_\_\_\_\_ ITEM: \_\_\_\_\_  
 CUSTOMER: \_\_\_\_\_  
 CUSTOMER PO: \_\_\_\_\_  
 OTHER INFO: - \_\_\_\_\_  
 ISSUED BY: \_\_\_\_\_ CERTIFIED BY: \_\_\_\_\_

THIRD ANGLE PROJECTION

UNLESS OTHERWISE SPECIFIED, ALL DIMENSIONS ARE IN INCHES

UNLESS OTHERWISE NOTED	
INCH	MM
X = ± 0.06	X = ± 1,5
.X = ± 0.06	.X = ± 1,5
.XX = ± 0.06	.XX = ± 1,5
.XXX = ± 0.02	.XXX = ± 0,5
X/X = ± 1/16	X° = ± 1°
X° = ± 1°	X° = ± 1°

DATE	BY
DWN 07/16/20	TJS
CHKD 07/16/20	KP
APVD 07/16/20	TJS

BIO-PURE TOPWORKS OUTLINE  
 W/ VSP, SP2 & SP3 SWITCH PACKS  
 00.25 - 00.50

WT: - ECN# 18059 MASTER DWG A26715/A

**ITT** Pure-Flo  
 www.ittpureflo.com

SITE PA C A26715 SHEET 1 OF 1 REV A