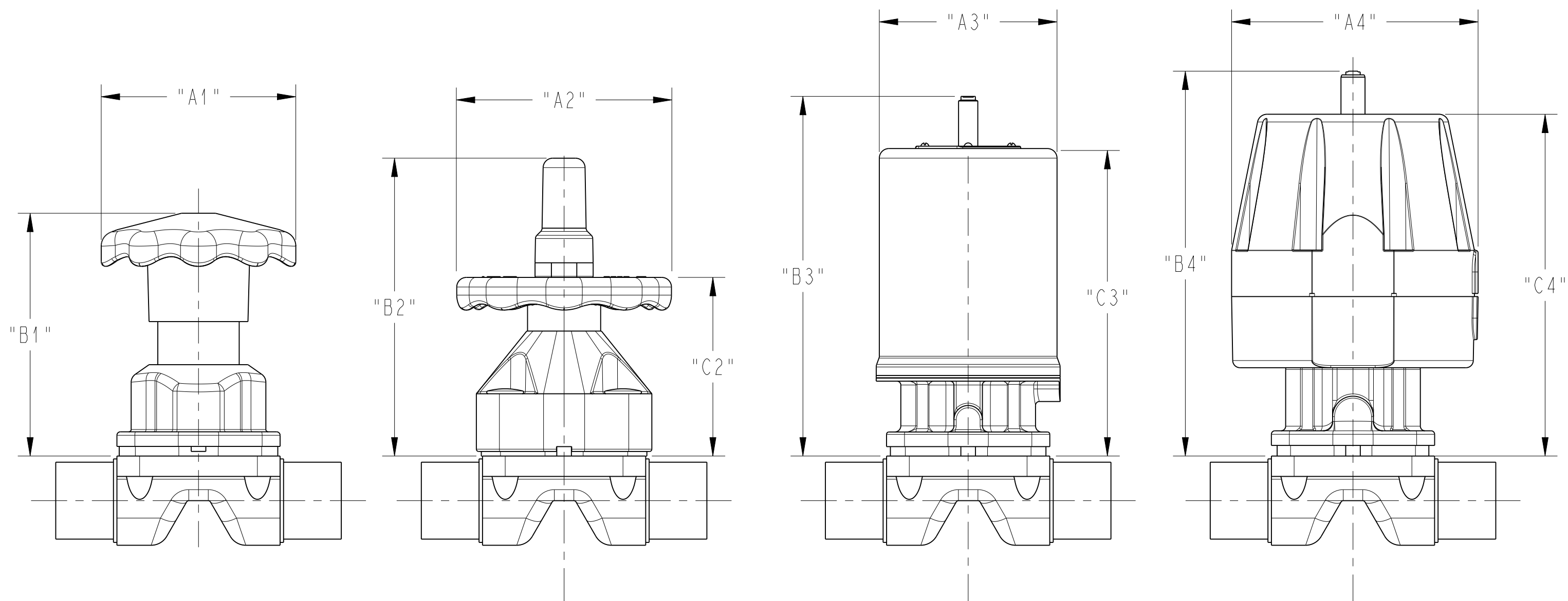


	970 SS		963 - 913 - 903			ACS			ADV		
VALVE SIZE	"A1"	"B1"	"A2"	"B2"	"C2"	"A3"	"B3"	"C3"	"A4"	"B4"	"C4"
* 00.50 [DN15]	2.75 [69,9]	3.56 [90,4]	3.00 [76,2]	3.28 [83,3]	2.41 [61,2]	2.62 [66,5]	4.08 [103,6]	3.73 [94,7]	3.34 [84,8]	4.53 [115,1]	4.20 [106,7]
** 00.50 [DN15]	N/A	N/A	N/A	N/A	N/A	N/A	N/A	N/A	4.54 [115,3]	5.10 [129,5]	4.82 [122,4]
00.75 [DN20]	2.75 [69,9]	3.82 [97,0]	3.00 [76,2]	4.13 [104,9]	3.00 [76,2]	3.12 [79,2]	5.01 [127,3]	4.41 [112,0]	4.54 [115,3]	5.56 [141,2]	5.15 [130,8]
01.00 [DN25]	2.75 [69,9]	4.32 [109,7]	3.00 [76,2]	4.87 [123,7]	3.54 [89,9]	3.12 [79,2]	5.26 [133,6]	4.53 [115,1]	4.54 [115,3]	5.93 [150,6]	5.32 [135,1]
01.50 [DN40]	5.25 [133,4]	5.63 [143,0]	5.50 [139,7]	7.40 [188,0]	4.30 [109,2]	4.62 [117,3]	8.88 [225,6]	7.90 [200,7]	6.41 [162,8]	9.52 [241,8]	8.66 [220,0]
02.00 [DN50]	5.25 [133,4]	6.30 [160,0]	5.50 [139,7]	7.74 [196,6]	4.64 [117,9]	4.62 [117,3]	9.35 [237,5]	8.06 [204,7]	6.41 [162,8]	10.00 [254,0]	8.66 [220,0]

\* NOT FOR 1/2" BIO-TEK  
 \*\* FOR 1/2" A208 ADV ONLY

ⓓ



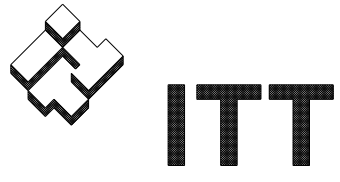
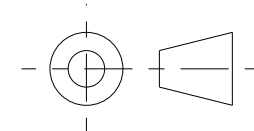
970 SS

963 PAS  
 913 SS  
 903 CI

ACS

31 ADV

THIS DOCUMENT IS THE SOLE PROPERTY OF ITT CORPORATION, OR ITS SUBSIDIARY, AND IS PROVIDED SUBJECT TO RETURN. IT IS ISSUED IN STRICT CONFIDENCE AND SHALL NOT BE REPRODUCED, OR COPIED, OR DISCLOSED IN WHOLE OR IN PART, OR USED AS THE BASIS FOR THE MANUFACTURE OR SALES OF APPARATUS OR PARTS TO WHICH THE DOCUMENT RELATES, WITHOUT THE EXPRESS WRITTEN CONSENT OF ITT CORPORATION, OR ITS SUBSIDIARY. THIS LEGEND SHALL BE MARKED ON ANY REPRODUCTION HEREOF, IN WHOLE OR IN PART. ALL RIGHTS TO THE INFORMATION AND DESIGN DISCLOSED HEREIN ARE RESERVED TO ITT CORPORATION, OR ITS SUBSIDIARY.

PURE-FLO ORDER: -	ITEM: -	THIRD ANGLE PROJECTION	UNLESS OTHERWISE NOTED	DATE	BY	TOPWORKS OUTLINE	 <b>ITT</b> Pure-Flo <a href="http://www.ittpureflo.com">www.ittpureflo.com</a>
CUSTOMER: -			INCH      MM X = ± 0.06      X = ± 1,5 .XX = ± 0.06      .XX = ± 1,5 .XXX = ± 0.02      .XX = ± 1,5 X/X = ± 1/16 X° = ± 1° X° = ± 1°	DWN 10/06/20	LFV	00.50 - 02.00	
CUSTOMER PO: -				CHKD 10/06/20	KRP	-	C      A27241      SHEET REV 1 OF 1      D
OTHER INFO: -		UNLESS OTHERWISE SPECIFIED, ALL DIMENSIONS ARE IN INCHES		APVD 10/06/20	TJS	MASTER DWG: A27241/D	
						ECN# 18146	ISSUED BY: -      CERT BY: -