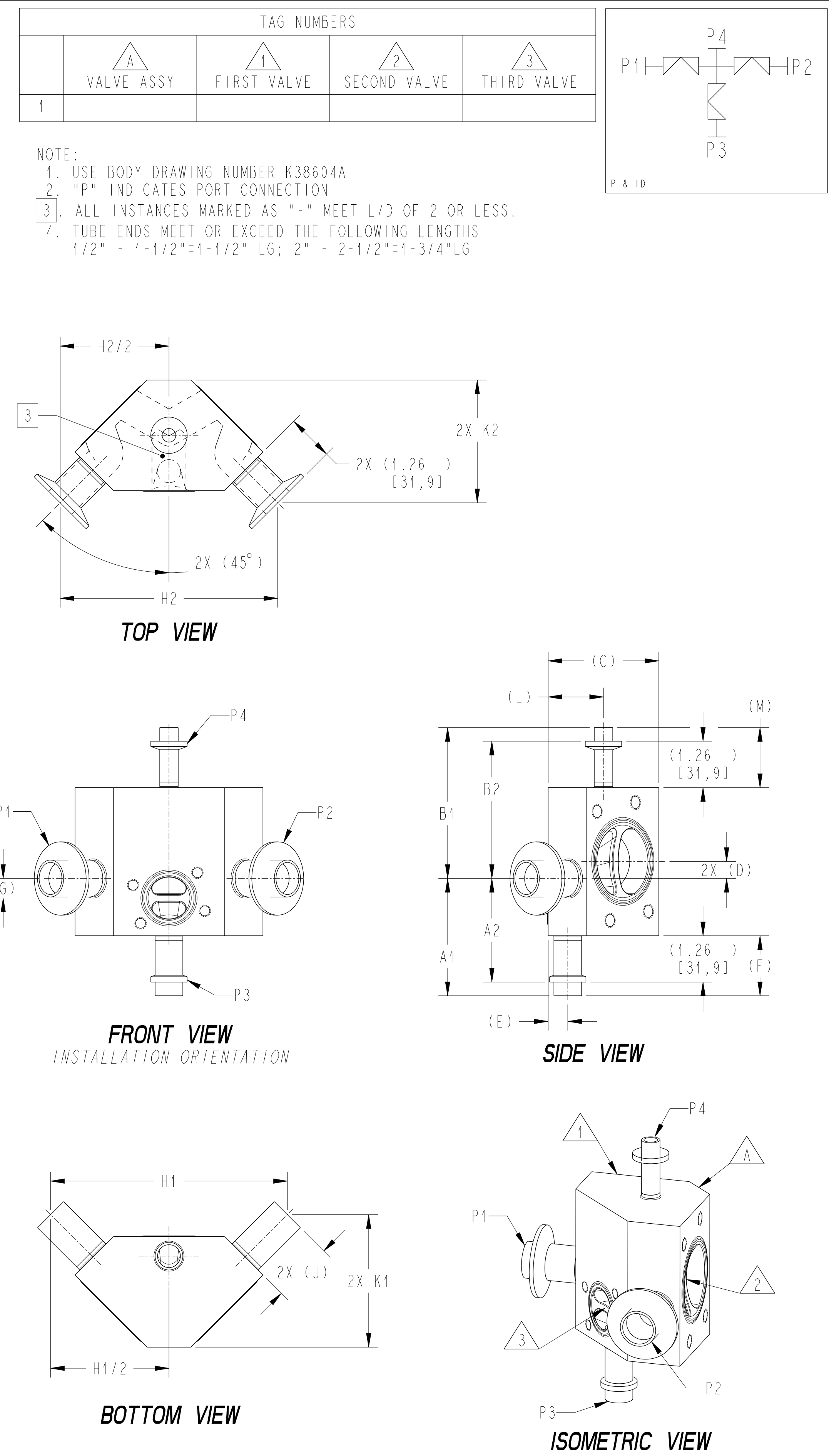


VALVE SIZE	VENT	A1	A2	B1	B2	(C)	(D)	(E)	(F)	(G)	H1	H2	(J)	K1	K2	(L)	(M)	L/D	3
1/2" X 1/2" X 1/2"	1/2"	2.92 [74,3]	2.55 [64,9]	3.20 [81,3]	2.83 [71,9]	(2.07) [52,5]	(0.28) [7,0]	(0.38) [9,5]	(1.63) [41,3]	(0.28) [7,1]	5.64 [143,2]	5.12 [129,9]	(1.63) [41,3]	2.86 [72,6]	2.60 [65,9]	(1.03) [26,3]	(1.63) [41,3]	-	-
3/4"R X 3/4"R X 1/2"	1/2"	3.05 [77,5]	2.68 [68,1]	3.08 [78,1]	2.71 [68,7]	(2.27) [57,7]	(0.15) [3,8]	(0.38) [9,5]	(1.63) [41,3]	(0.40) [10,3]	5.81 [147,6]	5.29 [134,3]	(1.63) [41,3]	2.97 [75,3]	2.70 [68,7]	(1.14) [28,9]	(1.63) [41,3]	-	-
3/4"R X 3/4"R X 1/2"	3/4"	3.05 [77,5]	2.68 [68,1]	3.08 [78,1]	2.71 [68,7]	(2.27) [57,7]	(0.15) [3,8]	(0.38) [9,5]	(1.63) [41,3]	(0.40) [10,3]	5.81 [147,6]	5.29 [134,3]	(1.63) [41,3]	2.97 [75,3]	2.70 [68,7]	(1.04) [26,3]	(1.63) [41,3]	-	-
3/4"R X 3/4"R X 3/4"R	1/2"	3.05 [77,5]	2.68 [68,1]	3.08 [78,1]	2.71 [68,7]	(2.27) [57,7]	(0.15) [3,8]	(0.53) [13,5]	(1.63) [41,3]	(0.40) [10,3]	5.81 [147,6]	5.29 [134,3]	(1.63) [41,3]	2.97 [75,3]	2.70 [68,7]	(1.14) [28,9]	(1.63) [41,3]	-	-
3/4"R X 3/4"R X 3/4"R	3/4"	3.05 [77,5]	2.68 [68,1]	3.08 [78,1]	2.71 [68,7]	(2.27) [57,7]	(0.15) [3,8]	(0.53) [13,5]	(1.63) [41,3]	(0.40) [10,3]	5.81 [147,6]	5.29 [134,3]	(1.63) [41,3]	2.97 [75,3]	2.70 [68,7]	(1.04) [26,3]	(1.63) [41,3]	-	-
3/4"R X 3/4"R X 3/4"R	1"	3.05 [77,5]	2.68 [68,1]	3.08 [78,1]	2.71 [68,7]	(2.27) [57,7]	(0.15) [3,8]	(0.53) [13,5]	(1.63) [41,3]	(0.40) [10,3]	5.81 [147,6]	5.29 [134,3]	(1.63) [41,3]	2.97 [75,3]	2.70 [68,7]	(0.89) [22,5]	(1.63) [41,3]	-	-
3/4" X 3/4" X 1/2"	1/2"	3.05 [77,4]	2.68 [68,0]	4.21 [107,0]	3.84 [97,6]	(2.78) [70,7]	(0.59) [14,9]	(0.38) [9,5]	(1.63) [41,3]	(0.40) [10,3]	6.01 [152,7]	5.49 [139,4]	(1.63) [41,3]	3.48 [88,3]	3.21 [81,6]	(1.28) [32,4]	(1.63) [41,3]	2.2	-
3/4" X 3/4" X 1/2"	3/4"	3.05 [77,4]	2.68 [68,0]	4.21 [107,0]	3.84 [97,6]	(2.78) [70,7]	(0.59) [14,9]	(0.38) [9,5]	(1.63) [41,3]	(0.40) [10,3]	6.01 [152,7]	5.49 [139,4]	(1.63) [41,3]	3.48 [88,3]	3.21 [81,6]	(1.27) [32,2]	(1.63) [41,3]	-	-
3/4" X 3/4" X 3/4"R	1/2"	3.05 [77,4]	2.68 [68,0]	4.21 [107,0]	3.84 [97,6]	(2.78) [70,7]	(0.59) [14,9]	(0.53) [13,5]	(1.63) [41,3]	(0.40) [10,3]	6.01 [152,7]	5.49 [139,4]	(1.63) [41,3]	3.48 [88,3]	3.21 [81,6]	(1.39) [35,3]	(1.63) [41,3]	-	-
3/4" X 3/4" X 3/4"R	3/4"	3.05 [77,4]	2.68 [68,0]	4.21 [107,0]	3.84 [97,6]	(2.78) [70,7]	(0.59) [14,9]	(0.53) [13,5]	(1.63) [41,3]	(0.40) [10,3]	6.01 [152,7]	5.49 [139,4]	(1.63) [41,3]	3.48 [88,3]	3.21 [81,6]	(1.39) [35,3]	(1.63) [41,3]	-	-
3/4" X 3/4" X 3/4"R	1"	3.05 [77,4]	2.68 [68,0]	4.21 [107,0]	3.84 [97,6]	(2.78) [70,7]	(0.59) [14,9]	(0.53) [13,5]	(1.63) [41,3]	(0.40) [10,3]	6.01 [152,7]	5.49 [139,4]	(1.63) [41,3]	3.48 [88,3]	3.21 [81,6]	(1.35) [34,3]	(1.63) [41,3]	-	-
3/4" X 3/4" X 3/4"	1/2"	3.42 [87,0]	3.05 [77,6]	4.21 [107,0]	3.84 [97,6]	(2.83) [71,9]	(0.59) [14,9]	(0.53) [13,5]	(1.63) [41,3]	(0.42) [10,7]	7.31 [185,7]	6.79 [172,4]	(1.63) [41,3]	3.48 [88,3]	3.21 [81,6]	(1.32) [33,6]	(1.63) [41,3]	-	-
3/4" X 3/4" X 3/4"	3/4"	3.42 [87,0]	3.05 [77,6]	4.21 [107,0]	3.84 [97,6]	(2.83) [71,9]	(0.59) [14,9]	(0.53) [13,5]	(1.63) [41,3]	(0.42) [10,7]	7.31 [185,7]	6.79 [172,4]	(1.63) [41,3]	3.48 [88,3]	3.21 [81,6]	(1.42) [36,0]	(1.63) [41,3]	-	-
3/4" X 3/4" X 3/4"	1"	3.42 [87,0]	3.05 [77,6]	4.21 [107,0]	3.84 [97,6]	(2.83) [71,9]	(0.59) [14,9]	(0.53) [13,5]	(1.63) [41,3]	(0.42) [10,7]	7.31 [185,7]	6.79 [172,4]	(1.63) [41,3]	3.48 [88,3]	3.21 [81,6]	(1.40) [35,6]	(1.63) [41,3]	-	-
1" X 1" X 1/2"	1/2"	3.17 [80,6]	2.80 [71,2]	4.09 [103,8]	3.72 [94,4]	(2.99) [76,1]	(0.46) [11,7]	(0.38) [9,5]	(1.63) [41,3]	(0.53) [13,4]	6.41 [162,8]	5.89 [149,6]	(1.63) [41,3]	3.59 [91,1]	3.33 [84,5]	(1.31) [33,3]	(1.63) [41,3]	2.2	-
1" X 1" X 1/2"	3/4"	3.17 [80,6]	2.80 [71,2]	4.09 [103,8]	3.72 [94,4]	(2.99) [76,1]	(0.46) [11,7]	(0.38) [9,5]	(1.63) [41,3]	(0.53) [13,4]	6.41 [162,8]	5.89 [149,6]	(1.63) [41,3]	3.59 [91,1]	3.33 [84,5]	(1.30) [33,0]	(1.63) [41,3]	-	-
1" X 1" X 1/2"	1"	3.17 [80,6]	2.80 [71,2]	4.09 [103,8]	3.72 [94,4]	(2.99) [76,1]	(0.46) [11,7]	(0.38) [9,5]	(1.63) [41,3]	(0.53) [13,4]	6.41 [162,8]	5.89 [149,6]	(1.63) [41,3]	3.59 [91,1]	3.33 [84,5]	(1.44) [36,5]	(1.63) [41,3]	-	-
1" X 1" X 3/4"R	1/2"	3.17 [80,6]	2.80 [71,2]	4.09 [103,8]	3.72 [94,4]	(2.99) [76,1]	(0.46) [11,7]	(0.53) [13,5]	(1.63) [41,3]	(0.53) [13,4]	6.41 [162,8]	5.89 [149,6]	(1.63) [41,3]	3.59 [91,1]	3.33 [84,5]	(1.50) [38,0]	(1.63) [41,3]	-	-
1" X 1" X 3/4"R	3/4"	3.17 [80,6]	2.80 [71,2]	4.09 [103,8]	3.72 [94,4]	(2.99) [76,1]	(0.46) [11,7]	(0.53) [13,5]	(1.63) [41,3]	(0.53) [13,4]	6.41 [162,8]	5.89 [149,6]	(1.63) [41,3]	3.59 [91,1]	3.33 [84,5]	(1.50) [38,0]	(1.63) [41,3]	-	-
1" X 1" X 3/4"R	1"	3.17 [80,6]	2.80 [71,2]	4.09 [103,8]	3.72 [94,4]	(2.99) [76,1]	(0.46) [11,7]	(0.53) [13,5]	(1.63) [41,3]	(0.53) [13,4]	6.41 [162,8]	5.89 [149,6]	(1.63) [41,3]	3.59 [91,1]	3.33 [84,5]	(1.50) [38,0]	(1.63) [41,3]	-	-
1" X 1" X 3/4"	1/2"	3.55 [90,2]	3.18 [80,8]	4.09 [103,8]	3.72 [94,4]	(2.99) [76,1]	(0.46) [11,7]	(0.53) [13,5]	(1.63) [41,3]	(0.54) [13,8]	7.41 [188,2]	6.89 [175,0]	(1.63) [41,3]	3.59 [91,1]	3.33 [84,5]	(1.39) [35,3]	(1.63) [41,3]	-	-
1" X 1" X 3/4"	3/4"	3.55 [90,2]	3.18 [80,8]	4.09 [103,8]	3.72 [94,4]	(2.99) [76,1]	(0.46) [11,7]	(0.53) [13,5]	(1.63) [41,3]	(0.54) [13,8]	7.41 [188,2]	6.89 [175,0]	(1.63) [41,3]	3.59 [91,1]	3.33 [84,5]	(1.50) [38,0]	(1.63) [41,3]	-	-
1" X 1" X 3/4"	1"	3.55 [90,2]	3.18 [80,8]	4.09 [103,8]	3.72 [94,4]	(2.99) [76,1]	(0.46) [11,7]	(0.53) [13,5]	(1.63) [41,3]	(0.54) [13,8]	7.41 [188,2]	6.89 [175,0]	(1.63) [41,3]	3.59 [91,1]	3.33 [84,5]	(1.45) [36,8]	(1.63) [41,3]	-	-
1" X 1" X 3/4"	1-1/2"	3.55 [90,2]	3.18 [80,8]	4.09 [103,8]	3.72 [94,4]	(2.99) [76,1]	(0.46) [11,7]	(0.53) [13,5]	(1.63) [41,3]	(0.54) [13,8]	7.41 [188,2]	6.89 [175,0]	(1.63) [41,3]	3.59 [91,1]	3.33 [84,5]	(1.20) [30,4]	(1.63) [41,3]	-	-
1" X 1" X 1"	1/2"	3.55 [90,2]	3.18 [80,8]	4.09 [103,8]	3.72 [94,4]	(2.99) [76,1]	(0.46) [11,7]	(0.69) [17,5]	(1.63) [41,3]	(0.54) [13,8]	7.41 [188,2]	6.89 [175,0]	(1.63) [41,3]	3.59 [91,1]	3.33 [84,5]	(1.39) [35,3]	(1.63) [41,3]	-	-
1" X 1" X 1"	3/4"	3.55 [90,2]	3.18 [80,8]	4.09 [103,8]	3.72 [94,4]	(2.99) [76,1]	(0.46) [11,7]	(0.69) [17,5]	(1.63) [41,3]	(0.54) [13,8]	7.41 [188,2]	6.89 [175,0]	(1.63) [41,3]	3.59 [91,1]	3.33 [84,5]	(1.50) [38,0]	(1.63) [41,3]	-	-
1" X 1" X 1"	1"	3.55 [90,2]	3.18 [80,8]	4.09 [103,8]	3.72 [94,4]	(2.99) [76,1]	(0.46) [11,7]	(0.69) [17,5]	(1.63) [41,3]	(0.54) [13,8]	7.41 [188,2]	6.89 [175,0]	(1.63) [41,3]	3.59 [91,1]	3.33 [84,5]	(1.45) [36,8]	(1.63) [41,3]	-	-
1" X 1" X 1"	1-1/2"	3.55 [90,2]	3.18 [80,8]	4.09 [103,8]	3.72 [94,4]	(2.99) [76,1]	(0.46) [11,7]	(0.69) [17,5]	(1.63) [41,3]	(0.54) [13,8]	7.41 [188,2]	6.89 [175,0]	(1.63) [41,3]	3.59 [91,1]	3.33 [84,5]	(1.20) [30,4]	(1.63) [41,3]	-	-
1-1/2" X 1-1/2" X 1/2"	1/2"	3.80 [96,5]	3.43 [87,1]	4.84 [122,9]	4.47 [113,5]	(4.26) [108,2]	(0.53) [13,3]	(0.38) [9,5]	(1.63) [41,3]	(0.78) [19,8]	7.29 [185,1]	6.77 [171,9]	(1.63) [41,3]	4.61 [117,2]	4.35 [110,5]	(2.12) [53,7]	(1.63) [41,3]	3.7	-
1-1/2" X 1-1/2" X 1/2"	3/4"	3.80 [96,5]	3.43 [87,1]	4.84 [122,9]	4.47 [113,5]	(4.26) [108,2]	(0.53) [13,3]	(0.38) [9,5]	(1.63) [41,3]	(0.78) [19,8]	7.29 [185,1]	6.77 [171,9]	(1.63) [41,3]	4.61 [117,2]	4.35 [110,5]	(1.99) [50,6]	(1.63) [41,3]	3.3	-
1-1/2" X 1-1/2" X 1/2"	1"	3.80 [96,5]	3.43 [87,1]	4.84 [122,9]	4.47 [113,5]	(4.26) [108,2]	(0.53) [13,3]	(0.38) [9,5]	(1.63) [41,3]	(0.78) [19,8]	7.29 [185,1]	6.77 [171,9]	(1.63) [41,3]	4.61 [117,2]	4.35 [110,5]	(1.88) [47,6]	(1.63) [41,3]	2.8	-
1-1/2" X 1-1/2" X 3/4"R	1/2"	3.80 [96,5]	3.43 [87,1]	4.84 [122,9]	4.47 [113,5]	(4.26) [108,2]	(0.53) [13,3]	(0.53) [13,5]	(1.63) [41,3]	(0.78) [19,8]	7.29 [185,1]	6.77 [171,9]	(1.63) [41,3]	4.61 [117,2]	4.35 [110,5]	(2.12) [53,7]	(1.63) [41,3]	2.5	-
1-1/2" X 1-1/2" X 3/4"R	3/4"	3.80 [96,5]	3.43 [87,1]	4.84 [122,9]	4.47 [113,5]	(4.26) [108,2]	(0.53) [13,3]	(0.53) [13,5]	(1.63) [41,3]	(0.78) [19,8]	7.29 [185,1]	6.77 [171,9]	(1.63) [41,3]	4.61 [117,2]	4.35 [110,5]	(1.99) [50,6]	(1.63) [41,3]	2.2	-
1-1/2" X 1-1/2" X 3/4"R	1"	3.80 [96,5]	3.43 [87,1]	4.84 [122,9]	4.47 [113,5]	(4.26) [108,2]	(0.53) [13,3]	(0.53) [13,5]	(1.63) [41,3]	(0.78) [19,8]	7.29 [185,1]	6.77 [171,9]	(1.63) [41,3]	4.61 [117,2]	4.35 [110,5]	(1.93) [49,3]	(1.63) [41,3]	-	-
1-1/2" X 1-1/2" X 3/4"	1/2"	3.80 [96,5]	3.43 [87,1]	4.84 [122,9]	4.47 [113,5]	(4.26) [108,2]	(0.53) [13,3]	(0.53) [13,5]	(1.63) [41,3]	(0.79) [20,2]	7.89 [200,4]	7.37 [187,1]	(1.63) [41,3]	4.61 [117,2]	4.35 [110,5]	(1.94) [49,3]	(1.63) [41,3]	2.3	-
1-1/2" X 1-1/2" X 3/4"	3/4"	3.80 [96,5]	3.43 [87,1]	4.84 [122,9]	4.47 [113,5]	(4.26) [108,2]	(0.53) [13,3]	(0.53) [13,5]	(1.63) [41,3]	(0.79) [20,2]	7.89 [200,4]	7.37 [187,1]	(1.63) [41,3]	4.61 [117,2]	4.35 [110,5]	(1.82) [46,1]	(1.63) [41,3]	-	-



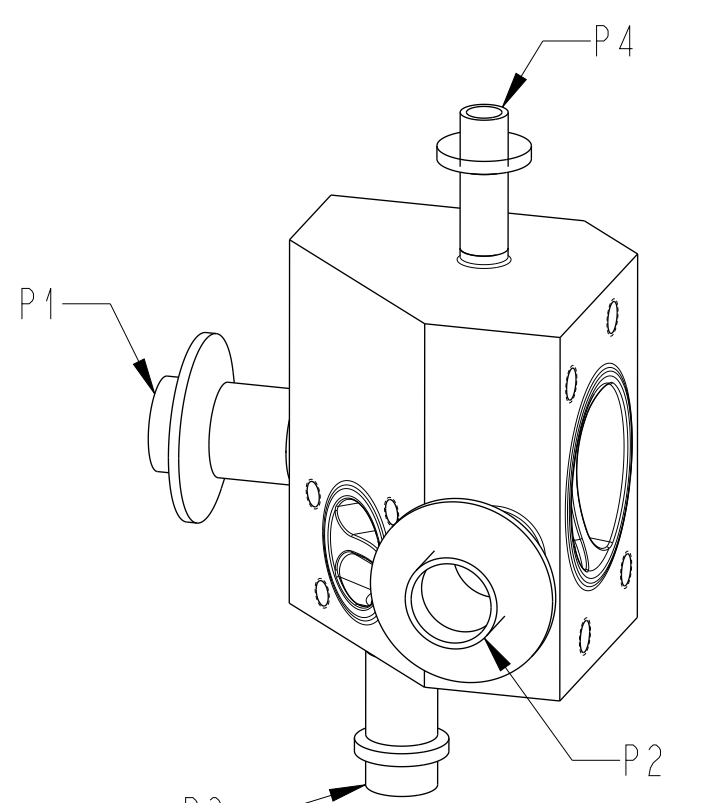
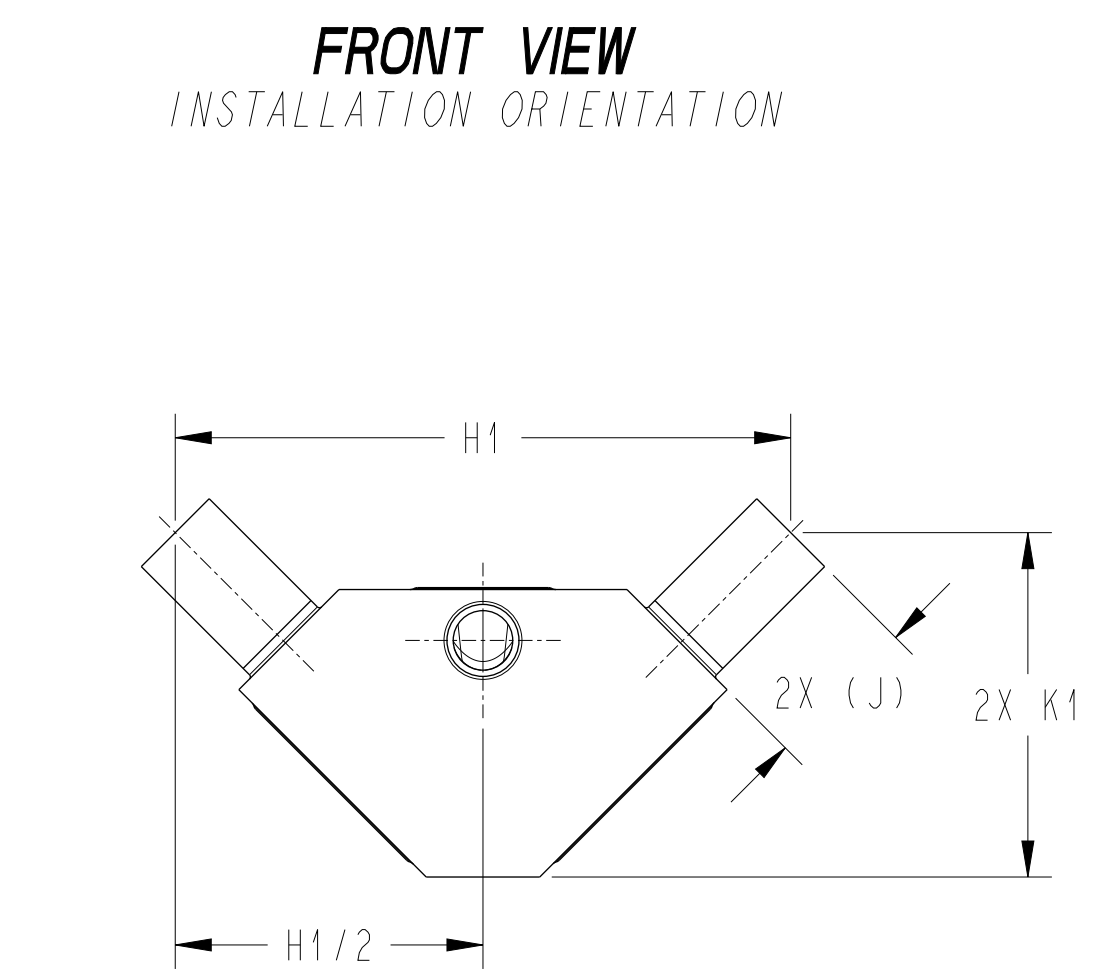
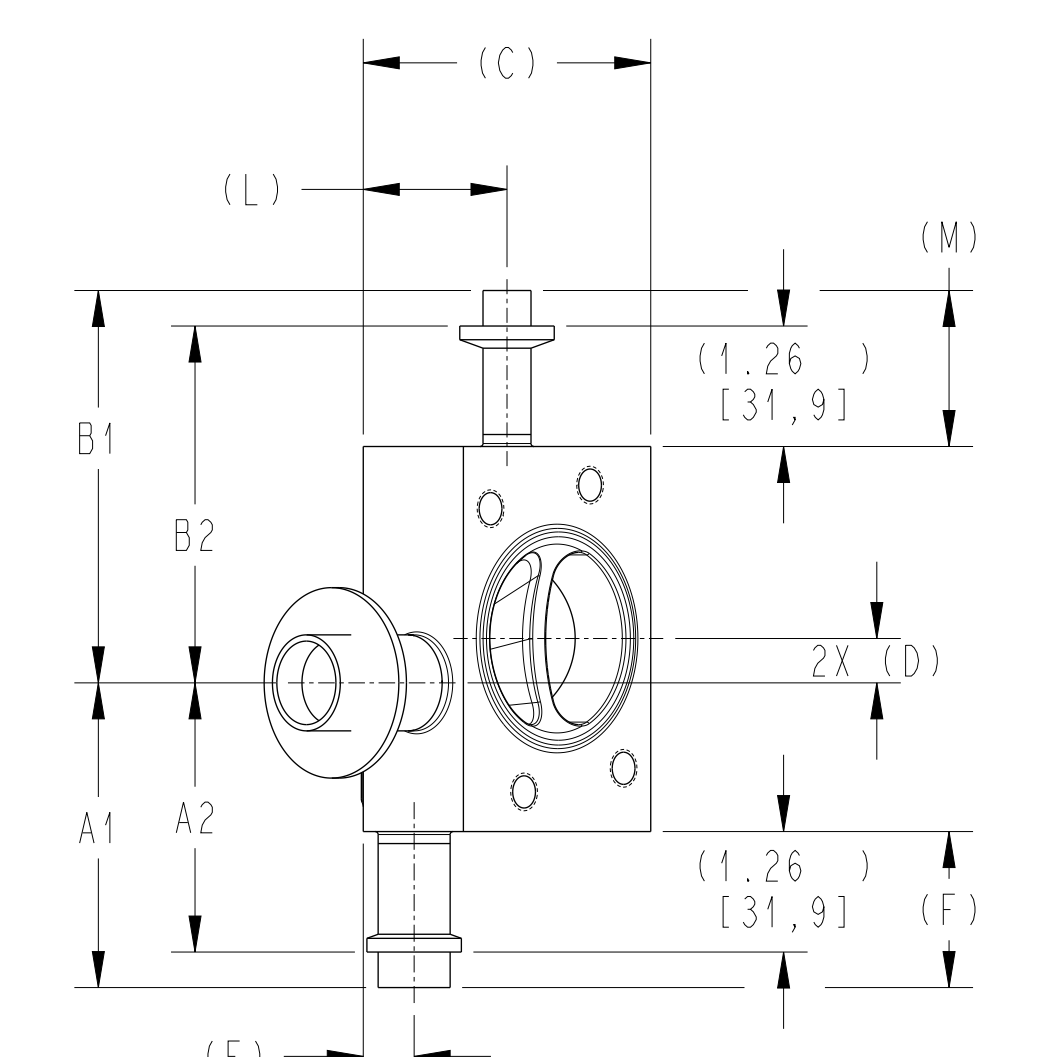
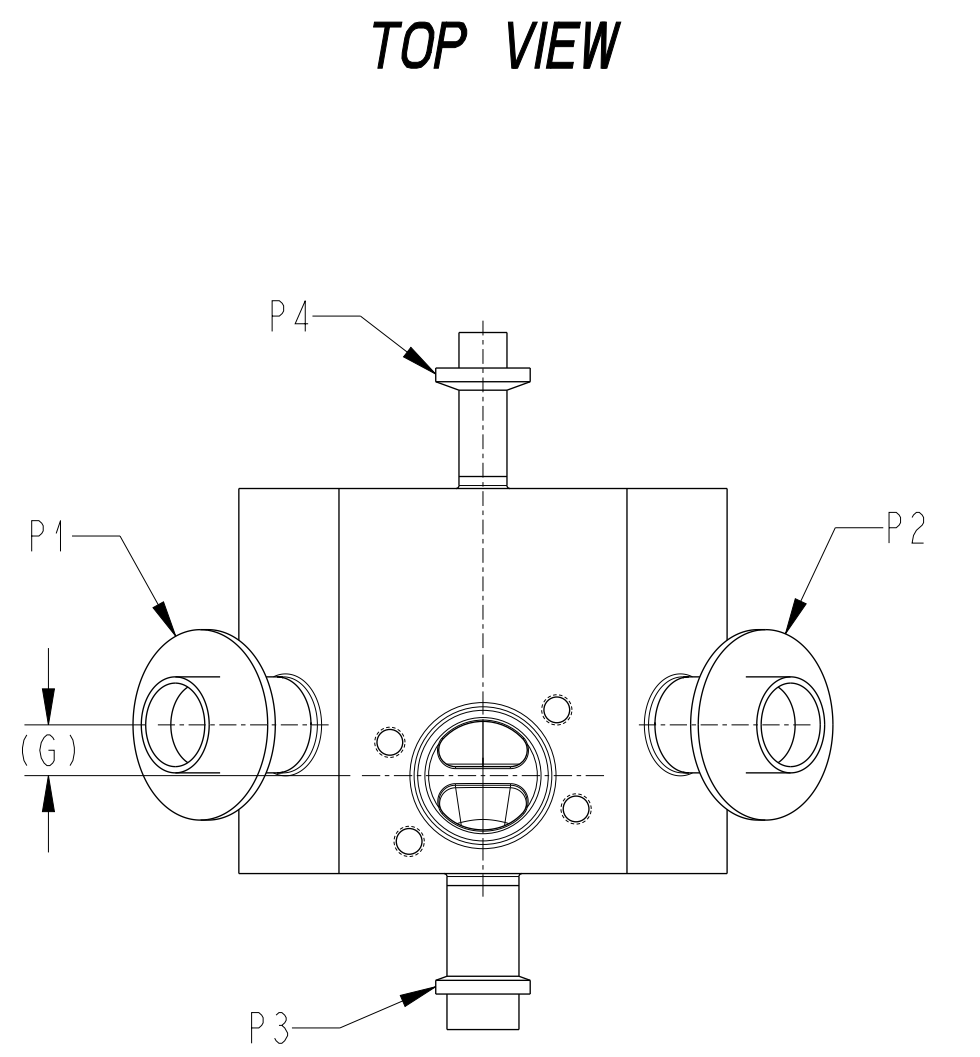
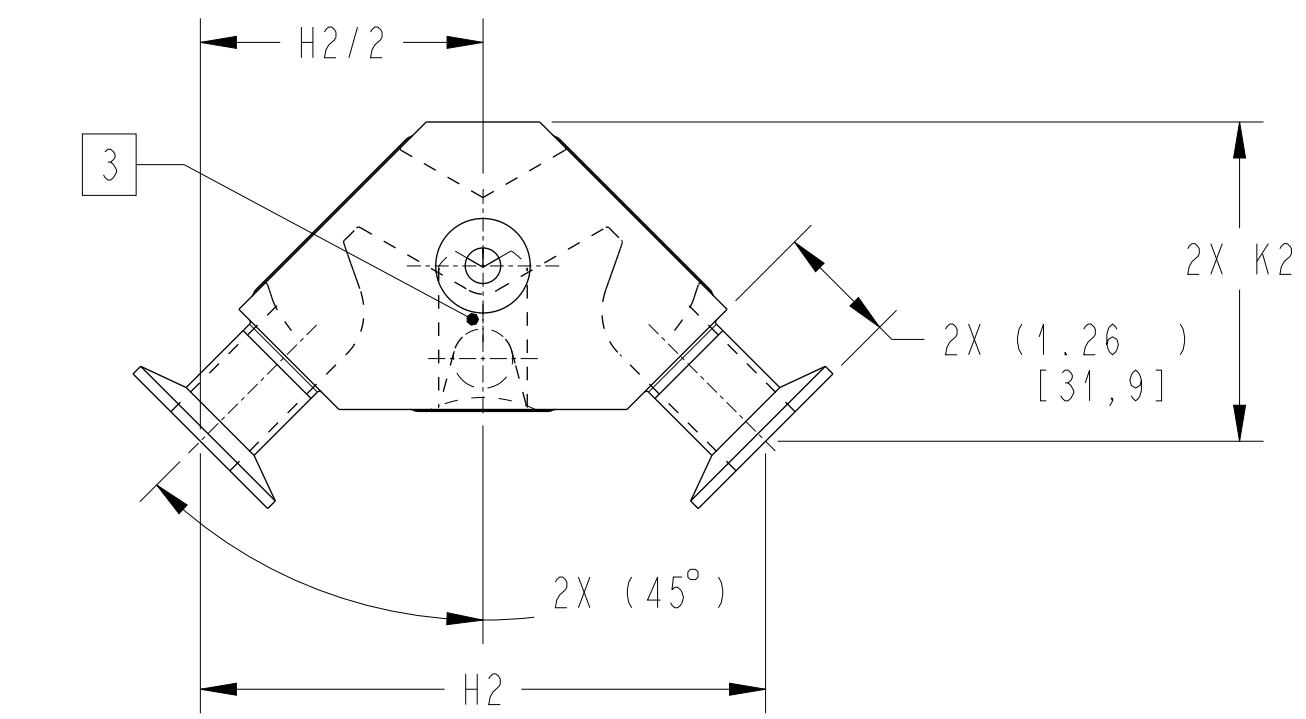
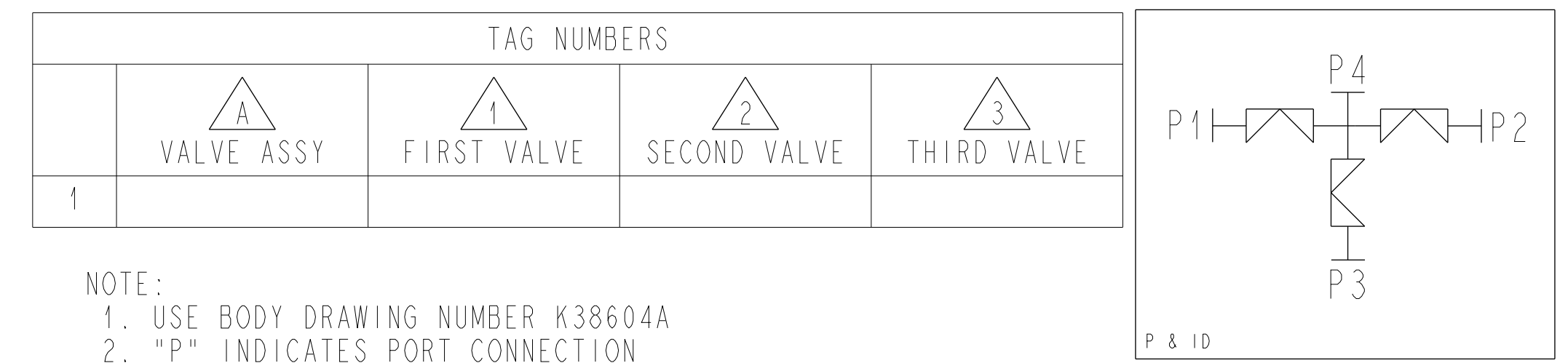
PURE-FLO ORDER: _____ ITEM: _____
 CUSTOMER: _____
 CUSTOMER PO: _____
 OTHER INFO: _____

THIS DOCUMENT IS THE SOLE PROPERTY OF ITT CORPORATION, OR ITS SUBSIDIARY, AND IS PROVIDED SUBJECT TO RETURN. IT IS ISSUED IN STRICT CONFIDENCE AND SHALL NOT BE REPRODUCED, OR COPIED, OR DISCLOSED IN WHOLE OR IN PART, OR USED AS THE BASIS FOR THE MANUFACTURE OR SALES OF APPARATUS OR PARTS TO WHICH THE DOCUMENT RELATES, WITHOUT THE EXPRESS WRITTEN CONSENT OF ITT CORPORATION, OR ITS SUBSIDIARY. THIS LEGEND SHALL BE MARKED ON ANY REPRODUCTION HEREOF, IN WHOLE OR IN PART. ALL RIGHTS TO THE INFORMATION AND DESIGN DISCLOSED HEREIN ARE RESERVED TO ITT CORPORATION, OR ITS SUBSIDIARY.

THIRD ANGLE PROJECTION
 UNLESS OTHERWISE SPECIFIED, ALL DIMENSIONS ARE IN INCHES

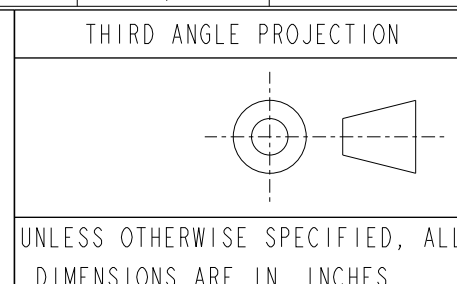
UNLESS OTHERWISE NOTED
 INCH
 .125 ± .006
 .250 ± .006
 .375 ± .006
 .500 ± .006
 .625 ± .006
 .750 ± .006
 .875 ± .006
 1.000 ± .006
 1.125 ± .006
 1.250 ± .006
 1.375 ± .006
 1.500 ± .006
 1.625 ± .006
 1.750 ± .006
 1.875 ± .006
 2.000 ± .006
 2.125 ± .006
 2.250 ± .006
 2.375 ± .006
 2.500 ± .006
 2.625 ± .006
 2.750 ± .006
 2.875 ± .006
 3.000 ± .006
 3.125 ± .006
 3.250 ± .006
 3.375 ± .006
 3.500 ± .006
 3.625 ± .006
 3.750 ± .006
 3.875 ± .006
 4.000 ± .006
 4.125 ± .006
 4.250 ± .006
 4.375 ± .006
 4.500 ± .006
 4.625 ± .006
 4.750 ± .006
 4.875 ± .006
 5.000 ± .006
 5.125 ± .006
 5.250 ± .006
 5.375 ± .006
 5.500 ± .006
 5.625 ± .006
 5.750 ± .006
 5.875 ± .006
 6.000 ± .006
 6.125 ± .006
 6.250 ± .006
 6.375 ± .006
 6.500 ± .006
 6.625 ± .006
 6.750 ± .006
 6.875 ± .006
 7.000 ± .006
 7.125 ± .006
 7.250 ± .006
 7.375 ± .006
 7.500 ± .006
 7.625 ± .006
 7.750 ± .006
 7.875 ± .006
 8.000 ± .006
 8.125 ± .006
 8.250 ± .006
 8.375 ± .006
 8.500 ± .006
 8.625 ± .006
 8.750 ± .006
 8.875 ± .006
 9.000 ± .006
 9.125 ± .006
 9.250 ± .006
 9.375 ± .006
 9.500 ± .006
 9.625 ± .006
 9.750 ± .006
 9.875 ± .006
 10.000 ± .006
 10.125 ± .006
 10.250 ± .006
 10.375 ± .006
 10.500 ± .00

VALVE SIZE	VENT	A1	A2	B1	B2	(C)	(D)	(E)	(F)	(G)	H1	H2	J	K1	K2	(L)	(M)	L/D	3
1-1/2" X 1-1/2" X 3/4"	1"	3.80	3.43	4.84	4.47	(4.26)	(0.53)	(0.53)	(1.63)	(0.79)	7.89	7.37	(1.63)	4.61	4.35	(1.88)	(1.63)	-	-
1-1/2" X 1-1/2" X 3/4"	1-1/2"	3.80	3.43	4.84	4.47	(4.26)	(0.53)	(0.53)	(1.63)	(0.79)	7.89	7.37	(1.63)	4.61	4.35	(2.13)	(1.63)	-	-
1-1/2" X 1-1/2" X 1"	1/2"	3.80	3.43	4.84	4.47	(4.26)	(0.53)	(0.69)	(1.63)	(0.79)	7.89	7.37	(1.63)	4.61	4.35	(2.13)	(1.63)	-	-
1-1/2" X 1-1/2" X 1"	3/4"	3.80	3.43	4.84	4.47	(4.26)	(0.53)	(0.69)	(1.63)	(0.79)	7.89	7.37	(1.63)	4.61	4.35	(2.13)	(1.63)	-	-
1-1/2" X 1-1/2" X 1"	1"	3.80	3.43	4.84	4.47	(4.26)	(0.53)	(0.69)	(1.63)	(0.79)	7.89	7.37	(1.63)	4.61	4.35	(2.13)	(1.63)	-	-
1-1/2" X 1-1/2" X 1"	1-1/2"	3.80	3.43	4.84	4.47	(4.26)	(0.53)	(0.69)	(1.63)	(0.79)	7.89	7.37	(1.63)	4.61	4.35	(1.83)	(1.63)	-	-
1-1/2" X 1-1/2" X 1-1/2"	1/2"	4.39	4.02	4.84	4.47	(4.26)	(0.53)	(1.00)	(1.63)	(0.81)	9.27	8.75	(1.63)	4.61	4.35	(1.91)	(1.63)	-	-
1-1/2" X 1-1/2" X 1-1/2"	3/4"	4.39	4.02	4.84	4.47	(4.26)	(0.53)	(1.00)	(1.63)	(0.81)	9.27	8.75	(1.63)	4.61	4.35	(2.04)	(1.63)	-	-
1-1/2" X 1-1/2" X 1-1/2"	1"	4.39	4.02	4.84	4.47	(4.26)	(0.53)	(1.00)	(1.63)	(0.81)	9.27	8.75	(1.63)	4.61	4.35	(2.13)	(1.63)	-	-
1-1/2" X 1-1/2" X 1-1/2"	1-1/2"	4.39	4.02	4.84	4.47	(4.26)	(0.53)	(1.00)	(1.63)	(0.81)	9.27	8.75	(1.63)	4.61	4.35	(2.01)	(1.63)	-	-
1-1/2" X 1-1/2" X 1-1/2"	2"	4.39	4.02	5.09	4.47	(4.26)	(0.53)	(1.00)	(1.63)	(0.81)	9.27	8.75	(1.63)	4.61	4.35	(1.76)	(1.88)	-	-
2" X 2" X 1/2"	1/2"	4.18	3.81	4.97	4.60	(4.59)	(0.39)	(0.38)	(1.63)	(1.03)	7.45	6.58	(1.88)	5.01	4.57	(2.46)	(1.63)	4.3	-
2" X 2" X 1/2"	3/4"	4.18	3.81	4.97	4.60	(4.59)	(0.39)	(0.38)	(1.63)	(1.03)	7.45	6.58	(1.88)	5.01	4.57	(2.33)	(1.63)	3.9	-
2" X 2" X 1/2"	1"	4.18	3.81	4.97	4.60	(4.59)	(0.39)	(0.38)	(1.63)	(1.03)	7.45	6.58	(1.88)	5.01	4.57	(2.21)	(1.63)	3.4	-
2" X 2" X 3/4"	1/2"	4.18	3.81	4.97	4.60	(4.59)	(0.39)	(0.53)	(1.63)	(1.03)	7.45	6.58	(1.88)	5.01	4.57	(2.46)	(1.63)	2.9	-
2" X 2" X 3/4"	3/4"	4.18	3.81	4.97	4.60	(4.59)	(0.39)	(0.53)	(1.63)	(1.03)	7.45	6.58	(1.88)	5.01	4.57	(2.33)	(1.63)	2.6	-
2" X 2" X 3/4"	1"	4.18	3.81	4.97	4.60	(4.59)	(0.39)	(0.53)	(1.63)	(1.03)	7.45	6.58	(1.88)	5.01	4.57	(2.21)	(1.63)	2.3	-
2" X 2" X 3/4"	1/2"	4.18	3.81	4.97	4.60	(4.59)	(0.39)	(0.53)	(1.63)	(1.04)	8.45	7.58	(1.88)	5.01	4.57	(2.17)	(1.63)	2.5	-
2" X 2" X 3/4"	3/4"	4.18	3.81	4.97	4.60	(4.59)	(0.39)	(0.53)	(1.63)	(1.04)	8.45	7.58	(1.88)	5.01	4.57	(2.04)	(1.63)	2.3	-
2" X 2" X 3/4"	1"	4.18	3.81	4.97	4.60	(4.59)	(0.39)	(0.53)	(1.63)	(1.04)	8.45	7.58	(1.88)	5.01	4.57	(1.92)	(1.63)	-	-
2" X 2" X 3/4"	1-1/2"	4.18	3.81	4.97	4.60	(4.59)	(0.39)	(0.53)	(1.63)	(1.04)	8.45	7.58	(1.88)	5.01	4.57	(2.14)	(1.63)	-	-
2" X 2" X 1"	1/2"	4.18	3.81	4.97	4.60	(4.59)	(0.39)	(0.69)	(1.63)	(1.04)	8.45	7.58	(1.88)	5.01	4.57	(2.19)	(1.63)	-	-
2" X 2" X 1"	3/4"	4.18	3.81	4.97	4.60	(4.59)	(0.39)	(0.69)	(1.63)	(1.04)	8.45	7.58	(1.88)	5.01	4.57	(2.29)	(1.63)	-	-
2" X 2" X 1"	1"	4.18	3.81	4.97	4.60	(4.59)	(0.39)	(0.69)	(1.63)	(1.04)	8.45	7.58	(1.88)	5.01	4.57	(2.29)	(1.63)	-	-
2" X 2" X 1"	1-1/2"	4.18	3.81	4.97	4.60	(4.59)	(0.39)	(0.69)	(1.63)	(1.04)	8.45	7.58	(1.88)	5.01	4.57	(2.29)	(1.63)	-	-
2" X 2" X 1-1/2"	1/2"	4.64	4.27	4.97	4.60	(4.65)	(0.39)	(1.00)	(1.63)	(1.06)	9.98	9.10	(1.88)	5.00	4.56	(2.19)	(1.63)	-	-
2" X 2" X 1-1/2"	3/4"	4.64	4.27	4.97	4.60	(4.65)	(0.39)	(1.00)	(1.63)	(1.06)	9.98	9.10	(1.88)	5.00	4.56	(2.32)	(1.63)	-	-
2" X 2" X 1-1/2"	1"	4.64	4.27	4.97	4.60	(4.65)	(0.39)	(1.00)	(1.63)	(1.06)	9.98	9.10	(1.88)	5.00	4.56	(2.32)	(1.63)	-	-
2" X 2" X 1-1/2"	1-1/2"	4.64	4.27	4.97	4.60	(4.65)	(0.39)	(1.00)	(1.63)	(1.06)	9.98	9.10	(1.88)	5.00	4.56	(2.22)	(1.63)	-	-
2" X 2" X 1-1/2"	2"	4.64	4.27	5.22	4.60	(4.65)	(0.39)	(1.00)	(1.63)	(1.06)	9.98	9.10	(1.88)	5.00	4.56	(1.95)	(1.88)	-	-
2" X 2" X 2"	1/2"	4.94	4.32	4.97	4.60	(4.65)	(0.39)	(1.25)	(1.88)	(1.08)	10.49	9.61	(1.88)	5.00	4.56	(2.05)	(1.63)	-	-
2" X 2" X 2"	3/4"	4.94	4.32	4.97	4.60	(4.65)	(0.39)	(1.25)	(1.88)	(1.08)	10.49	9.61	(1.88)	5.00	4.56	(2.17)	(1.63)	-	-
2" X 2" X 2"	1"	4.94	4.32	4.97	4.60	(4.65)	(0.39)	(1.25)	(1.88)	(1.08)	10.49	9.61	(1.88)	5.00	4.56	(2.30)	(1.63)	-	-
2" X 2" X 2"	1-1/2"	4.94	4.32	4.97	4.60	(4.65)	(0.39)	(1.25)	(1.88)	(1.08)	10.49	9.61	(1.88)	5.00	4.56	(2.22)	(1.63)	-	-
2" X 2" X 2"	2"	4.94	4.32	5.22	4.60	(4.65)	(0.39)	(1.25)	(1.88)	(1.08)	10.49	9.61	(1.88)	5.00	4.56	(1.95)	(1.88)	-	-
2" X 2" X 2"	2-1/2"	4.94	4.32	5.22	4.60	(4.65)	(0.39)	(1.25)	(1.88)	(1.08)	10.49	9.61	(1.88)	5.00	4.56	(1.72)	(1.88)	-	-



PURE-FLO ORDER: _____ ITEM: _____
CUSTOMER: _____
CUSTOMER PO: _____
OTHER INFO: _____

THIS DOCUMENT IS THE SOLE PROPERTY OF ITT CORPORATION, OR ITS SUBSIDIARY, AND IS PROVIDED SUBJECT TO RETURN. IT IS ISSUED IN STRICT CONFIDENCE AND SHALL NOT BE REPRODUCED, OR COPIED, OR DISCLOSED IN WHOLE OR IN PART, OR USED AS THE BASIS FOR THE MANUFACTURE OR SALES OF APPARATUS OR PARTS TO WHICH THE DOCUMENT RELATES, WITHOUT THE EXPRESS WRITTEN CONSENT OF ITT CORPORATION, OR ITS SUBSIDIARY. THIS LEGEND SHALL BE MARKED ON ANY REPRODUCTION HEREOF, IN WHOLE OR IN PART. ALL RIGHTS TO THE INFORMATION AND DESIGN DISCLOSED HEREIN ARE RESERVED TO ITT CORPORATION, OR ITS SUBSIDIARY.



UNLESS OTHERWISE NOTED
INCH MM
X .XX ± 0.06
.X ± 0.06
XXX ± 0.02
X ± 0.01
X ± 0.015
X ± 0.015
X ± 0.015
X ± 0.015

DATE 05/01/24
BY LJV
CHKD 05/01/24 KRP
APVD 05/01/24 TJS

BLOCK & BLEED
W/ DRAIN VALVE & VENT PORT
ENVIZION BODY ASSY.
MASTER DWG: A38654A/-
ECN# 18956

ITT
Pure-Flo
www.ittpureflo.com

D A38654A SHEET 2 OF 2
ISSUE BY: _____ REV: _____
CERT BY: _____