

			MAIN VALVE HORIZONTAL STERILE ACCESS	
			04.00 [100]	CODES
PURGE	00.25 [6] 00.38 [10] 00.50 [15]	A B	4.14 [105,2] 4.39 [111,5]	
	BIO-PURE BIO-TEK 00.25 [6] 00.38 [10] 00.50 [15]	C	5.50 [139,7]	aj
	00.50 [15] STD. VALVE	A B C	4.14 [105,2] 4.39 [111,5] 5.50 [139,7]	aj
	00.75 [20]	A B C	4.14 [105,2] 4.39 [111,5] 5.50 [139,7]	aj
	01.00 [25]	A B C	4.14 [105,2] 4.39 [111,5] 5.50 [139,7]	j
	01.50 [40]	A B C	4.14 [105,2] 4.39 [111,5] 6.39 [162,3]	j
	02.00 [50]	A B C	4.14 [105,2] 4.39 [111,5] 6.39 [162,3]	j
	02.50 [65] 03.00 [80]	A B C	4.14 [105,2] 4.39 [111,5] 10.75 [273,1]	j
	04.00 [100]	A B C	4.14 [105,2] 4.39 [111,5] 10.75 [273,1]	j

			MAIN VALVE HORIZONTAL STERILE ACCESS OFFSETS	
			04.00 [100]	
PURGE	00.25 [6]	S T	1.83 [46,5] 2.69 [68,3]	
	00.38 [10]	S T	1.76 [44,7] 2.57 [65,3]	
	00.50 [15]	S T	1.73 [43,9] 2.50 [63,5]	
	00.75 [20]	S T	1.60 [40,6] 2.50 [63,5]	
	01.00 [25]	S T	1.48 [37,6] 2.50 [63,5]	
	01.50 [40]	S T	1.23 [31,2] 2.38 [60,5]	
	02.00 [50]	S T	0.98 [24,9] 2.25 [57,2]	
	02.50 [65]	S T	0.73 [18,5] 2.50 [63,5]	
	03.00 [80]	S T	0.48 [12,2] 2.50 [63,5]	
	04.00 [100]	S T	--- 2.44 [62,0]	

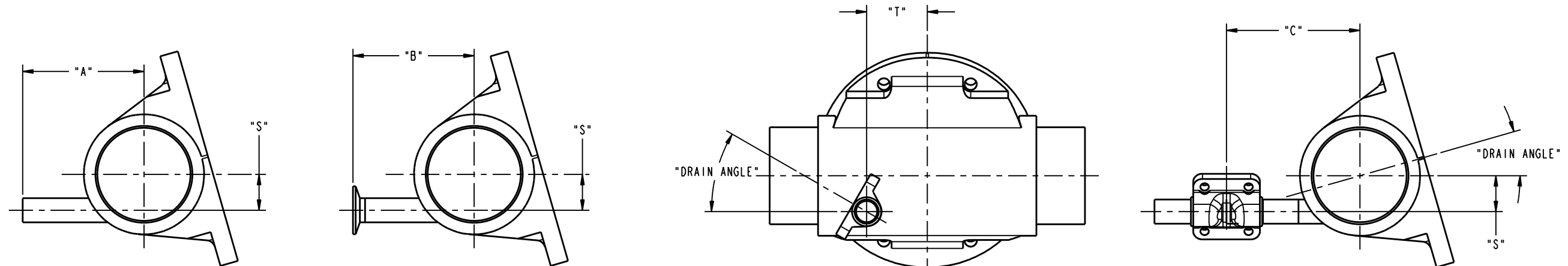
VALVE SIZE	DRAIN ANGLE
BIO-PURE	30°
BIO-TEK	
00.50 [15]	
00.75 [20]	
01.00 [25]	
01.50 [40]	28°
02.00 [50]	23°
02.50 [65]	28°
03.00 [80]	23°
04.00 [100]	16°

NOTE:

1. THESE STANDARDS ARE SUITABLE FOR HANDWHEEL AND ADVANTAGE TOPWORKS ONLY. U.S. O.D. TUBE AND TRI-CLAMP ONLY.

CODES:

a - NON-CONFORMANCE TO "6D" RULE
j - PURGE TUBE REQUIRED FOR BOTH EXT BW AND TC X BW BODIES.



PURE-FLO ORDER: - ITEM: -
CUSTOMER: -
CUSTOMER PO: -
OTHER INFO: -

THIS DOCUMENT IS THE SOLE PROPERTY OF ITT CORPORATION, OR ITS SUBSIDIARY, AND IS PROVIDED SUBJECT TO RETURN. IT IS ISSUED IN STRICT CONFIDENCE AND SHALL NOT BE REPRODUCED, OR COPIED, OR DISCLOSED IN WHOLE OR IN PART, OR USED AS THE BASIS FOR THE MANUFACTURE OR SALES OF APPARATUS OR PARTS TO WHICH THE DOCUMENT RELATES, WITHOUT THE EXPRESS WRITTEN CONSENT OF ITT CORPORATION, OR ITS SUBSIDIARY. THIS LEGEND SHALL BE MARKED ON ANY REPRODUCTION HEREOF, IN WHOLE OR IN PART. ALL RIGHTS TO THE INFORMATION AND DESIGN DISCLOSED HEREIN ARE RESERVED TO ITT CORPORATION, OR ITS SUBSIDIARY.

THIRD ANGLE PROJECTION
UNLESS OTHERWISE SPECIFIED, ALL DIMENSIONS ARE IN INCHES

UNLESS OTHERWISE NOTED
INCH MM
X ± 0.06
XX ± 0.06
XXX ± 0.02
1/2 ± 1/16
1 ± 1/8

DATE BY
DWN 11/23/11 MJM
CHKD 11/23/11 JRD
APVD 11/23/11 JRD

FABRICATION STANDARDS
HORIZONTAL STERILE ACCESS
MASTER DWG: A27567/- ECN# 10383

ITT
www.ittpureflo.com
SHEET 1 OF 1
REV -
ISSUE BY: - CERT BY: -