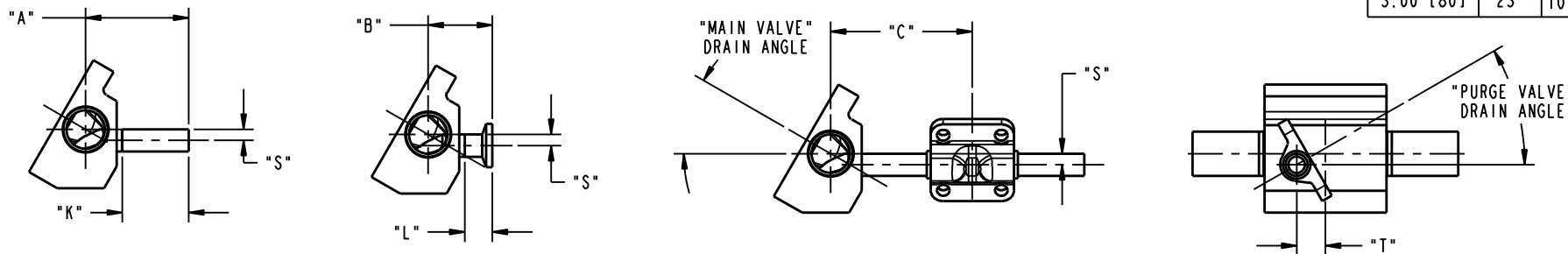


		MAIN VALVE HORIZONTAL STERILE ACCESS												
		BIO-PURE BIO-TEK	0.50 [15]	0.75 [20]	1.00 [25]	1.50 [40]	2.00 [50]	2.50 [65]	3.00 [80]					
		CODES	CODES	CODES	CODES	CODES	CODES	CODES	CODES				CODES	
P U R G E	0.25 [6] 0.375 [10] 0.50 [15]	A B C	1.96 [49,8] 1.58 [40,1] e	2.09 [53,1] 1.09 [27,7]	2.21 [56,1] 1.21 [30,7]	2.33 [59,2] 1.33 [33,8]	2.57 [65,3] 1.57 [39,9]	2.87 [72,9] 1.87 [47,5]	3.31 [84,1] 2.31 [58,7]	3.55 [90,2] 2.55 [64,8]				
	BIO-PURE BIO-TEK	C	2.50 [63,5] ad	2.50 [63,5] ad	2.50 [63,5] ad	2.75 [69,9] a	2.75 [69,9] ad	3.25 [82,6] ad	4.41 [112,0] ad	4.41 [112,0] ad				ad
	0.25 [6] 0.375 [10] 0.50 [15]	C	2.50 [63,5] ad	2.50 [63,5] ad	2.50 [63,5] ad	2.75 [69,9] a	2.75 [69,9] ad	3.25 [82,6] ad	4.41 [112,0] ad	4.41 [112,0] ad				ad
	0.50 [15]	A B C		2.09 [53,1] 1.09 [27,7] 2.75 [69,9]	2.21 [56,1] 1.21 [30,7] 2.75 [69,9]	2.33 [59,2] 1.33 [33,8] 3.20 [81,3]	2.57 [65,3] 1.57 [39,9] 3.30 [83,8]	2.87 [72,9] 1.87 [47,5] 3.50 [88,9]	3.31 [84,1] 2.31 [58,7] 4.66 [118,4]	3.55 [90,2] 2.55 [64,8] 4.66 [118,4]				ad
	0.75 [20]	A B C			2.21 [56,1] 1.21 [30,7] 3.00 [76,2]	2.33 [59,2] 1.33 [33,8] 3.60 [91,4]	2.57 [65,3] 1.57 [39,9] 3.75 [95,3]	2.87 [72,9] 1.87 [47,5] 4.00 [101,6]	3.31 [84,1] 2.31 [58,7] 5.43 [137,9]	3.55 [90,2] 2.55 [64,8] 5.43 [137,9]				ad
	1.00 [25]	A B C				2.33 [59,2] 1.95 [49,5] 3.60 [91,4]	2.57 [65,3] 2.19 [55,6] 3.75 [95,3]	2.87 [72,9] 2.49 [63,2] 4.00 [101,6]	3.31 [84,1] 2.93 [74,4] 5.43 [137,9]	3.55 [90,2] 3.17 [80,5] 5.43 [137,9]				d
	1.50 [40]	A B C					2.57 [65,3] 2.19 [55,6] 4.50 [114,3]	2.87 [72,9] 2.49 [63,2] 4.78 [121,4]	3.31 [84,1] 2.93 [74,4] 5.82 [147,8]	3.55 [90,2] 3.17 [80,5] 5.82 [147,8]				d
	2.00 [50]	A B C						3.12 [79,2] 2.49 [63,2] 4.78 [121,4]	3.56 [90,4] 2.93 [74,4] 5.82 [147,8]	3.80 [96,5] 3.17 [80,5] 5.82 [147,8]				d
	2.50 [65]	A B C							3.56 [90,4] 2.93 [74,4] 9.75 [247,7]	3.80 [96,5] 3.17 [80,5] 9.75 [247,7]				d
	3.00 [80]	A B C								3.80 [96,5] 3.17 [80,5] 9.75 [247,7]				d

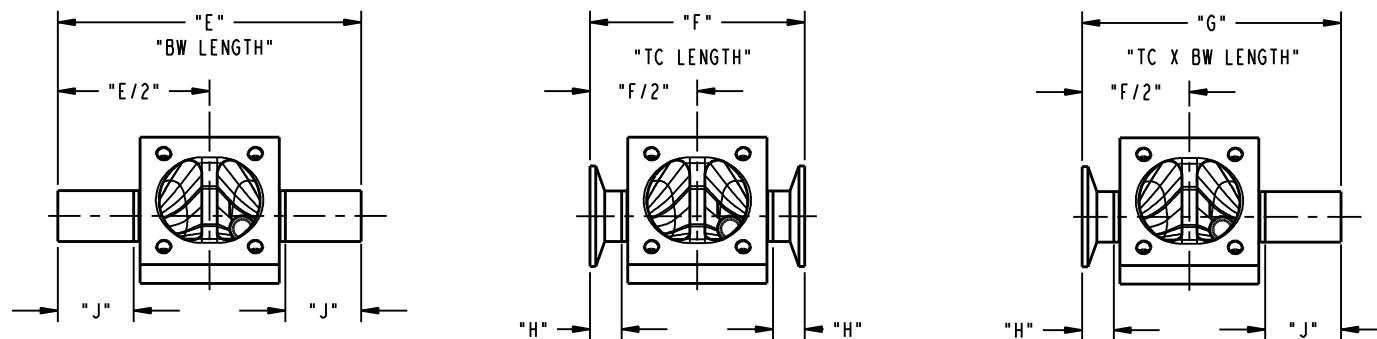
		MAIN VALVE HORIZONTAL STERILE ACCESS OFFSETS								
		BIO-PURE BIO-TEK	0.50 [15]	0.75 [20]	1.00 [25]	1.50 [40]	2.00 [50]	2.50 [65]	3.00 [80]	
P U R G E	0.250 [6]	S T	0.09 [2,3] 0.34 [8,6]	0.22 [5,6] 0.45 [11,4]	0.35 [8,9] 0.55 [14,0]	0.60 [15,2] 0.85 [21,6]	0.85 [21,6] 1.10 [27,9]	1.10 [27,9] 1.40 [35,6]	1.35 [34,3] 1.50 [38,1]	
	0.375 [10]	S T	0.03 [0,8] 0.33 [8,4]	0.16 [4,1] 0.48 [12,2]	0.28 [7,1] 0.65 [16,5]	0.53 [13,5] 0.85 [21,6]	0.78 [19,8] 0.85 [21,6]	1.03 [26,2] 1.40 [35,6]	1.28 [32,5] 1.50 [38,1]	
	0.50 [15]	S T	0.00 [0,0] 0.35 [8,9]	0.12 [3,0] 0.45 [11,4]	0.25 [6,4] 0.65 [16,5]	0.50 [12,7] 0.75 [19,1]	0.75 [19,1] 0.95 [24,1]	1.00 [25,4] 1.40 [35,6]	1.25 [31,8] 1.50 [38,1]	
	0.75 [20]	S T		0.00 [0,0] 0.62 [15,7]	0.13 [3,3] 0.62 [15,7]	0.38 [9,7] 0.75 [19,1]	0.63 [16,0] 1.00 [25,4]	0.88 [22,4] 1.40 [35,6]	1.13 [28,7] 1.50 [38,1]	
	1.00 [25]	S T			0.00 [0,0] 0.62 [15,7]	0.25 [6,4] 0.75 [19,1]	0.50 [12,7] 1.00 [25,4]	0.75 [19,1] 1.40 [35,6]	1.00 [25,4] 1.60 [40,6]	
	1.50 [40]	S T				0.00 [0,0] 0.91 [23,1]	0.25 [6,4] 1.10 [27,9]	0.50 [12,7] 1.40 [35,6]	0.75 [19,1] 1.60 [40,6]	
	2.00 [50]	S T					0.00 [0,0] 1.16 [29,5]	0.25 [6,4] 1.60 [40,6]	0.50 [12,7] 1.70 [43,2]	
	2.50 [65]	S T						0.00 [0,0] 1.60 [40,6]	0.25 [6,4] 1.85 [47,0]	
	3.00 [80]	S T							0.00 [0,0] 1.85 [47,0]	

VALVE/PURGE SIZE/TUBE	DRAIN ANGLE	MAIN VALVE					PURGE VALVE DRAIN ANGLE	PURGE TUBE	
		E BW LENGTH	F TC LENGTH	G TC X BW LENGTH	H	J		K	L
BIO-PURE BIO-TEK	30°	4.72 [119,9]	2.50 [63,5]	3.61 [91,7]	0.39 [9,9]	1.50 [38,1]	30°	1.50 [38,1]	0.50 [12,7] 1.12 [28,4] SEE CODE e
0.50 [15]	30°	5.13 [130,3]	3.50 [88,9]	4.32 [109,7]	0.69 [17,4]	1.50 [38,1]	30°	1.50 [38,1]	0.50 [12,7]
0.75 [20]	30°	5.57 [141,5]	4.00 [101,6]	4.79 [121,7]	0.72 [18,2]	1.50 [38,1]	30°	1.50 [38,1]	0.50 [12,7]
1.00 [25]	30°	6.00 [152,4]	4.50 [114,3]	5.25 [133,4]	0.75 [19,1]	1.50 [38,1]	30°	1.50 [38,1]	1.12 [28,4]
1.50 [40]	28°	6.94 [176,3]	5.50 [139,7]	6.22 [158,0]	0.78 [19,8]	1.50 [38,1]	28°	1.50 [38,1]	1.12 [28,4]
2.00 [50]	23°	8.26 [209,8]	6.25 [158,8]	7.26 [184,4]	0.75 [18,9]	1.75 [44,4]	23°	1.75 [44,4]	1.12 [28,4]
2.50 [65]	28°	10.98 [278,9]	8.75 [222,3]	9.87 [250,7]	0.64 [16,3]	1.75 [44,4]	28°	1.75 [44,4]	1.12 [28,4]
3.00 [80]	23°	10.98 [278,9]	8.75 [222,3]	9.87 [250,7]	0.64 [16,3]	1.75 [44,4]	23°	1.75 [44,4]	1.12 [28,4]



- CODES:
a- NON-CONFORMANCE TO "60" RULE.
c- FOR 0.50 PURGE VALVE WITH A208 ACTUATOR, ROTATE AIR CONNECTION 90° TO PURGE FLOW DIRECTION.
d- PURGE TUBE REQUIRED.
e- FOR BIO-PURE AND BIO-TEK MAIN VALVE, L=1.12 [28,4].

NOTES:
1. THESE STANDARDS ARE SUITABLE FOR HANDWHEEL AND ADVANTAGE TOPWORKS ONLY. US O.D. TUBE AND TRI-CLAMP ONLY.



		MAIN VALVE BIO-PURE/BIO-TEK			
CHART A		0.25 [6]	0.38 [10]	0.50 [15]	
P U R G E	0.25 [6]	S T	0.00 [0,0] 0.27 [6,9]	0.06 [1,5] 0.27 [6,9]	0.09 [2,3] 0.27 [6,9]
	0.375 [10]	S T		0.00 [0,0] 0.27 [6,9]	0.03 [0,8] 0.27 [6,9]
	0.50 [15]	S T			0.00 [0,0] 0.31 [7,9]

PURE-FLO ORDER: - ITEM: -
CUSTOMER: -
CUSTOMER PO: -
OTHER INFO: -

THIS DOCUMENT IS THE SOLE PROPERTY OF ITT CORPORATION, OR ITS SUBSIDIARY, AND IS PROVIDED SUBJECT TO RETURN. IT IS ISSUED IN STRICT CONFIDENCE AND SHALL NOT BE REPRODUCED, OR COPIED, OR DISCLOSED IN WHOLE OR IN PART, OR USED AS THE BASIS FOR THE MANUFACTURE OR SALES OF APPARATUS OR PARTS TO WHICH THE DOCUMENT RELATES, WITHOUT THE EXPRESS WRITTEN CONSENT OF ITT CORPORATION, OR ITS SUBSIDIARY. THIS LEGEND SHALL BE MARKED ON ANY REPRODUCTION HEREOF, IN WHOLE OR IN PART. ALL RIGHTS TO THE INFORMATION AND DESIGN DISCLOSED HEREIN ARE RESERVED TO ITT CORPORATION, OR ITS SUBSIDIARY.

THIRD ANGLE PROJECTION
UNLESS OTHERWISE SPECIFIED, ALL DIMENSIONS ARE IN INCHES

UNLESS OTHERWISE NOTED
INCH MM
X ± 0.06
XX ± 0.06
XXX ± 0.02
1/2 ± 1/16
X ± 0.06
XX ± 0.06
XXX ± 0.02
1/2 ± 1/16

DATE BY
DWN 06/12/12 MJM
CHKD 06/12/12 JRD
APVD 06/12/12 JRD

FABRICATION STANDARDS
HORIZONTAL STERILE ACCESS
WR BP-03.00 WROUGHT
MAIN VALVE

MASTER DWG: A26444/E

ECN# 14306

ISSUE BY:

CERT BY:



Pure-Flo
www.ittpureflo.com

D

A26444

SHEET REV
1 OF 1 E