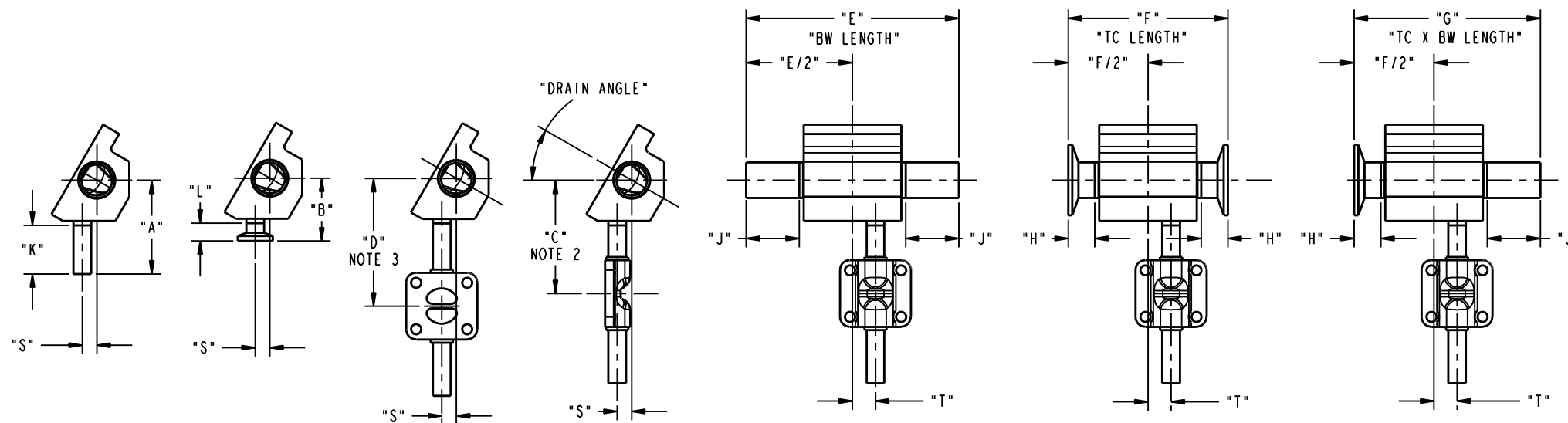


		MAIN VALVE STERILE ACCESS															
		BIO-PURE BIO-TEK	CODES	0.50 [15]	CODES	0.75 [20]	CODES	1.00 [25]	CODES	1.50 [40]	CODES	2.00 [50]	CODES	2.50 [65]	CODES	3.00 [80]	CODES
PURGE	0.25 [6]	A	2.24 [56,9]	e	2.45 [62,2]	2.67 [67,8]	2.77 [70,4]	3.16 [80,3]	3.68 [93,5]	4.40 [111,8]	4.62 [117,3]						
	0.375 [10]	B	1.86 [47,2]		1.45 [36,8]	1.67 [42,4]	1.77 [45,0]	2.16 [54,9]	2.68 [68,1]	3.40 [86,4]	3.62 [91,9]						
	0.50 [15]	C	2.03 [51,6]	a	2.25 [57,2]	2.50 [63,5]	2.50 [63,5]	3.00 [76,2]	3.50 [88,9]	4.41 [112,0]	4.41 [112,0]	a	a	a	a	a	a
	BIO-PURE	C	2.03 [51,6]		2.25 [57,2]	2.50 [63,5]	2.50 [63,5]	3.00 [76,2]	3.50 [88,9]	4.41 [112,0]	4.41 [112,0]	a	a	a	a	a	a
	BIO-TEK	C	2.03 [51,6]		2.25 [57,2]	2.50 [63,5]	2.50 [63,5]	3.00 [76,2]	3.50 [88,9]	4.41 [112,0]	4.41 [112,0]	a	a	a	a	a	a
	0.25 [6]	D	2.40 [61,0]	a	2.40 [61,0]	2.50 [63,5]	3.00 [76,2]	3.25 [82,6]	3.57 [90,7]	4.41 [112,0]	4.50 [114,3]	a	a	a	a	a	a
	0.375 [10]	D	2.40 [61,0]		2.40 [61,0]	2.50 [63,5]	3.00 [76,2]	3.25 [82,6]	3.57 [90,7]	4.41 [112,0]	4.50 [114,3]	a	a	a	a	a	a
	0.50 [15]	D	2.40 [61,0]		2.40 [61,0]	2.50 [63,5]	3.00 [76,2]	3.25 [82,6]	3.57 [90,7]	4.41 [112,0]	4.50 [114,3]	a	a	a	a	a	a
	0.50 [15]	A			2.45 [62,2]	2.67 [67,8]	2.77 [70,4]	3.16 [80,3]	3.68 [93,5]	4.40 [111,8]	4.62 [117,3]						
		B			1.45 [36,8]	1.67 [42,4]	1.77 [45,0]	2.16 [54,9]	2.68 [68,1]	3.40 [86,4]	3.62 [91,9]						
		C			2.88 [73,2]	3.00 [76,2]	3.00 [76,2]	3.50 [88,9]	4.00 [101,6]	5.25 [133,4]	5.25 [133,4]	a	a	a	a	a	a
		D			3.12 [79,2]	3.12 [79,2]	3.60 [91,4]	3.75 [95,3]	4.35 [110,5]	5.44 [138,2]	5.54 [140,7]	ac	ac	ac	ac	ac	ac
0.75 [20]	A				2.67 [67,8]	2.77 [70,4]	3.16 [80,3]	3.68 [93,5]	4.40 [111,8]	4.62 [117,3]							
	B				1.67 [42,4]	1.77 [45,0]	2.16 [54,9]	2.68 [68,1]	3.40 [86,4]	3.62 [91,9]							
	C				3.25 [82,6]	3.25 [82,6]	3.75 [95,3]	4.25 [108,0]	5.44 [138,2]	5.44 [138,2]	a	a	a	a	a	a	
	D				3.90 [99,1]	4.00 [101,6]	4.26 [108,2]	4.60 [116,8]	5.44 [138,2]	5.54 [140,7]	a	a	a	a	a	a	
1.00 [25]	A					2.77 [70,4]	3.16 [80,3]	3.68 [93,5]	4.40 [111,8]	4.62 [117,3]							
	B					2.39 [60,7]	2.78 [70,6]	3.30 [83,8]	4.02 [102,1]	4.24 [107,7]							
	C					3.50 [88,9]	4.00 [101,6]	4.50 [114,3]	5.44 [138,2]	5.44 [138,2]	a	a	a	a	a	a	
	D					4.20 [106,7]	4.26 [108,2]	4.60 [116,8]	5.44 [138,2]	5.54 [140,7]	a	a	a	a	a	a	
1.50 [40]	A						3.16 [80,3]	3.68 [93,5]	4.40 [111,8]	4.62 [117,3]							
	B						2.78 [70,6]	3.30 [83,8]	4.02 [102,1]	4.24 [107,7]							
	C						4.50 [114,3]	5.00 [127,0]	6.30 [160,0]	6.30 [160,0]	a	a	a	a	a	a	
	D						5.06 [128,5]	5.47 [138,9]	6.30 [160,0]	6.42 [163,1]	a	a	a	a	a	a	
2.00 [50]	A							3.93 [99,8]	4.65 [118,1]	4.87 [123,7]							
	B							3.30 [83,8]	4.02 [102,1]	4.24 [107,7]							
	C							5.25 [133,4]	6.30 [160,0]	6.30 [160,0]	a	a	a	a	a	a	
	D							6.10 [154,9]	7.65 [194,3]	7.65 [194,3]	d	d	d	d	d	d	
2.50 [65]	A								4.65 [118,1]	4.87 [123,7]							
	B								4.02 [102,1]	4.24 [107,7]							
	C								11.0 [279,4]	11.00 [279,4]	d	d	d	d	d	d	
	D								9.75 [247,6]	9.75 [247,6]	d	d	d	d	d	d	
3.00 [80]	A									4.87 [123,7]							
	B									4.24 [107,7]							
	C									11.00 [279,4]	d	d	d	d	d	d	
	D									9.75 [247,6]	d	d	d	d	d	d	

		MAIN VALVE STERILE ACCESS OFFSETS									
		BIO-PURE	BIO-TEK	0.50 [15]	0.75 [20]	1.00 [25]	1.50 [40]	2.00 [50]	2.50 [65]	3.00 [80]	
PURGE	0.250 [6]	S	0.17 [4,3]	0.27 [6,9]	0.15 [3,8]	0.34 [8,6]	0.46 [11,7]	0.75 [19,1]	0.96 [24,4]	1.41 [35,8]	1.48 [37,6]
	T	0.28 [7,1]	0.28 [7,1]	0.42 [10,7]	0.55 [14,0]	0.65 [16,5]	0.85 [21,6]	1.00 [25,4]	1.60 [40,6]	1.60 [40,6]	1.60 [40,6]
0.375 [10]	S	0.11 [2,8]	0.21 [5,3]	0.09 [2,3]	0.27 [6,9]	0.40 [10,2]	0.69 [17,5]	0.90 [22,9]	1.35 [34,3]	1.42 [36,1]	
	T	0.28 [7,1]	0.28 [7,1]	0.38 [9,7]	0.47 [11,9]	0.65 [16,5]	0.85 [21,6]	1.00 [25,4]	1.60 [40,6]	1.60 [40,6]	
0.50 [15]	S	0.08 [2,0]	0.18 [4,6]	0.06 [1,5]	0.24 [6,1]	0.37 [9,4]	0.66 [16,8]	0.87 [22,1]	1.32 [33,5]	1.39 [35,3]	
	T	0.28 [7,1]	0.28 [7,1]	0.41 [10,4]	0.45 [11,4]	0.65 [16,5]	0.85 [21,6]	1.00 [25,4]	1.60 [40,6]	1.60 [40,6]	
0.75 [20]	S				0.12 [3,1]	0.24 [6,1]	0.53 [13,5]	0.77 [19,6]	1.19 [30,2]	1.26 [32,0]	
	T				0.57 [14,5]	0.60 [15,2]	0.85 [21,6]	1.00 [25,4]	1.60 [40,6]	1.60 [40,6]	
1.00 [25]	S					0.12 [3,0]	0.41 [10,4]	0.62 [15,7]	1.07 [27,2]	1.14 [29,0]	
	T					0.71 [18,0]	0.85 [21,6]	1.00 [25,4]	1.60 [40,6]	1.60 [40,6]	
1.50 [40]	S						0.16 [4,1]	0.37 [9,4]	0.82 [20,8]	0.89 [22,6]	
	T						1.00 [25,4]	1.15 [29,2]	1.60 [40,6]	1.60 [40,6]	
2.00 [50]	S								0.12 [3,1]	0.57 [14,5]	
	T								1.16 [29,5]	1.80 [45,7]	
2.50 [65]	S									0.32 [8,1]	
	T									2.10 [53,3]	
3.00 [80]	S									0.14 [3,6]	
	T									2.02 [51,3]	

		MAIN VALVE					PURGE TUBE	
VALVE/PURGE SIZE/TUBE	DRAIN ANGLE	E BW LENGTH	F TC LENGTH	G TC X BW LENGTH	H	J	K	L
BIO-PURE BIO-TEK	30°	4.72 [119,9]	2.50 [63,5]	3.61 [91,7]	0.39 [9,9]	1.50 [38,1]	1.50 [38,1]	0.50 [12,7] 1.12 [28,4] SEE CODE e
0.50 [15]	30°	5.13 [130,3]	3.50 [88,9]	4.32 [109,7]	0.69 [17,4]	1.50 [38,1]	1.50 [38,1]	0.50 [12,7]
0.75 [20]	30°	5.57 [141,5]	4.00 [101,6]	4.79 [121,7]	0.72 [18,2]	1.50 [38,1]	1.50 [38,1]	0.50 [12,7]
1.00 [25]	30°	6.00 [152,4]	4.50 [114,3]	5.25 [133,4]	0.75 [19,1]	1.50 [38,1]	1.50 [38,1]	1.12 [28,4]
1.50 [40]	28°	6.94 [176,3]	5.50 [139,7]	6.22 [158,0]	0.78 [19,8]	1.50 [38,1]	1.50 [38,1]	1.12 [28,4]
2.00 [50]	23°	8.26 [209,8]	6.25 [158,8]	7.26 [184,4]	0.75 [18,9]	1.75 [44,4]	1.75 [44,4]	1.12 [28,4]
2.50 [65]	28°	10.98 [278,9]	8.75 [222,3]	9.87 [250,7]	0.64 [16,3]	1.75 [44,4]	1.75 [44,4]	1.12 [28,4]
3.00 [80]	23°	10.98 [278,9]	8.75 [222,3]	9.87 [250,7]	0.64 [16,3]	1.75 [44,4]	1.75 [44,4]	1.12 [28,4]



CODES:
a- NON-CONFORMANCE TO "6D" RULE.
c- FOR 0.50 PURGE VALVE WITH A208 ACTUATOR, ROTATE AIR CONNECTION 90° TO PURGE FLOW DIRECTION.
d- PURGE TUBE REQUIRED.
e- FOR BIO-PURE AND BIO-TEK MAIN VALVE, L= 1.12 [28,4].

NOTES:
1. THESE STANDARDS ARE SUITABLE FOR HANDWHEEL AND ADVANTAGE TOPWORKS ONLY. US O.D. TUBE AND TRI-CLAMP ONLY.
2. NOT FOR PURGE ORIENTATION LEFT OR RIGHT.
3. FOR PURGE ORIENTATION LEFT OR RIGHT.