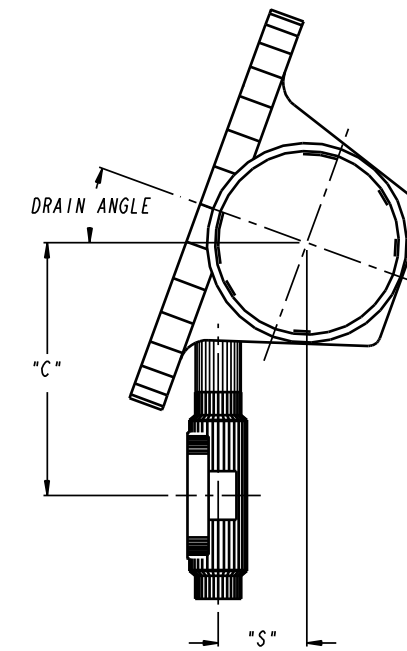
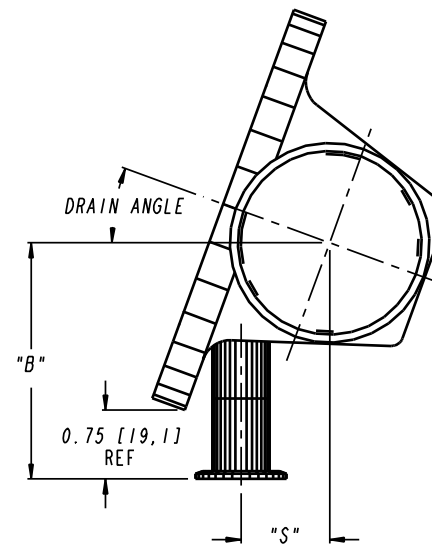
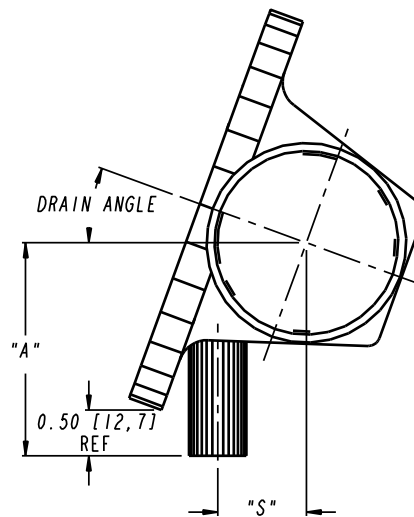
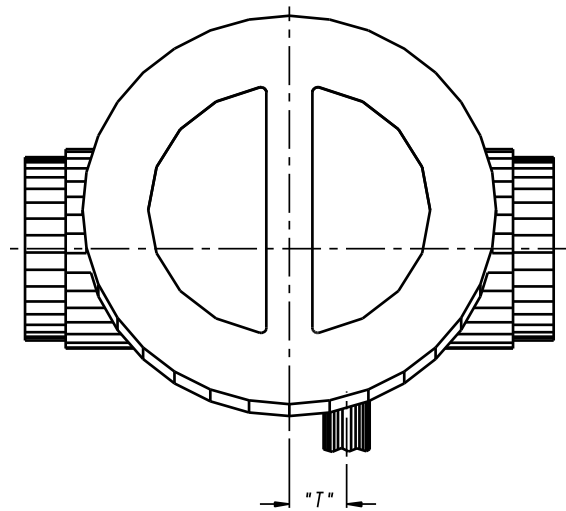


		MAIN VALVE	
		4.00 [100] FORGING	6.00 [150] CASTING
BIO-TEK	"C"	*5.77 [146,56]	*6.50 [165,10]
0.50 [15]	"A"	4.41 [112,01]	5.25 [133,35]
	"B"	4.66 [118,36]	5.50 [139,70]
	"C"	*5.77 [146,56]	*6.50 [165,10]
0.75 [20]	"A"	4.41 [112,01]	5.25 [133,35]
	"B"	4.66 [118,36]	5.50 [139,70]
	"C"	*5.77 [146,56]	*7.25 [184,15]
1.00 [25]	"A"	4.41 [112,01]	5.25 [133,35]
	"B"	4.66 [118,36]	5.50 [139,70]
	"C"	5.77 [146,56]	*7.25 [184,15]
1.50 [40]	"A"	4.41 [112,01]	5.25 [133,35]
	"B"	4.66 [118,36]	5.50 [139,70]
	"C"	6.66 [169,16]	8.00 [203,20]
2.00 [50]	"A"	4.41 [112,01]	5.25 [133,35]
	"B"	4.66 [118,36]	5.50 [139,70]
	"C"	6.66 [169,16]	8.00 [203,20]
2.50 [65]	"A"	4.41 [112,01]	5.25 [133,35]
	"B"	4.66 [118,36]	5.50 [139,70]
	"C"	11.02 [279,91]	12.00 [304,80]
3.00 [80]	"A"	4.41 [112,01]	5.25 [133,35]
	"B"	4.66 [118,36]	5.50 [139,70]
	"C"	11.02 [279,91]	12.00 [304,80]
4.00 [100]	"A"	----	5.25 [133,35]
	"B"	----	5.50 [139,70]
	"C"	----	12.00 [304,80]

		MAIN VALVE	
		4.00 [100] FORGING	6.00 [150] CASTING
BIO-TEK	"S"	2.25 [57,15]	4.061 [103,149]
0.50 [15]	"T"	1.65 [41,91]	1.118 [28,397]
	"S"	2.25 [57,15]	4.061 [103,149]
0.75 [20]	"T"	1.65 [41,91]	1.118 [28,397]
	"S"	2.07 [52,58]	3.942 [100,127]
1.00 [25]	"T"	1.70 [43,18]	1.322 [33,579]
	"S"	2.00 [50,80]	3.761 [95,529]
1.50 [40]	"T"	1.70 [43,18]	1.457 [37,008]
	"S"	1.75 [44,45]	3.359 [85,319]
2.00 [50]	"T"	1.70 [43,18]	1.700 [43,180]
	"S"	1.47 [37,33]	3.201 [81,305]
2.50 [65]	"T"	2.00 [50,80]	1.962 [49,835]
	"S"	1.24 [31,50]	2.728 [69,291]
3.0 [80]	"T"	1.82 [46,23]	2.240 [56,896]
	"S"	0.75 [19,05]	1.576 [40,030]
4.00 [100]	"T"	2.75 [69,85]	2.692 [68,377]
	"S"	----	1.450 [36,830]
	"T"	----	3.174 [80,620]

NOTE:
 1. THESE STANDARDS ARE SUITABLE FOR HANDWHEEL AND ADVANTAGE TOPWORKS ONLY, U.S. O.D. TUBE & TRI-CLAMP ONLY.
 *2. NON-CONFORMANCE TO "6D" RULE.

MAIN VALVE	DRAIN ANGLE	
	CASTING	WROUGHT
4.00 [100]	---	16°
6.00 [150]	20°	---



UNLESS OTHERWISE SPECIFIED, DIMENSIONS NOT SHOWN IN BRACKETS [] ARE IN INCHES. DIMENSIONS SHOWN IN BRACKETS [] ARE IN MILLIMETERS.

ENGRD VALVES ORDER: -	ITEM: -	THIRD ANGLE PROJECTION	DATE	BY	FABRICATION STDS	ITT Engineered Valves www.engvalves.com
FIGURE NO.: -			DWN 06/13/07	DJS	WEIR 04.00 [100] & 06.00 [150] STERILE ACCESS	
CUSTOMER: -			CHKD 06/13/07	JRD		D 004420 SHEET 1 OF 1 REV G
CUSTOMER P.O.: -		ALL DIMENSIONS SHOWN ON THIS DRAWING ARE FOR REFERENCE ONLY	APVD 06/13/07	JRD	MASTER DWG: 004420-1/1/G ECN# 10707	
					ISSUED BY: -	CERT BY: -