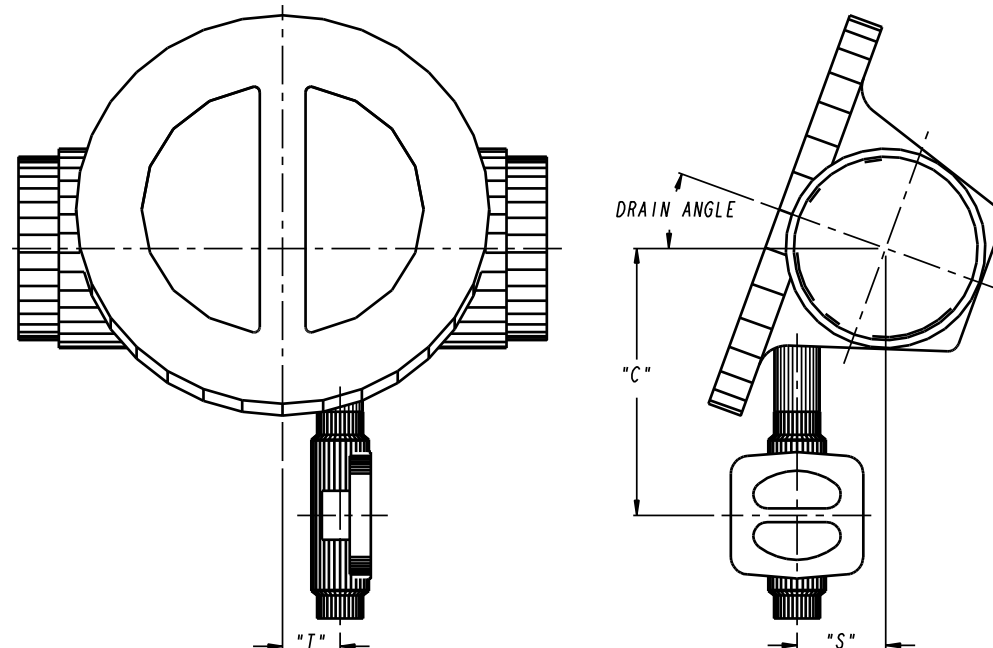


		MAIN VALVE	
		4.00 FORGING	6.00 CAST
BIO-TEK	"C"	*4.80 [121,9]	*5.92 [150,4]
	"S"	2.25 [57,2]	4.061 [103,15]
	"T"	1.65 [41,9]	1.118 [28,40]
0.50 [15]	"C"	*5.05 [128,3]	*6.12 [155,4]
	"S"	2.25 [57,2]	4.061 [103,15]
	"T"	1.65 [41,9]	1.118 [28,40]
0.75 [20]	"C"	*5.82 [147,8]	*6.89 [175,0]
	"S"	2.07 [52,6]	3.942 [100,13]
	"T"	1.70 [43,2]	1.322 [33,58]
1.00 [25]	"C"	5.82 [147,8]	*6.89 [175,0]
	"S"	2.00 [50,8]	3.761 [95,53]
	"T"	1.70 [43,2]	1.457 [37,01]
1.50 [40]	"C"	6.71 [170,4]	7.78 [197,6]
	"S"	1.75 [44,4]	3.359 [85,32]
	"T"	1.70 [43,2]	1.700 [43,18]
2.00 [50]	"C"	6.71 [170,4]	7.78 [197,6]
	"S"	1.47 [37,3]	3.201 [81,31]
	"T"	2.00 [50,8]	1.962 [49,83]
2.50 [65]	"C"	10.55 [268,0]	11.62 [295,1]
	"S"	1.24 [31,5]	2.728 [69,29]
	"T"	1.82 [46,2]	2.240 [56,90]
3.00 [80]	"C"	10.55 [268,0]	11.62 [295,1]
	"S"	0.75 [19,0]	1.576 [40,03]
	"T"	2.75 [69,9]	2.692 [68,38]
4.00 [100]	"C"	-----	11.62 [295,1]
	"S"	-----	1.450 [36,83]
	"T"	-----	3.174 [80,62]

MAIN VALVE	DRAIN ANGLE	
	CASTING	FORGING
4.00 [100]	---	16°
6.00 [150]	20°	---

NOTE:
 1. THESE STANDARDS ARE SUITABLE FOR HANDWHEEL AND ADVANTAGE TOPWORKS ONLY, U.S. O.D. TUBE & TRI-CLAMP ONLY.
 *2. NON-CONFORMANCE TO "6D" RULE.



UNLESS OTHERWISE SPECIFIED, DIMENSIONS NOT SHOWN IN BRACKETS [] ARE IN INCHES. DIMENSIONS SHOWN IN BRACKETS [] ARE IN MILLIMETERS.

ENGRD VALVES ORDER: -	ITEM: -	THIRD ANGLE PROJECTION	DATE	BY	FABRICATION STDS	ITT Engineered Valves www.engvalves.com
FIGURE NO.: -			DWN 08/30/07	DJS	WEIR 04.00 & 06.00	
CUSTOMER: -			CHKD 08/30/07	JRD	STERILE ACCESS	D 004753 SHEET 1 OF 1 REV F
CUSTOMER P.O.: -		ALL DIMENSIONS SHOWN ON THIS DRAWING ARE FOR REFERENCE ONLY	APVD 08/30/07	JRD	MASTER DWG: 004753-1/1/F ECN# 10707	
					ISSUED BY: -	CERT BY: -