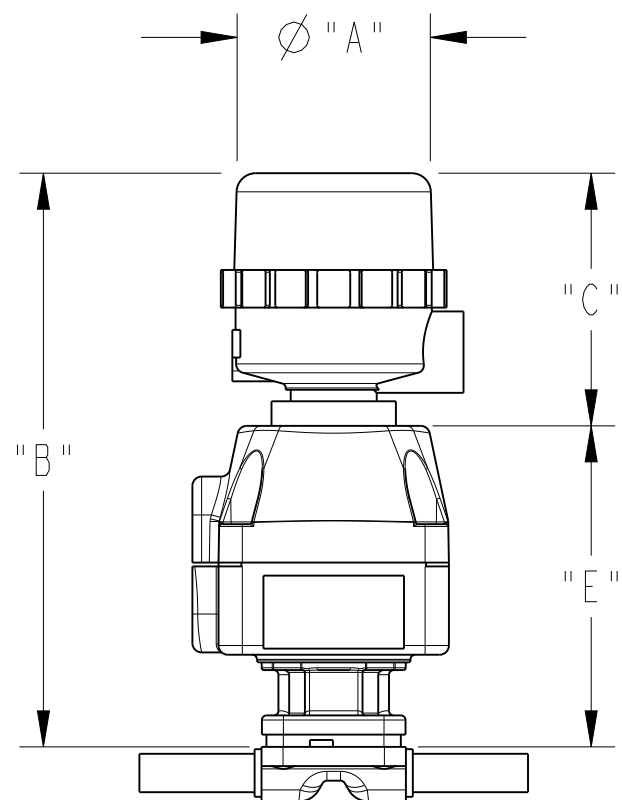


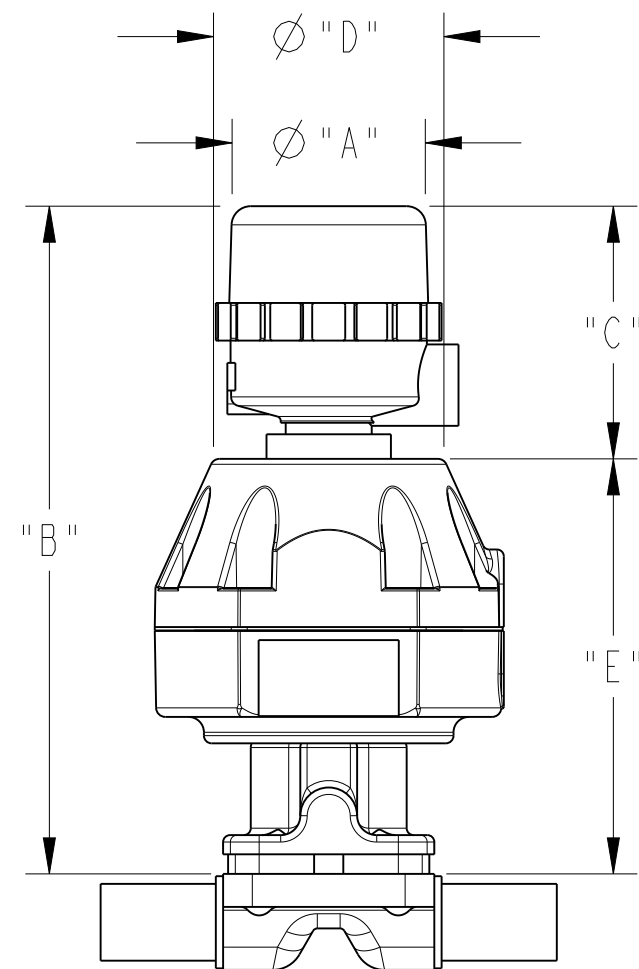
FIGURE NUMBERS

A -

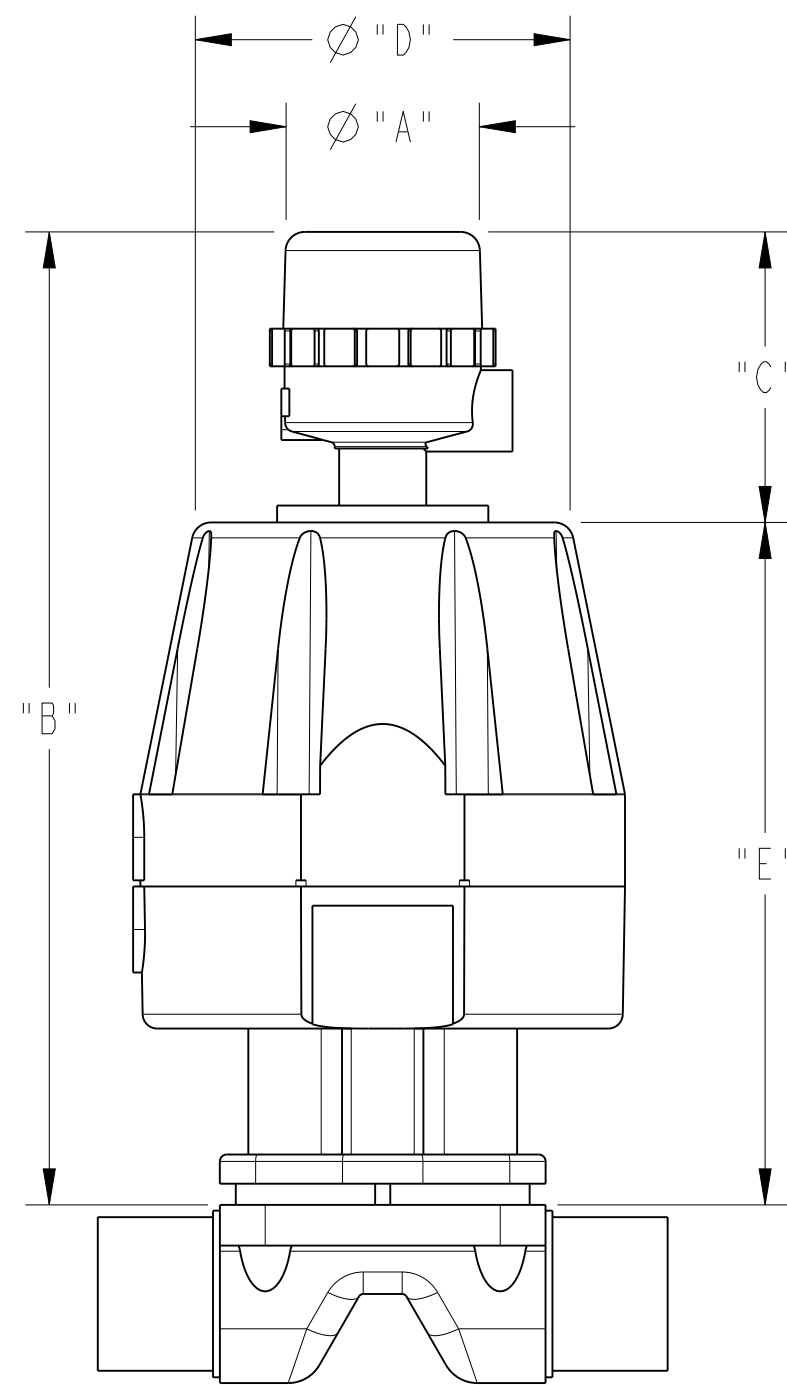
VALVE SIZE	Ø "A"	"B"	"C"	Ø "D"	"E"
BT 00.25 - 00.50 [DN6] - [DN15]	2.53 [64,3]	6.94 [176,3]	3.29 [83,6]	N/A	3.65 [92,7]
PF 00.50 [DN15]	2.53 [64,3]	7.47 [190,2]	3.29 [83,6]	N/A	4.18 [106,2]
00.75 [DN20]	2.53 [64,3]	8.44 [214,4]	3.29 [83,6]	3.00 [76,2]	5.15 [130,8]
01.00 [DN25]	2.53 [64,3]	8.69 [218,7]	3.29 [83,6]	3.00 [76,2]	5.40 [137,1]
01.50 [DN40]	2.53 [64,3]	12.43 [315,7]	3.78 [96,2]	4.88 [124,0]	8.65 [219,7]
02.00 [DN50]	2.53 [64,3]	12.67 [316,0]	3.78 [96,2]	4.88 [124,0]	8.89 [225,7]
03.00 [DN80]	2.53 [64,3]	16.85 [428,0]	5.13 [130,3]	8.00 [203,2]	11.72 [297,7]
04.00 [DN100]	2.53 [64,3]	18.21 [460,5]	5.13 [130,3]	8.10 [205,7]	13.08 [332,2]



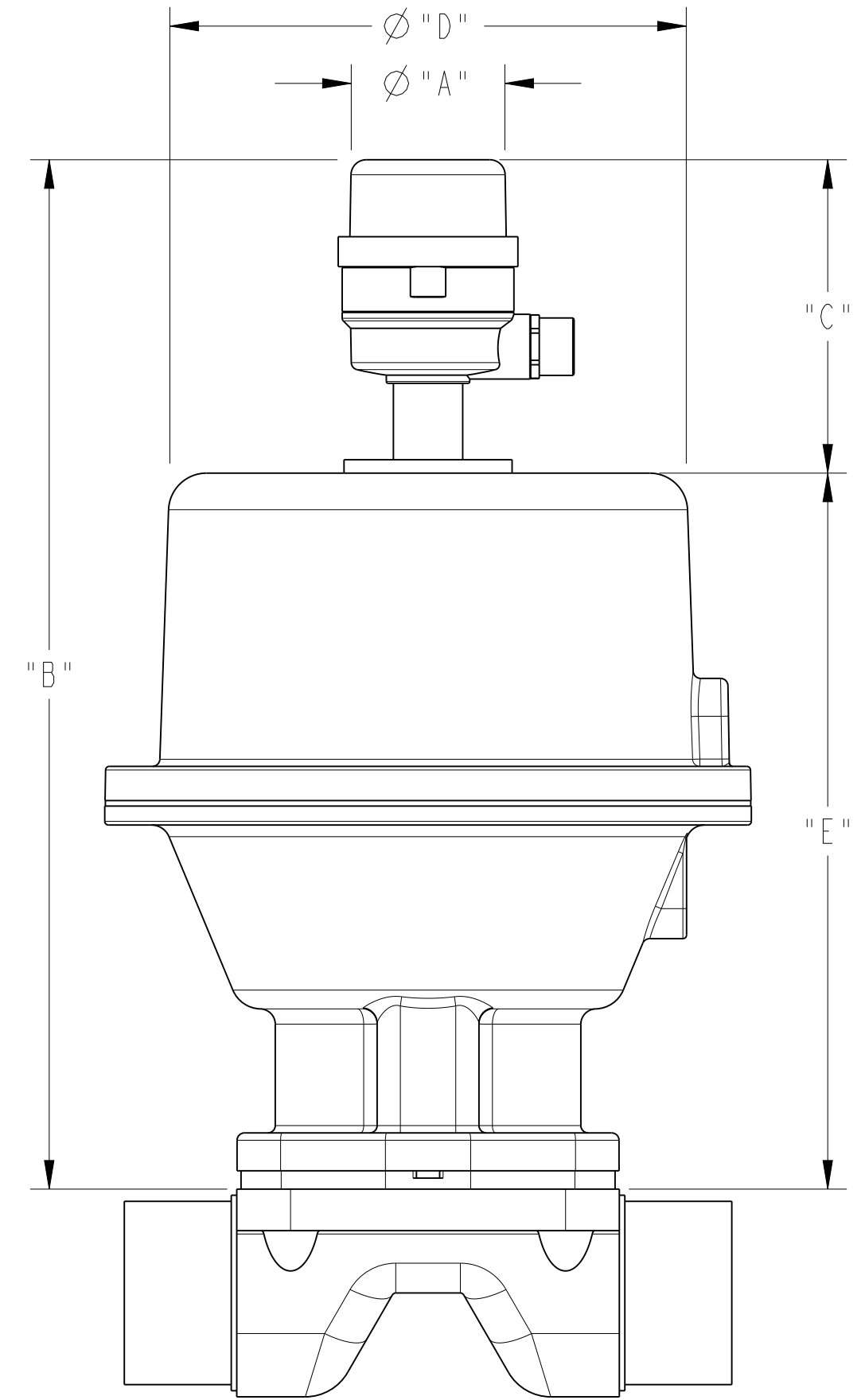
SIZES 00.25 - 00.50  
31 ADV



SIZES 00.75 - 01.00  
31 ADV



SIZES 01.50 - 02.00  
31 ADV



33 SERIES  
SIZE 02.50 - 03.00 31 ADV  
SIZE 04.00 34 ADV

THIS DOCUMENT IS THE SOLE PROPERTY OF ITT CORPORATION, OR ITS SUBSIDIARY, AND IS PROVIDED SUBJECT TO RETURN. IT IS ISSUED IN STRICT CONFIDENCE AND SHALL NOT BE REPRODUCED, OR COPIED, OR DISCLOSED IN WHOLE OR IN PART, OR USED AS THE BASIS FOR THE MANUFACTURE OR SALES OF APPARATUS OR PARTS TO WHICH THE DOCUMENT RELATES, WITHOUT THE EXPRESS WRITTEN CONSENT OF ITT CORPORATION, OR ITS SUBSIDIARY. THIS LEGEND SHALL BE MARKED ON ANY REPRODUCTION HEREOF, IN WHOLE OR IN PART. ALL RIGHTS TO THE INFORMATION AND DESIGN DISCLOSED HEREIN ARE RESERVED TO ITT CORPORATION, OR ITS SUBSIDIARY.

PURE-FLO ORDER: -	ITEM: -	THIRD ANGLE PROJECTION	UNLESS OTHERWISE NOTED	DATE	BY	TOPWORKS OUTLINE		Pure-Flo www.ittpureflo.com
CUSTOMER: -			INCH      MM .X = ± 0.06      X = ± 1.5 .XX = ± 0.06      .XX = ± 1.5 .XXX = ± 0.02      .XXX = ± 1.5 X/X = ± 1/16 X° = ± 5° X° = ± 5°	DWN 07/23/21	JAS	W/ VSP SWITCH & ADV ACTR		
CUSTOMER PO: -		UNLESS OTHERWISE SPECIFIED, ALL DIMENSIONS ARE IN INCHES		CHKD 07/23/21	KP	00.25 - 04.00		
OTHER INFO: -				APVD 07/23/21	TJS	MASTER DWG: 009598/A	ISSUED BY: -	CERT BY: -