

# Dia-Flo<sup>®</sup> Diaphragm Valves

## with ANSI B16.10 Face-to-Face Dimension

### New Product Option

with improved performance for Active Pharmaceutical Ingredient and Chemical Process customers.

Announcing from ITT Engineered Valves Group a diaphragm valve that is a direct replacement for ball and plug valves. The Dia-Flo ANSI valve features an ANSI B16.10 face-to-face dimension that allows for direct replacement of ball and plug valves without making piping modifications.

This simple change now allows you to take advantage of all the benefits that a diaphragm valve has to offer. For applications that require the highest in purity standards or for applications which cause maintenance headaches due to abrasive slurries, you will find the Dia-Flo ANSI valve is a welcome solution.

#### Clean or High Purity Application Benefits

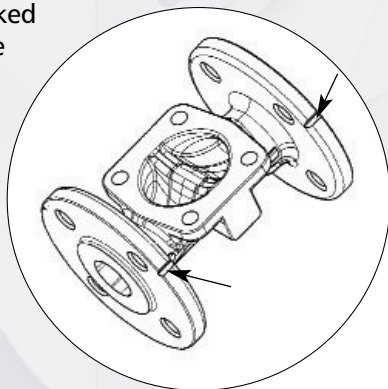
- Can be cleaned in place without disassembly or removal from pipe line
- No cavities or pockets to trap process or cleaning fluids
- Available in FDA compliant materials
- Available in stainless steel exterior to eliminate contamination potential from chipping paint
- Can be steam sterilized

#### Corrosive and Abrasive Application Benefits

- Smooth flow path for media resulting in less damage to the valve body and diaphragm
- No ball or plug to become damaged by abrasive media
- Diaphragm provides a large sealing surface
- No cavities or pockets for process fluid to become trapped

#### Added Feature:

Drain angles are marked with a v-notch on the outside diameter of the flange to assist with proper installation. Install with v-notch at twelve o'clock position for proper drainage.



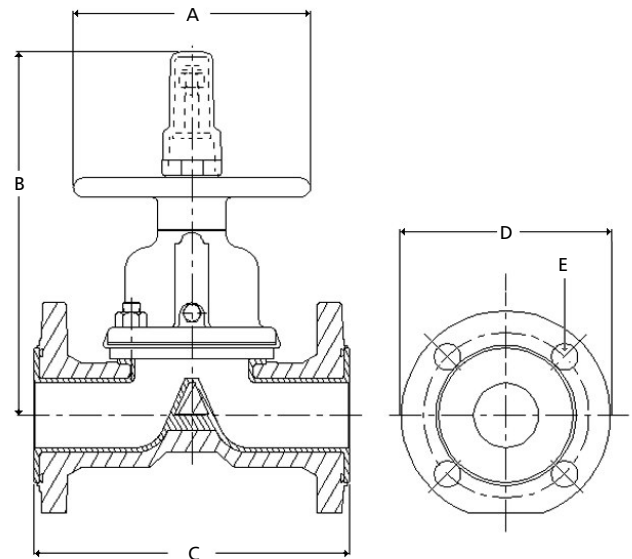
#### Added Feature:

For actuated applications specify the new Advantage<sup>®</sup> Actuator with low profile bonnet. Available in fail closed, double acting and fail open. Provides for small installation envelope and adaption to smart communication protocols.

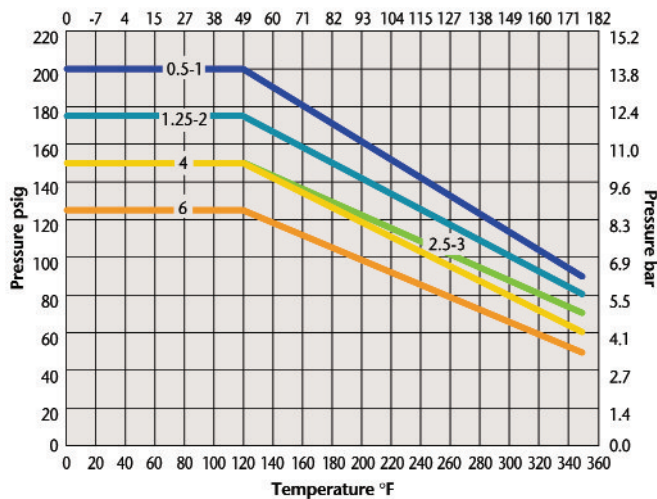


Size	A	B	C	D	E (Lined)	E (Unlined)
1.0	3.00	6.16	5.00	4.25	.50-13 UNC threaded	.50-13 UNC threaded
1.5	6.00	9.15	6.50	5.00	.50-13 UNC threaded	.63 Thru
2.0	6.00	9.36	7.00	6.00	.625-11 UNC threaded	.625-11 UNC threaded

Valves in inches



### Pressure/Temperature Curve:



### Flow Capacity (Cv):

% open	PFA Lined			Unlined		
	1.0"	1.5"	2.0"	1.0"	1.5"	2.0"
10	1.0	3.1	9	3	11	12
20	1.4	11	25	7	21	26
30	2.7	20	47	11	29	39
40	4.7	28	47	14	36	49
50	7.3	27	52	18	42	56
60	10	29	56	20	46	62
70	11	30	60	21	50	66
80	11	32	60	22	52	69
90	11	33	60	22	54	70
100	12	34	61	22	56	70

Valves in GPM

### Product Specification:

- 1", 1.5", 2" B16.10 ANSI 150# drilled and tapped flanges (1.5" unlined are thru bolts)
- ANSI face-to-face dimensions
- Drain mark to assist with proper installation
- Materials:
  - ◆ Stainless Steel body lined with PFA (Model 2540A)
  - ◆ Ductile Iron body lined with PFA (Model 2556A)
  - ◆ Stainless Steel unlined body (Model 2433A)
- Bonnet:
  - ◆ Handwheel operated with position indication and travel stop

- Ductile Iron, Stainless Steel
  - ◆ Pneumatic Actuation, fail closed, fail open, double acting
- Diaphragm:
  - ◆ Modified PTFE(TM) and elastomers
- Accessories:
  - ◆ Switches, solenoids, positioners.

Note: Please refer to Dia-Flo catalog (DV-04) for complete listing of options and ordering information.

For more Information write to:  
Engineered Valves Group  
33 Centerville Rd, P.O. Box 6164  
Lancaster, PA 17603-2064  
or call: (800) 366-1111  
(717) 509-2200  
Fax: (717) 509-2336  
website: www.engvalves.com  
E-mail: engvalves.custserv@itt.com

Dia-Flo

