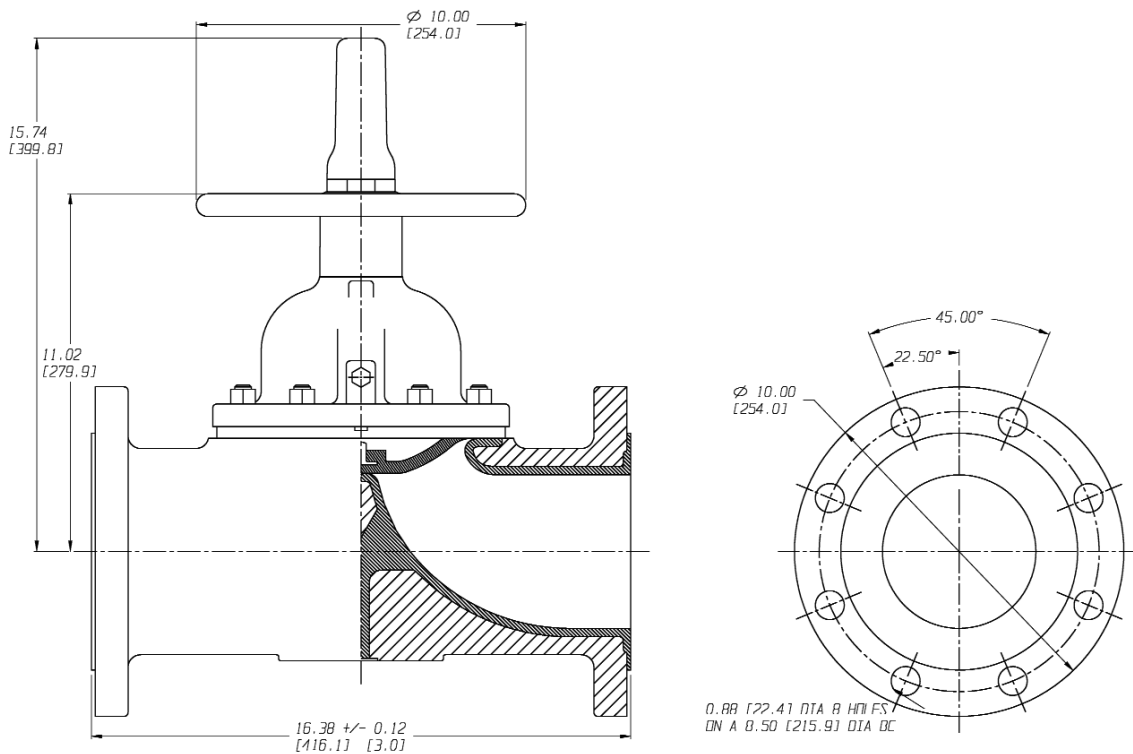


5" Cast Iron Polypropylene Lined Valve



Technical Data

5" Manual Valve Assembly Weight - 104 lbs.
 Maximum Pressure - 150 psi / 10.3 barg
 Maximum Temperature - 120° F / 49° C
 Valve Stroke - 2.12" / 53.8 mm
 Handwheel Turns - 10 5/8
 Threads per inch - manual valve stem - 5

% open	Cv Ratings (gpm)
10	20
20	55
30	80
40	125
50	190
60	240
70	270
80	285
90	290
100	285

Notes:
 5" valves utilize 4" valve bonnet assemblies.
 All replacement parts for a 5" valve, including diaphragms, are the same as that for a 4" valve.



5" Automated Valve
 (Figure Number
 5-2538-M-34-P1-AO-END5)