

How to Order: **Cam-Line® Valves**

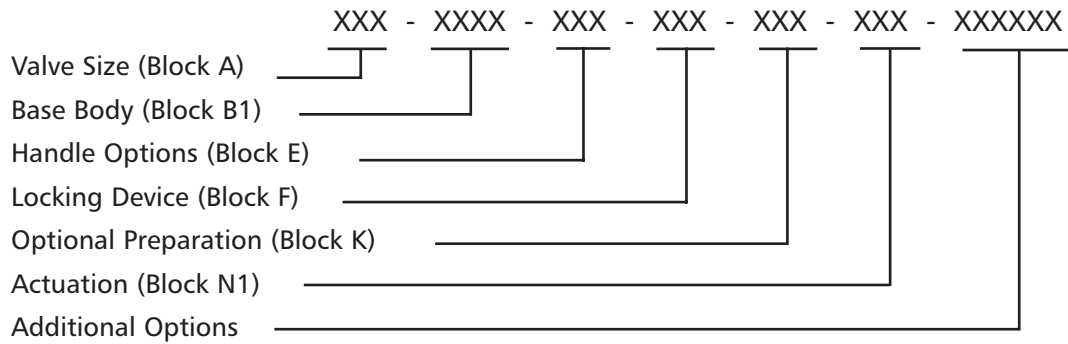


Figure Numbers:

Flanged Ends - Lined Cam-Line Ball Valves (Block B1)

Code	Lining Material
DUCTILE IRON - 150#	
1059	Tefzel
1159	Tefzel Lined (PVDF Coated)

Extended Stem (Block D2)

Code	Extension Length
CAST STEEL	
EXTSP	Stem Extension w/out Bracket
EXTSPBR	Stem Extension with Bracket

Exterior Trim (Block D3)

Code	Material
ET1	Stainless Steel
ET2	Carbon Steel

Handle Options (Block E)

Code	Description
OVAL HANDWHEEL	
HD2	Carbon Steel
HD3	Stainless Steel
HD4	None Provided

CHAINWHEEL

HD5	Carbon Steel Horizontal Line
HD6	Carbon Steel Vertical Line
HD7	Stainless Steel Horizontal Line
HD8	Stainless Steel Vertical Line

Locking Device (Block F)

Code	Material
LDS	Stainless Steel

Grounding Strap (Block F1)

Code	Description
G	Grounding Strap

Optional Coatings (Block G)

Code	Coating
C1	White Epoxy
C2	Sherwin Williams Polane Blue
CSpec	Special Coating

Optional Preparation (Block K)

Code	Preparation
OX	Oxygen Preparation
CL	Halogen Service w/o Venting
CLV	Dry Chlorine Gas w/ Vented Seats
V	Vented Seats

Compact Actuator (Block N1)

Code	Actuator Model
H15	H15
H20	H20
H25	H25
H30	H30
H35	H35
H45	H45
H60	H60
H75	H75

Compact Actuator Mode (Block N2)

Code	Actuator Model
DA	Double Acting
SR	Spring Return
GR	Gear/Manual or Electric

Compact Actuator Springs (Block N3)

Code	Actuator Springs
2A	2A
2A2B	2A2B
2C	2C
3	3

Compact Actuator Failure Position (Block N4)

Code	Failure Position
FO	Fail Open
FC	Fail Closed

Solenoid Valve (Block N5)

Code	Description
SV1	Asco 8320G184
SV2	Asco EF8320G184
SV3	Asco 8345G1
SV4	Asco EF8345G1
SV5	Asco EF8320G194
SV6	Asco EFHT8320G184

Actuator Limit Switches (Block N7)

Code	Description
LS1	Westlock 1065
LS2	Westlock 1040
LS3	Westlock 2004BY
LS4	Westlock 2007XBY
LS5	Posiflex F30A-A-A
LS7	Posiflex F30A-C-A
LS9	Westlock 3030BY
LS10	Westlock 9479BY
LS11	GO 41-2U000-000
LS12	Westlock 360-BY-M6
LS13	Westlock E360-BY-M6

Filter Regulator (Block N1R)

Code	Description
RF1	Fischer 67CFR
RF2	Conoflow GFH60XTKEX3G

Speed Control (Block N1C)

Code	Description
SC	Schrader 337-1001