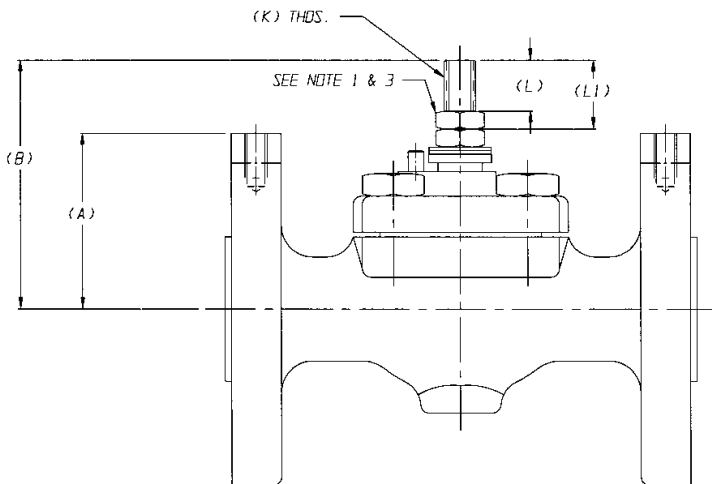
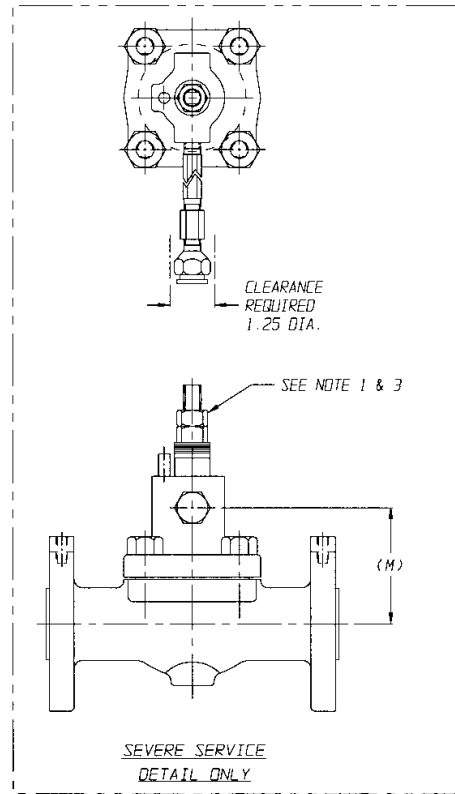
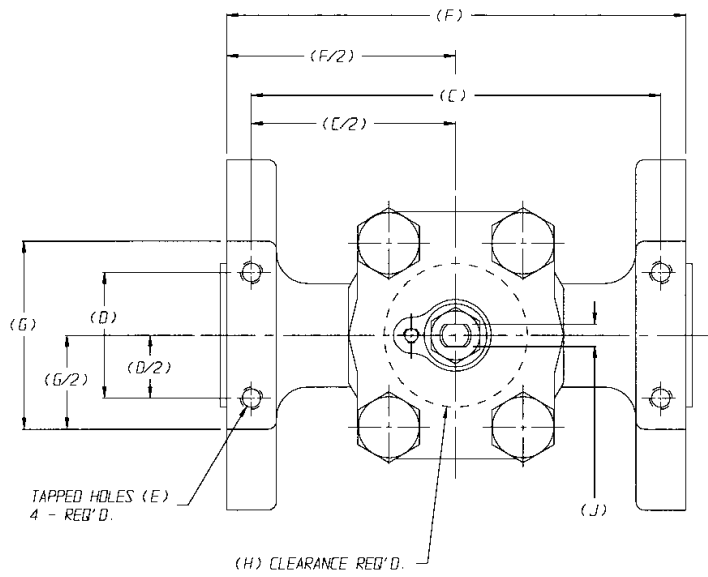


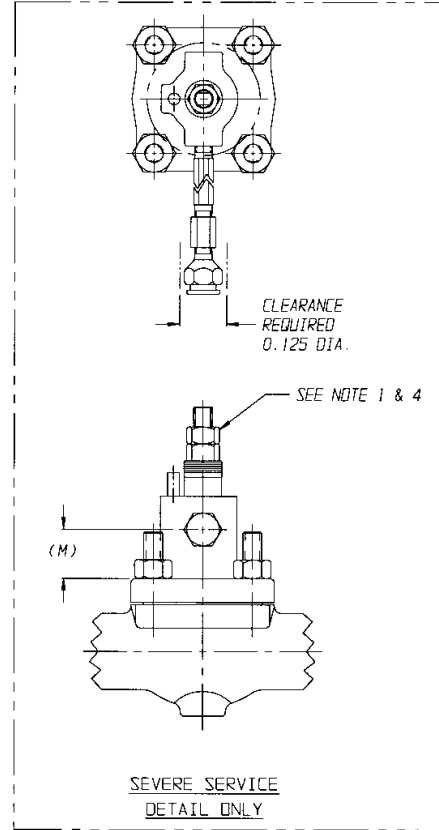
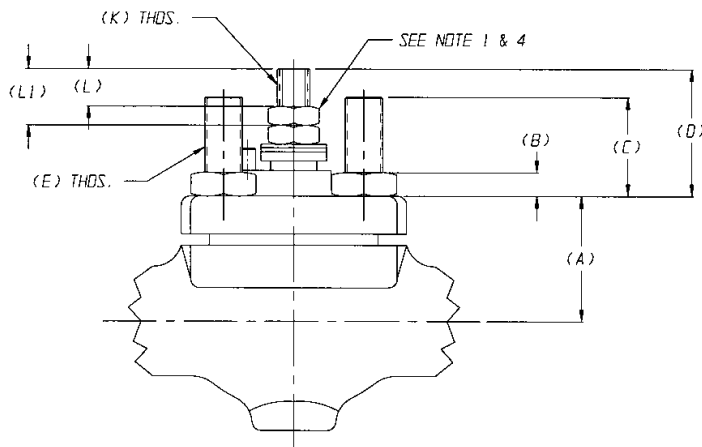
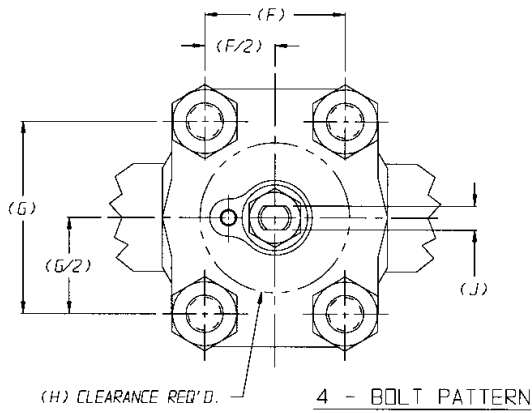
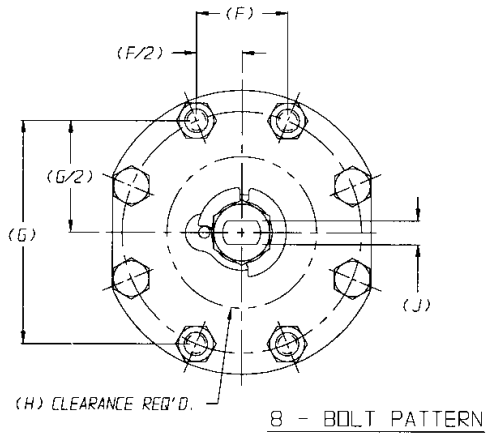
# Actuator Mounting Dimensions — Flange Pads



- NOTE:
1. DOUBLE NUTS ON ACTUATED VALVES  
0.50" - 2.00" SIZES ONLY.
  2. SINGLE NUT IS USED WITH STEM EXTENSION  
KITS FOR ALL SIZES.

VALVE SIZE	PRESS. CLASS	COVER TYPE	(A)	(B)	(C)	(D)	(E)	(F)	(G)	(H)	(J)	(K)	(L)	(L1)	(M)						
1/2"	150#	STANDARD		3.47		2.00	0.25-20UNC x 0.38 DP.	4.12		2.00	0.309 0.305	0.438-14UNC	0.58	0.83	-						
		EXTENDED	1.94	4.97	3.62					2.31			0.65	0.90	2.78						
		SEVERE SERV.		5.34																	
	300#	STANDARD		3.47				2.06	0.25-20UNC x 0.38 DP.	5.38				2.00	0.309 0.305	0.438-14UNC	0.58	0.83	-		
		EXTENDED		4.97	4.88									2.31			0.65	0.90	2.78		
		SEVERE SERV.		5.34																	
	600#	STANDARD		3.47				2.06	0.25-20UNC x 0.38 DP.	6.00				2.00			0.309 0.305	0.438-14UNC	0.58	0.83	-
		EXTENDED		4.97	5.38									2.31					0.65	0.90	2.78
		SEVERE SERV.		5.34																	
3/4"	150#	STANDARD		3.47		2.00	0.25-20UNC x 0.38 DP.	4.50		2.00	0.309 0.305	0.438-14UNC	0.58	0.83					-		
		EXTENDED	2.12	4.97	4.00					2.31			0.65	0.90					2.78		
		SEVERE SERV.		5.34																	
	300#	STANDARD		3.47				2.50	0.25-20UNC x 0.38 DP.	5.88			2.62	2.00	0.309 0.305	0.438-14UNC			0.58	0.83	-
		EXTENDED		4.97	5.31									2.31					0.65	0.90	2.78
		SEVERE SERV.		5.34																	
	600#	STANDARD		3.47				2.50	0.25-20UNC x 0.38 DP.	7.00			2.62	2.00			0.309 0.305	0.438-14UNC	0.58	0.83	-
		EXTENDED		4.97	6.31									2.31					0.65	0.90	2.78
		SEVERE SERV.		5.34																	
1"	150#	STANDARD		3.47		1.75	0.312-18UNC x .47/.56 DEEP	4.88		2.00	0.309 0.305	0.50-13UNC	0.60	0.91					-		
		EXTENDED		4.97	4.19					2.31			0.78	1.09					3.32		
		SEVERE SERV.		5.34																	
	300#	STANDARD		3.47				2.56	0.312-18UNC x .47/.56 DEEP	6.38				2.00	0.309 0.305	0.50-13UNC			0.60	0.91	-
		EXTENDED		4.97	5.69									2.31					0.78	1.09	3.32
		SEVERE SERV.		5.34																	
	600#	STANDARD		3.47				2.56	0.312-18UNC x .47/.56 DEEP	8.00				2.00			0.309 0.305	0.50-13UNC	0.60	0.91	-
		EXTENDED		4.97	7.25									2.31					0.78	1.09	3.32
		SEVERE SERV.		5.34																	
1 1/2"	150#	STANDARD		4.10		1.75	0.312-18UNC x .47/.56 DEEP	6.38		2.00	0.309 0.305	0.50-13UNC	0.60	0.91					-		
		EXTENDED	3.00	5.85	5.62					3.19			0.78	1.09					3.32		
		SEVERE SERV.		6.35																	
	300#	STANDARD		4.10				3.31	0.312-18UNC x .47/.56 DEEP	7.38				2.00	0.309 0.305	0.50-13UNC			0.60	0.91	-
		EXTENDED		5.85	6.56									3.19					0.78	1.09	3.32
		SEVERE SERV.		6.35																	
	600#	STANDARD		4.10				3.31	0.312-18UNC x .47/.56 DEEP	9.00				2.00			0.309 0.305	0.50-13UNC	0.60	0.91	-
		EXTENDED		5.85	8.00									3.19					0.78	1.09	3.32
		SEVERE SERV.		6.35																	
2"	150#	STANDARD		4.87		2.25	0.375-16UNC x 0.75 DP.	6.88		2.50	0.372 0.368	0.625-11UNC	0.97	1.34					-		
		EXTENDED	3.12	6.87	6.19					3.38			0.93	1.30					3.81		
		SEVERE SERV.		7.19																	
	300#	STANDARD		4.87				3.75	0.375-16UNC x 0.75 DP.	8.38				2.50	0.372 0.368	0.625-11UNC			0.97	1.34	-
		EXTENDED		6.87	7.50									3.38					0.93	1.30	3.81
		SEVERE SERV.		7.19																	
	600#	STANDARD		4.87				3.75	0.375-16UNC x 0.75 DP.	11.00				2.50			0.372 0.368	0.625-11UNC	0.97	1.34	-
		EXTENDED		6.87	9.88									3.38					0.93	1.30	3.81
		SEVERE SERV.		7.19																	
3"	150#	STANDARD		5.89		3.50	0.375-16UNC x 0.75 DP.	7.88		3.00	0.622 0.618	1.00-8UNC	0.90	-							
		EXTENDED	4.00	8.14	7.12					4.50			1.09	5.03							
		SEVERE SERV.		9.22																	
	300#	STANDARD		5.89				9.88	0.375-16UNC x 0.75 DP.	11.00			4.62	3.00	0.622 0.618	1.00-8UNC			0.90	-	
		EXTENDED		8.14	9.88									4.50					1.09	5.03	
		SEVERE SERV.		9.22																	
	600#	STANDARD		5.89				4.50	0.375-16UNC x 0.75 DP.	13.50				3.00			0.622 0.618	1.00-8UNC	0.90	-	
		EXTENDED		8.14	12.12									4.50					1.09	5.03	
		SEVERE SERV.		9.22																	
4"	150#	STANDARD		7.11		4.00	0.438-14UNC x 0.88 DP.	8.88		3.50	0.747 0.743	1.25-7UNC	1.10	-							
		EXTENDED	4.88	9.48	8.00					5.31			1.08	5.97							
		SEVERE SERV.		10.41																	
	300#	STANDARD		7.05				10.69	0.438-14UNC x 0.88 DP.	11.88			6.00	3.50	0.747 0.743	1.25-7UNC			1.10	-	
		EXTENDED		9.43	10.69									5.31					1.08	5.97	
		SEVERE SERV.		10.41																	
	600#	STANDARD		7.05				14.88	0.438-14UNC x 1.00 DP.	16.50				3.50			0.747 0.743	1.25-7UNC	1.10	-	
		EXTENDED		9.43	14.88									5.31					1.08	5.97	
		SEVERE SERV.		10.41																	
6"	150#	STANDARD		10.20		4.00	0.438-14UNC x 0.75 DP.	15.32			1.247 1.243	2.00-12UN	1.69	-							
		EXTENDED	6.50	13.45	14.38					4.00			1.30	6.68							
		SEVERE SERV.		10.20																	
	300#	STANDARD		10.20				7.12	0.438-14UNC x 0.75 DP.	15.70			5.25	6.00	1.247 1.243	2.00-12UN			1.69	-	
		EXTENDED		13.45	14.38									4.00					1.30	6.68	
		SEVERE SERV.		10.20																	
-	-	-	-	-	-	-	-	-	-	-	-	-	-	-							

# Actuator Mounting Dimensions — Bonnet Studs and Double Nuts



- NOTE:
1. DOUBLE NUTS ON ACTUATED VALVES 0.50" - 2.00" SIZES ONLY.
  - \* 2. INDICATES DIMENSIONS FOR FINISHED HEX. NUTS.
  3. SINGLE NUT IS USED WITH STEM EXTENSION KITS FOR ALL SIZES.

VALVE SIZE	PRESS. CLASS	COVER TYPE	(A)	(B)--	(C)	(D)	(E)	(F)	(G)	(H)	(J)	(K)	(L)	(L1)	(M)								
1/2"	150# (4 BOLT)	STANDARD	1.56	0.448 0.427	1.31	1.91	0.50-13UNC	1.875	2.562	2.00	0.309 0.305	0.438-14UNC	0.58	0.83	-								
		EXTENDED				3.41				2.31			0.65	0.90	1.22								
		SEVERE SERV.				3.78				2.00			0.58	0.83	-								
	300# (4 BOLT)	STANDARD				1.91				2.00			0.65	0.90	1.22								
		EXTENDED				3.41				2.31			0.58	0.83	-								
		SEVERE SERV.				3.78				2.00			0.65	0.90	1.22								
	600# (4 BOLT)	STANDARD				1.91				2.00			0.58	0.83	-								
		EXTENDED				3.41				2.31			0.65	0.90	1.22								
		SEVERE SERV.				3.78				2.00			0.58	0.83	-								
3/4"	150# (4 BOLT)	STANDARD	1.56	0.448 0.427	1.31	1.91	0.50-13UNC	1.875	2.562	2.00	0.309 0.305	0.438-14UNC	0.58	0.83	-								
		EXTENDED				3.41				2.31			0.65	0.90	1.22								
		SEVERE SERV.				3.78				2.00			0.58	0.83	-								
	300# (4 BOLT)	STANDARD				1.91				2.00			0.65	0.90	1.22								
		EXTENDED				3.41				2.31			0.58	0.83	-								
		SEVERE SERV.				3.78				2.00			0.65	0.90	1.22								
	600# (4 BOLT)	STANDARD				1.91				2.00			0.58	0.83	-								
		EXTENDED				3.41				2.31			0.65	0.90	1.22								
		SEVERE SERV.				3.78				2.00			0.58	0.83	-								
1"	150# (4 BOLT)	STANDARD	1.94	0.559 0.535	1.44	2.16	0.50-13UNC	2.625	2.875	2.00	0.622 0.618	0.50-13UNC	0.60	0.91	-								
		EXTENDED				3.91				3.19			0.78	1.09	1.38								
		SEVERE SERV.				4.41				2.00			0.60	0.91	-								
	300# (4 BOLT)	STANDARD				2.16				2.00			0.78	1.09	1.38								
		EXTENDED				3.91				3.19			0.60	0.91	-								
		SEVERE SERV.				4.41				2.00			0.78	1.09	1.38								
	600# (4 BOLT)	STANDARD				2.16				2.00			0.60	0.91	-								
		EXTENDED				3.91				3.19			0.78	1.09	1.38								
		SEVERE SERV.				4.41				2.00			0.60	0.91	-								
2"	150# (4 BOLT)	STANDARD	2.31	0.559 0.535	1.62	2.56	0.625-11UNC	2.875	3.625	2.50	0.622 0.618	0.625-11UNC	0.97	1.34	-								
		EXTENDED				4.56				3.38			0.93	1.30	1.50								
		SEVERE SERV.				4.88				2.50			0.97	1.34	-								
	300# (4 BOLT)	STANDARD				2.56				2.50			0.93	1.30	1.50								
		EXTENDED				4.56				3.38			0.97	1.34	-								
		SEVERE SERV.				4.88				2.50			0.93	1.30	1.50								
	600# (4 BOLT)	STANDARD				2.56				2.50			0.97	1.34	-								
		EXTENDED				4.56				3.38			0.93	1.30	1.50								
		SEVERE SERV.				4.88				2.50			0.93	1.30	1.50								
3"	150# FLGD (4 BOLT)	STANDARD	2.84	0.559 0.535	2.16	3.05	0.625-11UNC	4.125	4.75	3.00	0.622 0.618	1.00-8UNC	0.90	-	-								
		EXTENDED				5.30				4.50			1.09	2.19	-								
		SEVERE SERV.				6.39				3.00			0.90	-	-								
	150/300# (8 BOLT)	STANDARD				2.61				3.00			1.09	1.75	-								
		EXTENDED				4.86				4.50			0.90	-	-								
		SEVERE SERV.				5.94				3.00			1.09	1.75	-								
	600# (8 BOLT)	STANDARD				2.61				3.00			0.90	-	-								
		EXTENDED				4.86				4.50			1.09	1.75	-								
		SEVERE SERV.				5.94				3.00			0.90	-	-								
4"	150# FLGD (4 BOLT)	STANDARD	3.35	0.665 0.617	2.34	3.77	0.75-10UNC	4.75	5.50	3.50	0.747 0.743	1.25-7UNC	1.10	-	-								
		EXTENDED				6.15				5.31			1.08	2.00	-								
		SEVERE SERV.				7.08				3.50			1.10	-	-								
	150/300# (8 BOLT)	STANDARD				3.14				3.50			1.08	2.00	-								
		EXTENDED				5.52				5.31			1.10	-	-								
		SEVERE SERV.				6.44				3.50			1.08	2.00	-								
	600# (8 BOLT)	STANDARD				3.14				3.50			1.10	-	-								
		EXTENDED				5.52				5.31			1.08	2.00	-								
		SEVERE SERV.				6.44				3.50			1.10	-	-								
6"	150# (8 BOLT)	STANDARD	4.75	1.012 0.956	3.00	5.45	1.00-8UNC	3.895	9.404	6.00	1.247 1.243	2.00-12UN	1.69	-	-								
		EXTENDED				8.66				6.00			1.30	2.39	-								
		SEVERE SERV.				5.45				6.00			1.69	-	-								
	300# (8 BOLT)	STANDARD				5.45				6.00			1.30	2.39	-								
		EXTENDED				8.66				6.00			1.69	-	-								
		SEVERE SERV.				-				-			-	-	-								
	-	-				-				-			-	-	-	-	-	-	-	-	-	-	-