

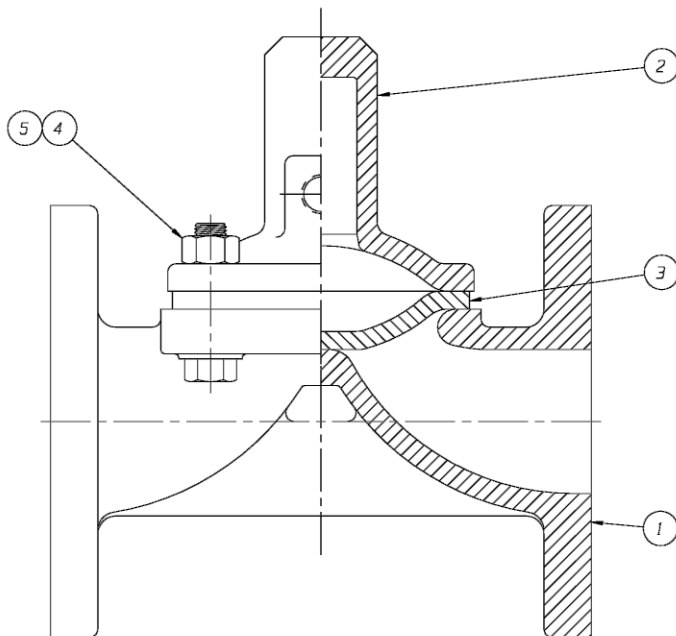
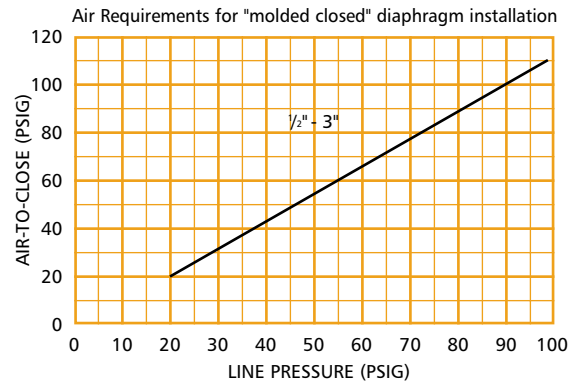
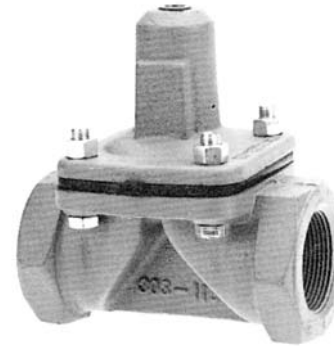
Weir Type Valves with Direct Loaded Bonnet Assemblies

Direct loaded bonnet

An inexpensive approach to automatic on-off operation for weir-type valves. Ideal for multi-valve panel operation of batching systems, water and waste treatment systems. Furnished with or without pilot solenoid utilizing pneumatic or hydraulic operation.

Special bonnets and diaphragms are available for operation by direct injection of air into bonnet on valves up to 3". Valve opening is dependent on line pressure. Such units are used where less exacting valve performance is acceptable.

A minimum line pressure of 20 PSIG is required to utilize the direct loaded valve.



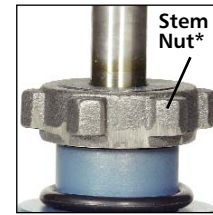
List of Parts			
Item	Description	Material	Qty.
1	Body, Flanged	As Specified	1
2	Bonnet, Adapter	Cast Iron	1
3	Diaphragm	Elastomer, Gr. DP	1
4	Bolt, Bonnet	Steel	4
5	Nut, Hex.	Steel	4

Other Available Actuator Options

Sliding Stem Bonnet Assembly

Dia-Flo sliding stem bonnet assemblies are designed to accommodate almost every make of power operated topworks. Pneumatic, electro-hydraulic, electric and electronic actuators can all be easily adapted to both weir and straightway Dia-Flo® Diaphragm Valves. Designs incorporate simple mounting and accurate alignment between the actuator and valve stem.

* Stem nut is provided only when actuator is furnished by ITT. If actuator is furnished by others please be certain to specify the exact actuator and model number for each order item.



Other than the standard close coupled design, ITT pneumatic actuators may be yoke mounted to suit your specifications and to accommodate a variety of actuator accessories. A complete range of instrumentation accessories are also available mounted and piped for easy installation.

Dia-Flo valves can also be supplied with pneumatic actuators of other manufacturers or with electric actuators sized for optimum performance.