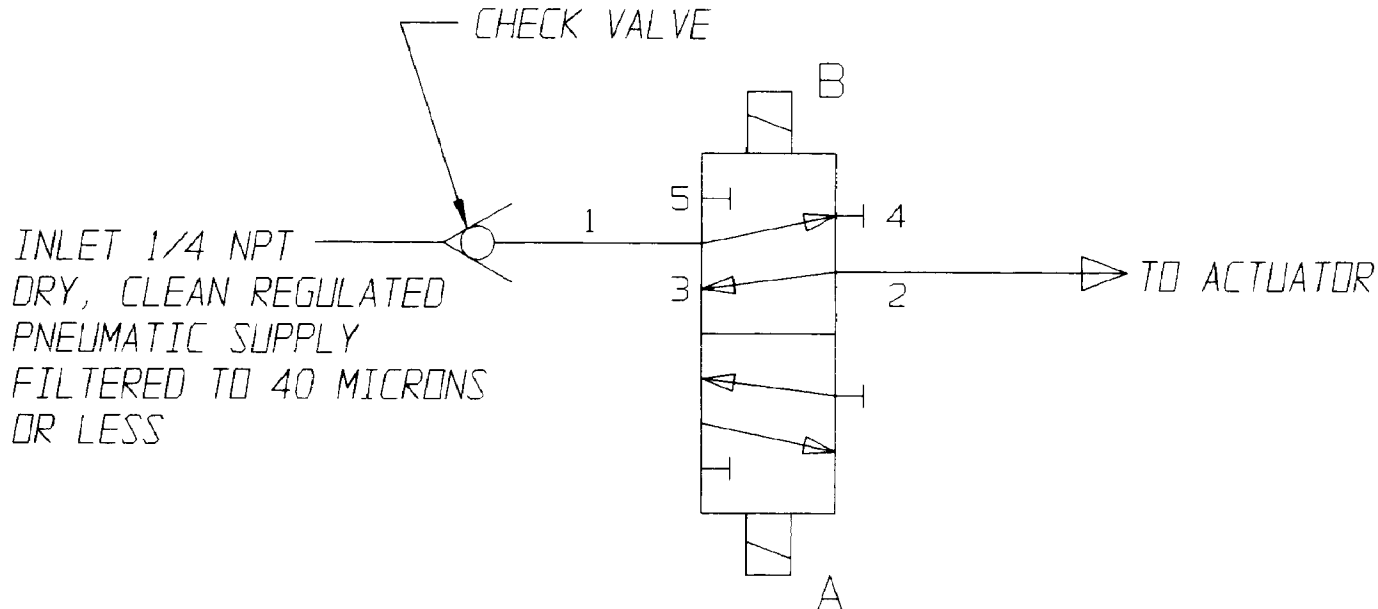


THIS DOCUMENT IS THE PROPERTY OF ITT ENGINEERED VALVES AND IS LOANED SUBJECT TO RETURN. IT IS ISSUED IN STRICT CONFIDENCE AND SHALL NOT BE REPRODUCED, OR COPIED, OR DISCLOSED IN WHOLE OR IN PART, OR USED AS THE BASIS FOR THE MANUFACTURE OR SALES OF APPARATUS WITHOUT THE EXPRESS WRITTEN CONSENT OF ITT ENGINEERED VALVES.

PORTS		
SUPPLY	1	IN
ACTUATOR	2	A
CYL EXH	3	EA
PLUG	4	B
PLUG	5	EB



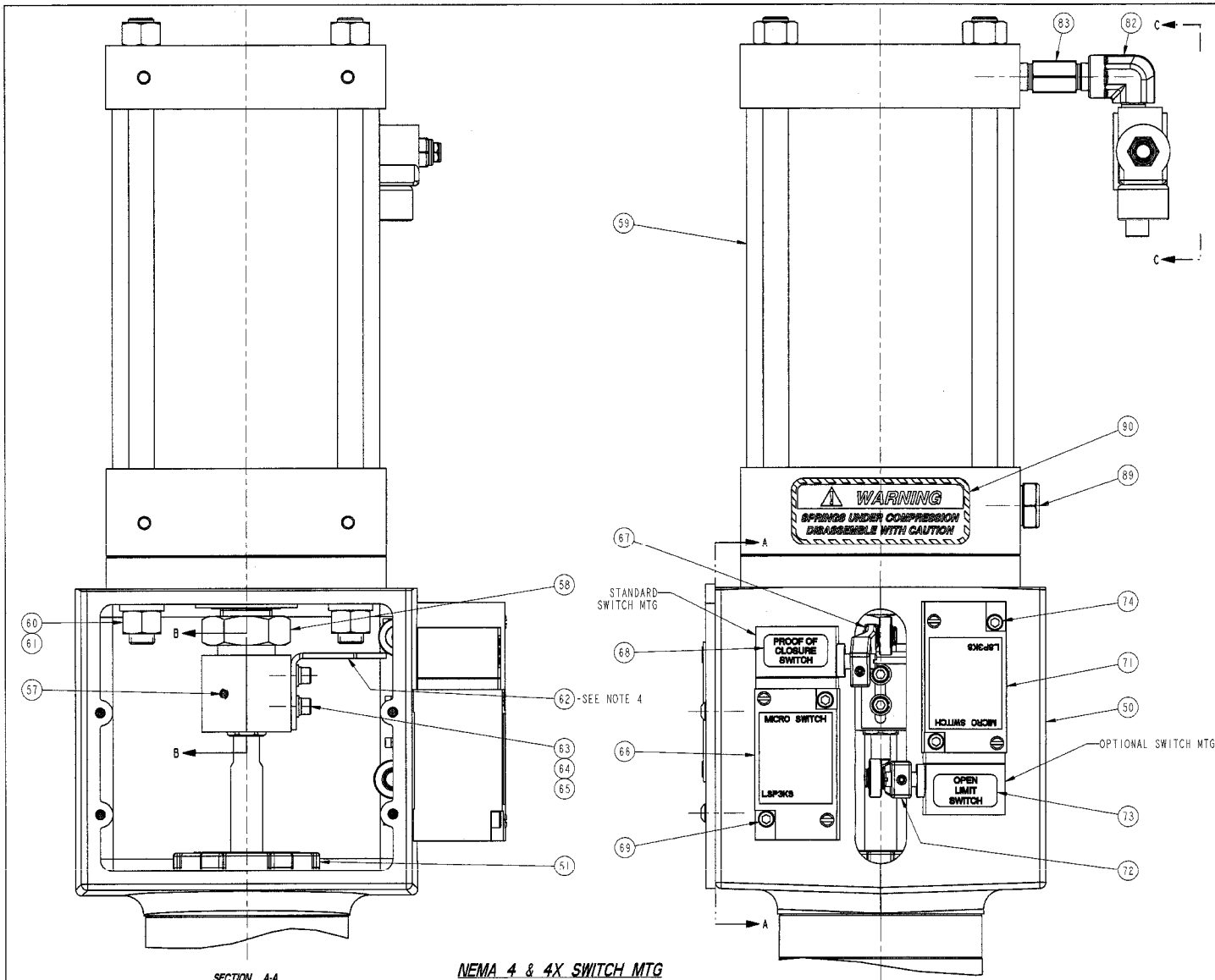
NOTES:
1. VALVE SHOWN WITH COIL B LAST ENERGIZED.

ECN#3575

PART NO. -

PATTERN NO. -

<p>FILE 117624</p>	<p>TOLERANCES EXCEPT AS NOTED DECIMALS .XX ± .02 .XXX ± .005 ANGLES ±0.50° REMOVE ALL BURRS AND SHARP EDGES ALL MACHINED SURFACES TO BE 125 EXCEPT AS NOTED</p>	<p>WEIGHT -</p>	<p>SCALE NTS</p>	<p>PNEUMATIC SUPPLY GAS BURNER VALVE T4100 FAIL IN LAST</p>	<p>ITT Engineered Valves ITT Fluid Technology Corporation Lancaster, Pa</p>						
		<table border="1"> <tr> <td>DATE</td> <td>BY</td> </tr> <tr> <td>4/22/98</td> <td>JDW</td> </tr> </table>	DATE	BY	4/22/98	JDW			<p>SIZE A</p>	<p>DRAWING NUMBER 117624</p>	
	DATE	BY									
	4/22/98	JDW									
	<table border="1"> <tr> <td>CHKD</td> <td>4/22/98</td> <td>mjc</td> </tr> <tr> <td>APVD</td> <td>4/22/98</td> <td>AKC</td> </tr> </table>	CHKD	4/22/98	mjc	APVD	4/22/98	AKC		<p>SUPERSEDES:-</p>	<p>SHEET 1 OF 1</p>	<p>REV -</p>
CHKD	4/22/98	mjc									
APVD	4/22/98	AKC									



LIST OF PARTS			
ITEM	DWG. NO.	QTY.	DESCRIPTION
50	117602		YOKE
51	-		NUT-LOCK
52	-		NUT-SPHERICAL FLANGE 0.38-16
53	-		WASHER-SPHERICAL 0.38
54	119046	1	WASHER-FL 1.40 x 0.80 x 0.66
55	119011	1	ADAPTER-COILING
56	119013	1	HOUSING-COILING
57	C2-2.3	1	SETSCR-HXSK 10-32 x 0.38
58	C2-3.2	1	NUT-HEX JAM 1.00-14
59	119085	1	ACTUATOR
60	C2-3.1	4	NUT-HEX 0.50-20
61	C4-4.5	4	LOCKWASHER-SPRING 0.50
62	119012	1	BRACKET-SWITCH
63	C2-2.6	2	CAPSCR-HXSKT 10-32 x 0.38
64	C4-4.5	2	LOCKWASHER-SPRING 10
65	-	2	WASHER-PLAIN 10 TYPE B NAR
66	-	1	SWITCH-MICRO LSP3K (NEMA 4)
			SWITCH-MICRO LS2H4K3 (NEMA 4X)
			SWITCH-MICRO LSP3K3 (NEMA 7)
67	-	1	LEVER-OPERATING LS259B (NEMA 4)
			LEVER-OPERATING LS2751B (NEMA 4X)
			LEVER-OPERATING LS259A (NEMA 7)
68	117500	1	LABEL-POC SWITCH
69	C2-2.6	2	CAPSCR-HEXSKT 10-32 x 2.00
			CAPSCR-HEXSKT 10-32 x 1.25
70	-	2	LOCKWASHER-SPRING HI-COLLAR 10
71	-	1	SWITCH-MICRO LSP3K (NEMA 4)
			SWITCH-MICRO LS2H4K3 (NEMA 4X)
			SWITCH-MICRO LSP3K3 (NEMA 7)
			LEVER-OPERATING LS259B (NEMA 4)
			LEVER-OPERATING LS2751B (NEMA 4X)
			LEVER-OPERATING LS259A (NEMA 7)
73	117760	1	LABEL-OPEN LIMIT SWITCH
74	C2-2.6	2	CAPSCR-HEXSKT 10-32 x 2.00
			CAPSCR-HEXSKT 10-32 x 1.25
75	-	2	LOCKWASHER-SPRING HI-COLLAR 10
77	06-017	1	LENS
78	-	4	CAPSCR-BTN HD 10-32 x 0.50
79	119031	1	DECAL-LENS
80	-	1	SOLENOID-VERSA VPCV-60
81	-	1	MUFFLER-VENT 0.25NPT
82	-	1	ELBOW-STREET 0.25NPT
83	-	1	NIPPLE-HEX LONG 0.25NPT x 2.00
84	-	1	VALVE-CHECK INLET 0.25NPT
89	-	1	FILTER-BREATHER VENT 0.50NPT
90	90-018	1	LABEL-WARNING
91	-	1	PLATE-ADAPTER NEMA 7 (POC)
92	-	2	CAPSCR-BTN HD 10-32 x 0.50 STN STL (POC)
93	-	1	PLATE-ADAPTER NEMA 7 (OSW)
94	-	2	CAPSCR-BTN HD 10-32 x 0.50 STN STL (OSW)

NOTES:
 1. FOR INLET VALVE ASSEMBLY, SEE DRAWINGS:
 T4150C - 118967
 T4200C - 119024
 2. RECOMMENDED SPARE PARTS.
 3. POSITION INDICATOR LABEL LOCATED AFTER LENS ATTACHMENT, ALIGNED WITH SWITCH BRACKET IN CLOSED VALVE POSITION.
 4. PAINT LEADING EDGE WITH RED PAINT FOR VISUAL INDICATION.

ECN#16510

SECTION AA

NEMA 4 & 4X SWITCH MTG

THIS DOCUMENT IS THE SOLE PROPERTY OF ITT INDUSTRIES, INC., OR ITS SUBSIDIARY, AND IS PROVIDED SUBJECT TO RETURN. IT IS ISSUED IN STRICT CONFIDENCE AND SHALL NOT BE REPRODUCED, OR COPIED, OR DISCLOSED IN WHOLE OR IN PART, OR USED AS THE BASIS FOR THE MANUFACTURE OR SALES OF APPARATUS OR PARTS TO WHICH THE DOCUMENT RELATES, WITHOUT THE EXPRESS WRITTEN CONSENT OF ITT INDUSTRIES, INC., OR ITS SUBSIDIARY. THIS LEGEND SHALL BE MARKED ON ANY REPRODUCTION HEREOF, IN WHOLE OR IN PART. ALL RIGHTS TO THE INFORMATION AND DESIGN DISCLOSED HEREIN ARE RESERVED TO ITT INDUSTRIES, INC., OR ITS SUBSIDIARY.

UNLESS OTHERWISE SPECIFIED, ALL DIMENSIONS IN BRACKETS ARE MILLIMETERS. PATTERN NO. -

THIRD ANGLE PROJECTION

UNLESS OTHERWISE SPECIFIED, ALL DIMENSIONS ARE IN INCHES

RETRY SCALE 1:1

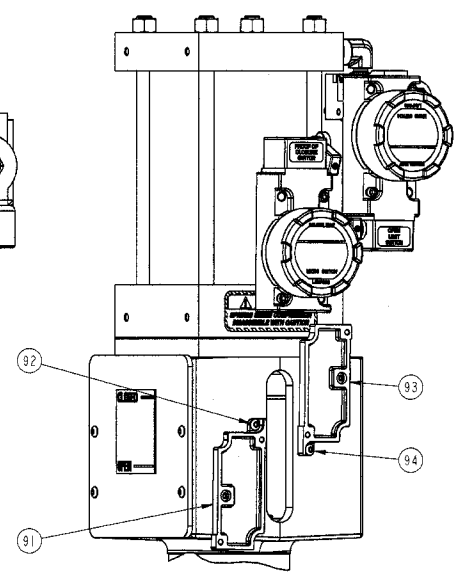
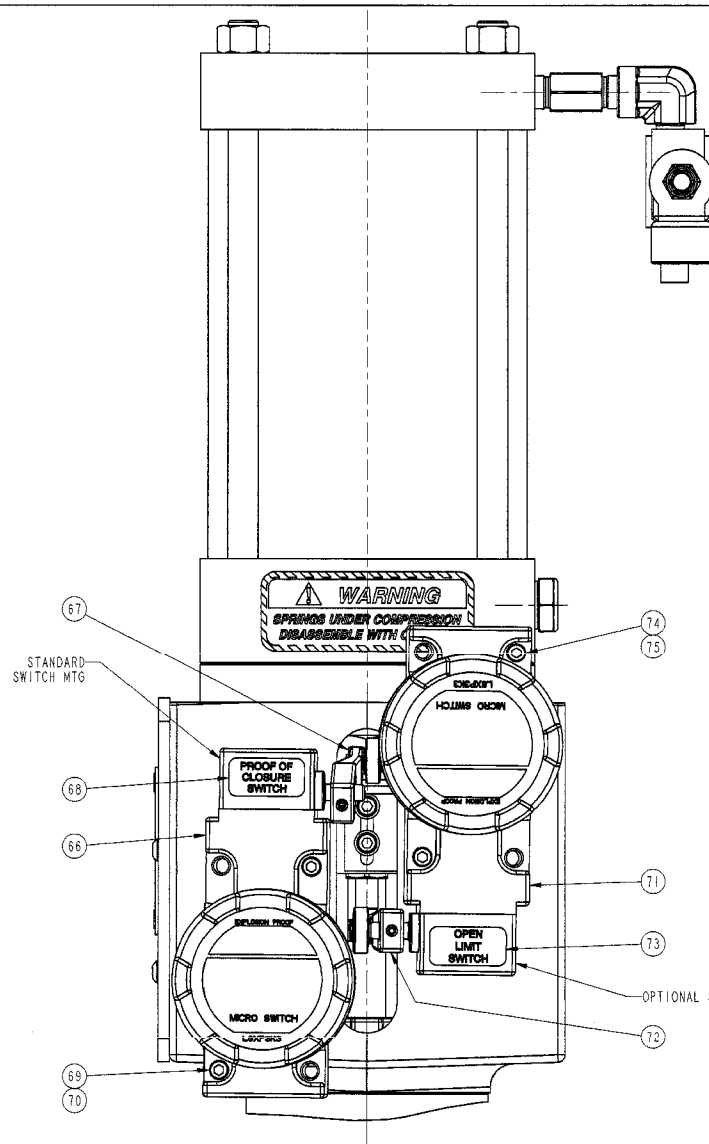
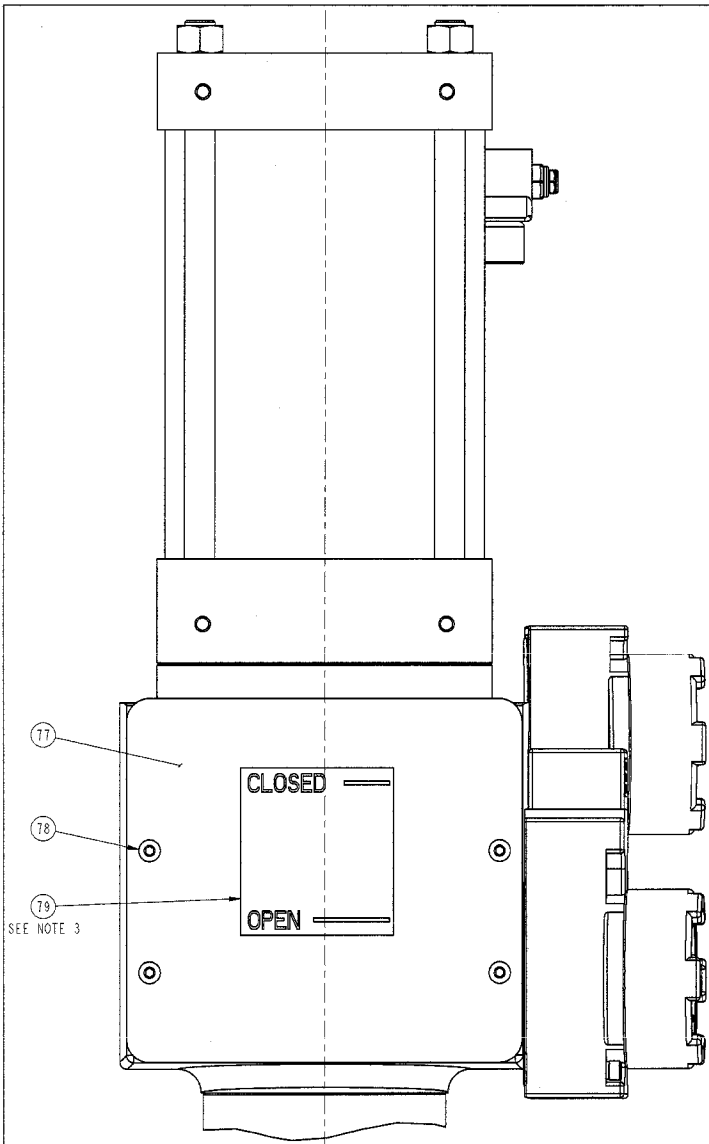
SWITCH ASSEMBLY SKOTCH GNIETER T4150C & T4200C

ITT Industries

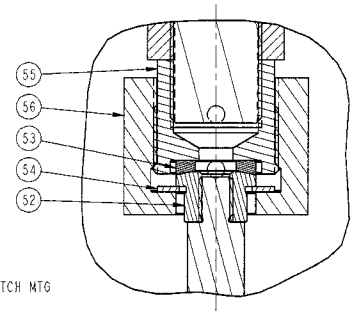
Engineered Valves Laramore, PA USA

FILE NUMBER 119122 SHEET REV 1 of 3 B

FILE COPY



EXPLODED VIEW
NEMA 7 SWITCHES
SCALE 12



SECTION B-B
SCALE 3/2

NEMA 7 SWITCH MTG

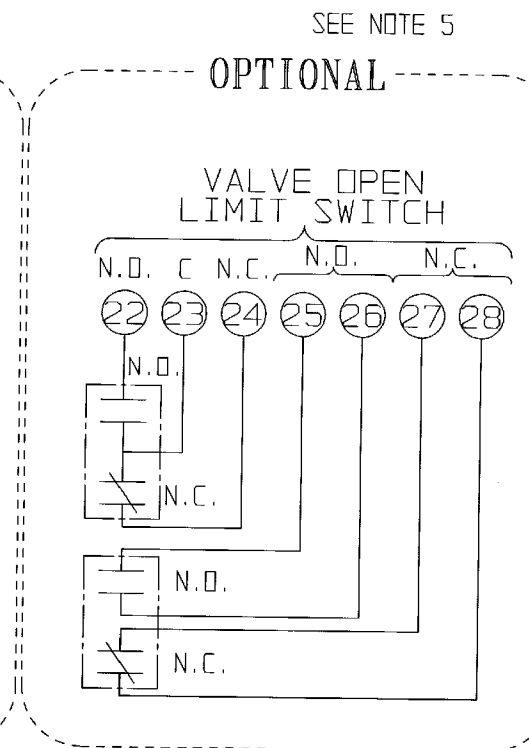
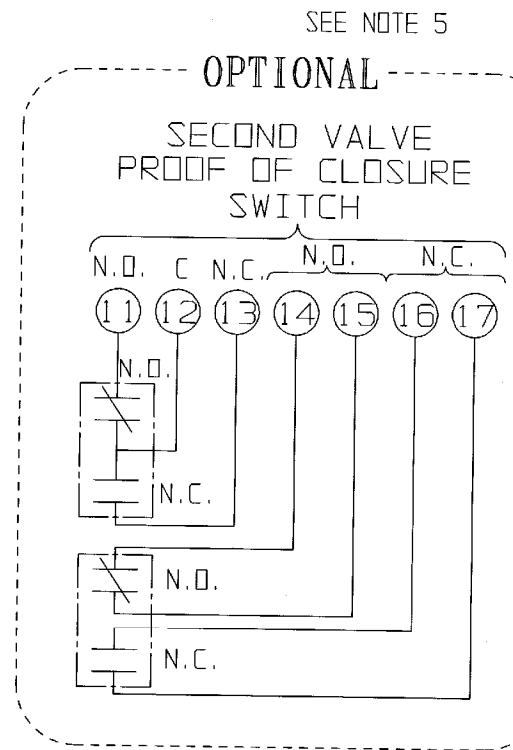
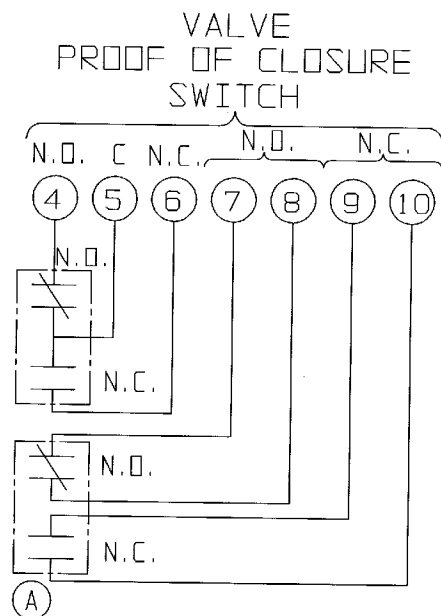
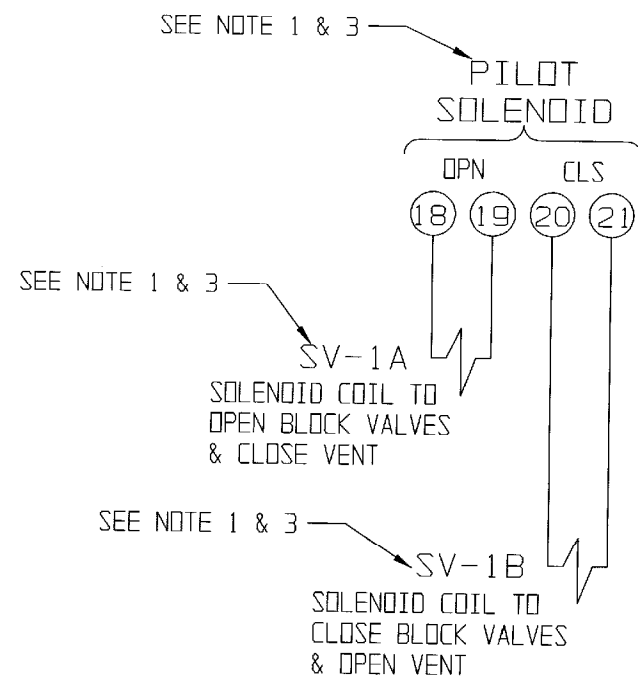
ECN# 6510

THIS DOCUMENT IS THE SOLE PROPERTY OF ITT INDUSTRIES, INC., OR ITS SUBSIDIARY, AND IS PROVIDED SUBJECT TO RETURN. IT IS ISSUED IN STRICT CONFIDENCE AND SHALL NOT BE REPRODUCED, OR COPIED, OR DISCLOSED IN WHOLE OR IN PART, OR USED AS THE BASIS FOR THE MANUFACTURE OR SALES OF APPARATUS OR PARTS TO WHICH THE DOCUMENT RELATES, WITHOUT THE EXPRESS WRITTEN CONSENT OF ITT INDUSTRIES INC., OR ITS SUBSIDIARY. THIS LEGEND SHALL BE MARKED ON ANY REPRODUCTION HEREOF, IN WHOLE OR IN PART. ALL RIGHTS TO THE INFORMATION AND DESIGN DISCLOSED HEREIN ARE RESERVED TO ITT INDUSTRIES, INC., OR ITS SUBSIDIARY.

UNLESS OTHERWISE SPECIFIED, ALL DIMENSIONS IN BRACKETS ARE MILLIMETERS. PATTERN NO. -

THIRD ANGLE PROJECTION	UNLESS OTHERWISE SPECIFIED, DIMENSIONS ARE IN INCHES	RETORT SCALE 1:1	SWITCH ASSEMBLY SHOTCH IGNITER T4150C & T4200C
	INCH	DATE	ITT Industries
	UNLESS OTHERWISE SPECIFIED, ALL DIMENSIONS ARE IN INCHES	REV	Engineered Valve Lancaster, PA USA
		APP'D	DATE
		CHECKED	SHEET 2 OF 3
		APPROVED	REV B
		SUPERVISOR	

ITT Industries	Engineered Valve Lancaster, PA USA
DATE	D 119122
DRAWING NUMBER	119122
SHEET	2 OF 3
REV	B



SWITCH LOGIC (A)

SWITCH TYPE	VALVE P.O.C. SWITCH				SECOND VALVE P.O.C. SWITCH				VALVE OPEN LIMIT SWITCH			
	4-5	5-6	7-8*	9-10*	11-12	12-13	14-15*	16-17*	22-23	23-24	25-26*	27-28*
BLOCK VALVES CLOSED VENT OPEN	⎓	⎓	⎓	⎓	⎓	⎓	⎓	⎓	⎓	⎓	⎓	⎓
BLOCK VALVES OPEN VENT CLOSED	⎓	⎓	⎓	⎓	⎓	⎓	⎓	⎓	⎓	⎓	⎓	⎓

* THESE TERMINALS ONLY PROVIDED ON ORDERS SUPPLIED WITH DPDT SWITCH CONTACT CONFIGURATION.

THIS IS A FACTORY MUTUAL CONTROLLED DOCUMENT. CHANGES MUST BE APPROVED BY FM PRIOR TO IMPLEMENTING.

NOTES:

- SOLENOID VOLTAGE IS DC. CONSULT ORDER SPECIFICATION OR SOLENOID NAMEPLATE FOR SOLENOID VOLTAGE RATING.
- ALL SWITCHES SHOWN WITH BLOCK VALVES IN CLOSED POSITION & VENT OPEN.
- SV-1A & SV-2A REPRESENT THE MAGNETIC COILS ON THE SOLENOID. FOR FAIL CLOSED VALVES (MODEL 4156C, 4206C), ONLY SV-1A IS SUPPLIED. THIS IS A MAINTAINED CONTACT SOLENOID. WHEN ENERGIZED THE VALVE OPENS. FAIL-IN-LAST VALVES (MODEL 4155C, 4205C), SV-2A IS USED IN ADDITION TO SV-1A. THESE REQUIRE MOMENTARY CONTACTS IN THIS APPLICATION. BOTH COILS CANNOT BE ENERGIZED SIMULTANEOUSLY OR DAMAGE WILL OCCUR.
- WIRING SHOWN FOR DPDT SWITCHES. FOR SPDT DELETE WIRE NUMBERS 7,8,9,10,14,15,16,17,25,26,27 AND 28. SEE ORDER SPECIFICATION FOR TYPE AND RATING.
- NOT NORMALLY SUPPLIED.

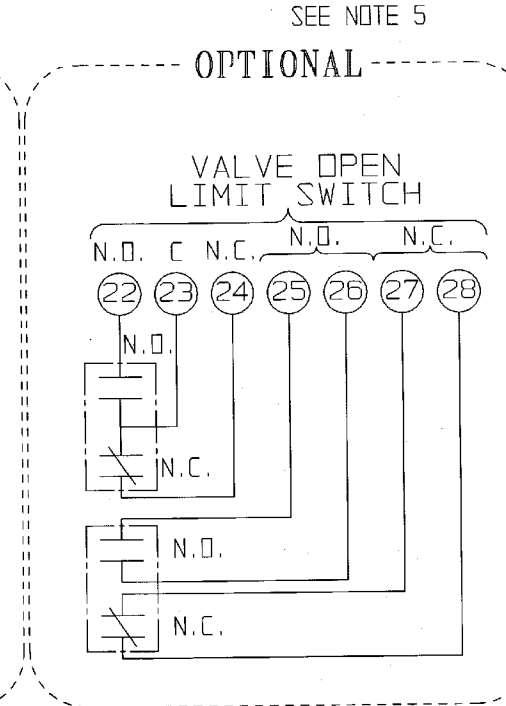
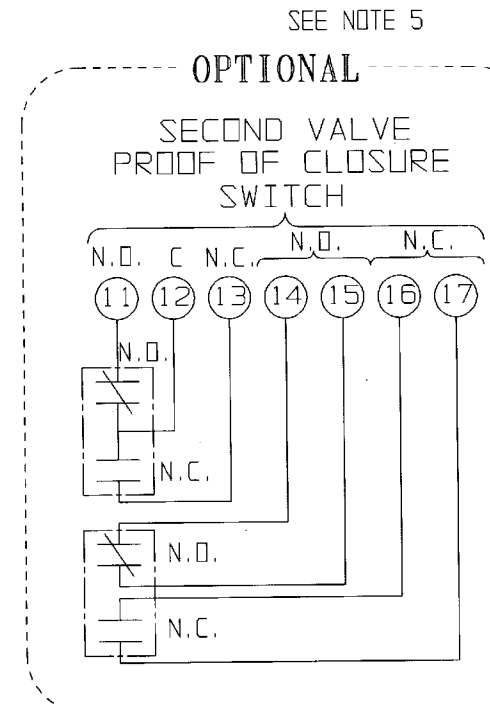
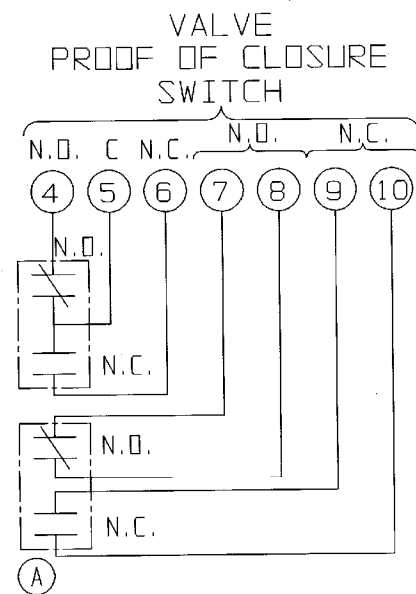
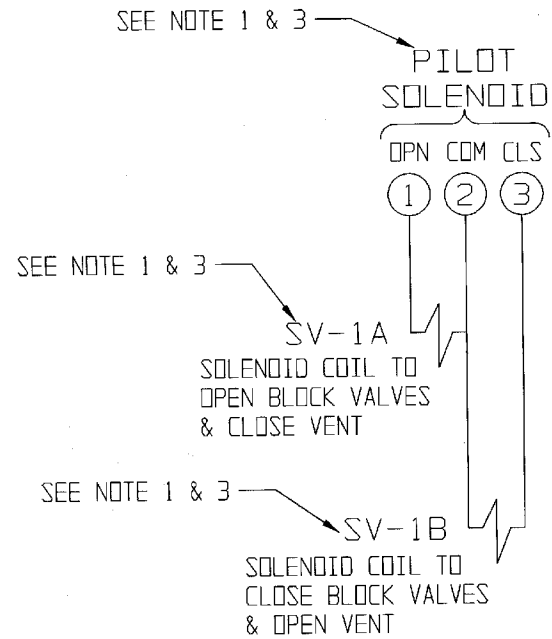
ECN#9329

THIS DOCUMENT IS THE SOLE PROPERTY OF ITT INDUSTRIES, INC., OR ITS SUBSIDIARY, AND IS PROVIDED SUBJECT TO RETURN. IT IS ISSUED IN STRICT CONFIDENCE AND SHALL NOT BE REPRODUCED, OR COPIED, OR DISCLOSED IN WHOLE OR IN PART, OR USED AS THE BASIS FOR THE MANUFACTURE OR SALES OF APPARATUS OR PARTS TO WHICH THE DOCUMENT RELATES, WITHOUT THE EXPRESS WRITTEN CONSENT OF ITT INDUSTRIES, INC., OR ITS SUBSIDIARY. THIS LEGEND SHALL BE MARKED ON ANY REPRODUCTION HEREOF, IN WHOLE OR IN PART. ALL RIGHTS TO THE INFORMATION AND DESIGN DISCLOSED HEREIN ARE RESERVED TO ITT INDUSTRIES, INC., OR ITS SUBSIDIARY.

BY: 10/28/01

UNLESS OTHERWISE SPECIFIED, ALL DIMENSIONS IN BRACKETS ARE MILLIMETERS. PATTERN NO. -

THIRD ANGLE PROJECTION	UNLESS OTHERWISE NOTED	WEIGHT	SCALE	WIRING DIAGRAM GAS IGNITER VALVE PNEUMATIC - DC SOLENOIDS	ITT Industries Engineered Valves Lancaster, PA USA
	INCH	DATE	BY		
UNLESS OTHERWISE SPECIFIED, ALL DIMENSIONS ARE IN INCHES	X = ± 0.05	OWN	2/23/05	AKC	SIZE DRAWING NUMBER C 119431
	XX = ± 0.03 [X] = ± [0.76]	CHKD	2/23/05	AKC	
	XXX = ± 0.02 [XX] = ± [1.5]	APVD	2/23/05	AKC	
	XXXX = ± 0.005 [XXX] = ± [1.2]				
	X/X = ± 1/16				
	X° = ± 5°				
	X' = ± 5'				
	REMOVE ALL BURRS AND SHARP EDGES. MACHINED SURFACES TO BE 32 EXCEPT AS NOTED.				



SWITCH LOGIC (A)

SWITCH TYPE	VALVE P.O.C. SWITCH				SECOND VALVE P.O.C. SWITCH				VALVE OPEN LIMIT SWITCH			
	4-5	5-6	7-8*	9-10*	11-12	12-13	14-15*	16-17*	22-23	23-24	25-26*	27-28*
BLOCK VALVES CLOSED VENT OPEN	⌘	⌘	⌘	⌘	⌘	⌘	⌘	⌘	⌘	⌘	⌘	⌘
BLOCK VALVES OPEN VENT CLOSED	⌘	⌘	⌘	⌘	⌘	⌘	⌘	⌘	⌘	⌘	⌘	⌘

* THESE TERMINALS ONLY PROVIDED ON ORDERS SUPPLIED WITH DPDT SWITCH CONTACT CONFIGURATION.

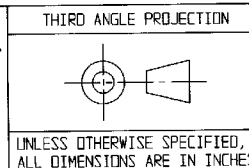
THIS IS A FACTORY MUTUAL CONTROLLED DOCUMENT. CHANGES MUST BE APPROVED BY FM PRIOR TO IMPLEMENTING.

NOTES:

- SOLENOID VOLTAGE IS AC. CONSULT ORDER SPECIFICATION OR SOLENOID NAMEPLATE FOR SOLENOID VOLTAGE RATING.
- ALL SWITCHES SHOWN WITH BLOCK VALVES IN CLOSED POSITION & VENT OPEN.
- SV-1A & SV-2A REPRESENT THE MAGNETIC COILS ON THE SOLENOID. FOR FAIL CLOSED VALVES (MODEL 4156C, 4206C), ONLY SV-1A IS SUPPLIED. THIS IS A MAINTAINED CONTACT SOLENOID. WHEN ENERGIZED THE VALVE OPENS. FAIL-IN-LAST VALVES (MODEL 4155C, 4205C), SV-2A IS USED IN ADDITION TO SV-1A. THESE REQUIRE MOMENTARY CONTACTS IN THIS APPLICATION. BOTH COILS CANNOT BE ENERGIZED SIMULTANEOUSLY OR DAMAGE WILL OCCUR.
- WIRING SHOWN FOR DPDT SWITCHES. FOR SPDT DELETE WIRE NUMBERS 7, 8, 9, 10, 14, 15, 16, 17, 25, 26, 27 AND 28. SEE ORDER SPECIFICATION FOR TYPE AND RATING.
- NOT NORMALLY SUPPLIED.

ECN#9329

THIS DOCUMENT IS THE SOLE PROPERTY OF ITT INDUSTRIES, INC., OR ITS SUBSIDIARY, AND IS PROVIDED SUBJECT TO RETURN. IT IS ISSUED IN STRICT CONFIDENCE AND SHALL NOT BE REPRODUCED, OR COPIED, OR DISCLOSED IN WHOLE OR IN PART, OR USED AS THE BASIS FOR THE MANUFACTURE OR SALES OF APPARATUS OR PARTS TO WHICH THE DOCUMENT RELATES, WITHOUT THE EXPRESS WRITTEN CONSENT OF ITT INDUSTRIES, INC., OR ITS SUBSIDIARY. THIS LEGEND SHALL BE MARKED ON ANY REPRODUCTION HEREOF, IN WHOLE OR IN PART. ALL RIGHTS TO THE INFORMATION AND DESIGN DISCLOSED HEREIN ARE RESERVED TO ITT INDUSTRIES, INC., OR ITS SUBSIDIARY.



UNLESS OTHERWISE NOTED INCHES

X = ± 0.06	[X] = ± []
.X = ± 0.03	[.X] = ± []
.XX = ± 0.02	[.XX] = ± []
.XXX = ± 0.005	[.XXX] = ± []
X/X = ± 1/16	X° = ± 5°
X° = ± 1°	

REMOVE ALL BURRS AND SHARP EDGES. MACHINED SURFACES TO BE \sqrt{R} EXCEPT AS NOTED.

WEIGHT SCALE

DATE BY

DWN 2/23/05 KCD

CHKD 2/23/05 KCD

APVD 2/23/05 KCD

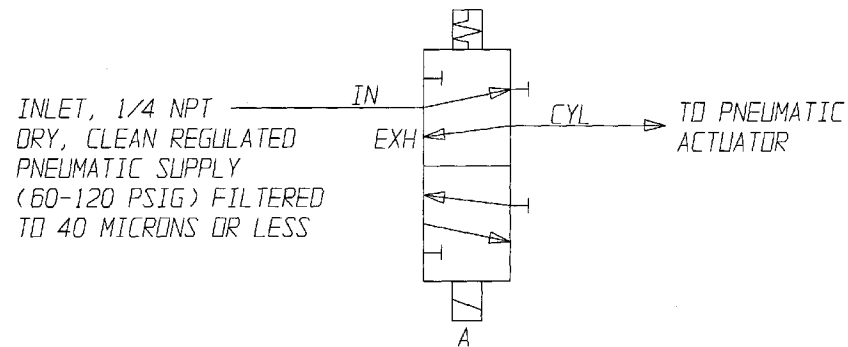
WIRING DIAGRAM
GAS IGNITER VALVE
PNEUMATIC - AC SOLENOIDS

SUPERSEDES: -

ITT Industries

Engineered Valves
Lancaster, PA USA

SIZE	DRAWING NUMBER	SHEET	REV
C	119430	1 OF 1	A



INLET, 1/4 NPT
 DRY, CLEAN REGULATED
 PNEUMATIC SUPPLY
 (60-120 PSIG) FILTERED
 TO 40 MICRONS OR LESS

NOTES:

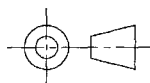
1. SV-1A IS A SINGLE COIL SPRING RETURN SOLENOID OPERATED PILOT VALVE, MAINTAINED CONTACT TYPE, WHICH CONTROLS THE MAIN VALVES POSITION.
2. PILOT VALVE SHOWN IS IN DE-ENERGIZED STATE.

ECN#6510

UNLESS OTHERWISE SPECIFIED, ALL DIMENSIONS IN BRACKETS ARE MILLIMETERS. PATTERN NO. -

THIS DOCUMENT IS THE SOLE PROPERTY OF ITT INDUSTRIES, INC., OR ITS SUBSIDIARY, AND IS PROVIDED SUBJECT TO RETURN. IT IS ISSUED IN STRICT CONFIDENCE AND SHALL NOT BE REPRODUCED, OR COPIED, OR DISCLOSED IN WHOLE OR IN PART, OR USED AS THE BASIS FOR THE MANUFACTURE OR SALES OF APPARATUS OR PARTS TO WHICH THE DOCUMENT RELATES, WITHOUT THE EXPRESS WRITTEN CONSENT OF ITT INDUSTRIES, INC., OR ITS SUBSIDIARY. THIS LEGEND SHALL BE MARKED ON ANY REPRODUCTION HEREOF, IN WHOLE OR IN PART. ALL RIGHTS TO THE INFORMATION AND DESIGN DISCLOSED HEREIN ARE RESERVED TO ITT INDUSTRIES, INC., OR ITS SUBSIDIARY.

THIRD ANGLE PROJECTION



UNLESS OTHERWISE SPECIFIED,
 ALL DIMENSIONS ARE IN INCHES

UNLESS OTHERWISE NOTED
 INCH MM
 X = ± 0.06 [X] = ± [.76]
 .X = ± 0.03 [.X] = ± [.5]
 .XX = ± 0.02 [.XX] = ± [.12]
 .XXX = ± 0.005 [.XXX] = ± [.12]
 X/X = ± 1/16
 X° = ± 5° X° = ± .5°
 X° = ± 1° X° = ± 1°
 REMOVE ALL BURRS AND SHARP EDGES. MACHINED SURFACES TO BE EXCEPT AS NOTED.

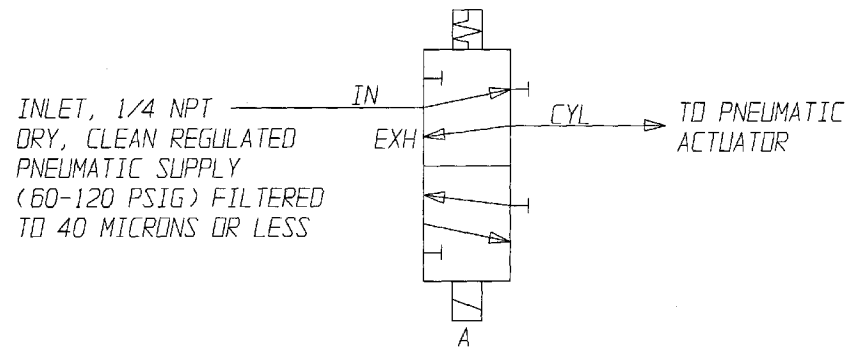
WEIGHT	SCALE
-	-
DATE	BY
OWN	OS/MS/MS
CHKD	OS/MS/MS
APVD	OS/MS/MS

PNEUMATIC SUPPLY
 GAS IGNITER VALVE
 T4150C, T4200C
 VERSA SINGLE COIL
 -
 -
 SUPERSEDES: -

		Engineered Valves Lancaster, PA USA	
SIZE	DRAWING NUMBER	SHEET	REV
B	119429	1 OF 1	-

BY B 02/28/03

FILE COPY



INLET, 1/4 NPT
 DRY, CLEAN REGULATED
 PNEUMATIC SUPPLY
 (60-120 PSIG) FILTERED
 TO 40 MICRONS OR LESS

NOTES:

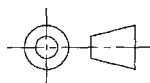
1. SV-1A IS A SINGLE COIL SPRING RETURN SOLENOID OPERATED PILOT VALVE, MAINTAINED CONTACT TYPE, WHICH CONTROLS THE MAIN VALVES POSITION.
2. PILOT VALVE SHOWN IS IN DE-ENERGIZED STATE.

ECN#6510

UNLESS OTHERWISE SPECIFIED, ALL DIMENSIONS IN BRACKETS ARE MILLIMETERS. PATTERN NO. -

THIS DOCUMENT IS THE SOLE PROPERTY OF ITT INDUSTRIES, INC., OR ITS SUBSIDIARY, AND IS PROVIDED SUBJECT TO RETURN. IT IS ISSUED IN STRICT CONFIDENCE AND SHALL NOT BE REPRODUCED, OR COPIED, OR DISCLOSED IN WHOLE OR IN PART, OR USED AS THE BASIS FOR THE MANUFACTURE OR SALES OF APPARATUS OR PARTS TO WHICH THE DOCUMENT RELATES, WITHOUT THE EXPRESS WRITTEN CONSENT OF ITT INDUSTRIES, INC., OR ITS SUBSIDIARY. THIS LEGEND SHALL BE MARKED ON ANY REPRODUCTION HEREOF, IN WHOLE OR IN PART. ALL RIGHTS TO THE INFORMATION AND DESIGN DISCLOSED HEREIN ARE RESERVED TO ITT INDUSTRIES, INC., OR ITS SUBSIDIARY.

THIRD ANGLE PROJECTION



UNLESS OTHERWISE SPECIFIED,
 ALL DIMENSIONS ARE IN INCHES

UNLESS OTHERWISE NOTED
 INCH MM
 X = ± 0.06 [X] = ± [.76]
 .X = ± 0.03 [.X] = ± [.5]
 .XX = ± 0.02 [.XX] = ± [.12]
 .XXX = ± 0.005 [.XXX] = ± [.12]
 X/X = ± 1/16
 X° = ± 5° X° = ± .5°
 X° = ± 1° X° = ± 1°
 REMOVE ALL BURRS AND SHARP EDGES. MACHINED SURFACES TO BE EXCEPT AS NOTED.

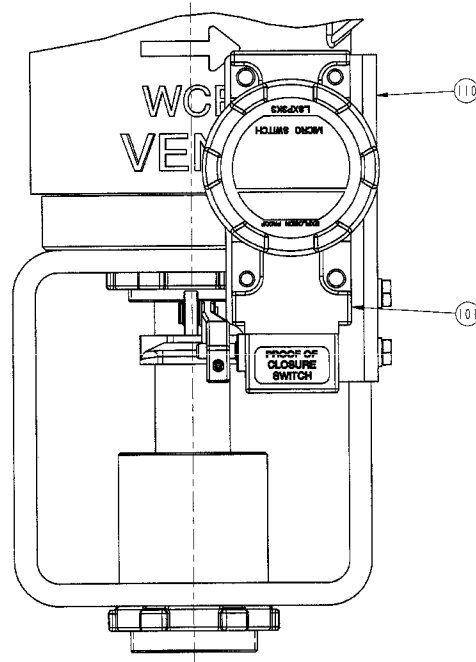
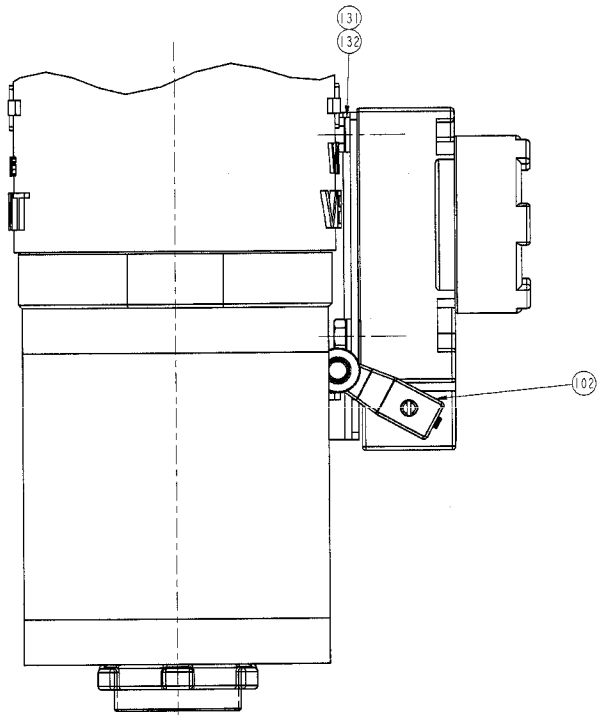
WEIGHT	SCALE
-	-
DATE	BY
OWN	OS/afp/MLC
CHKD	OS/afp/MLC
APVD	OS/afp/MLC

PNEUMATIC SUPPLY
 GAS IGNITER VALVE
 T4150C, T4200C
 VERSA SINGLE COIL
 -
 -
 SUPERSEDES: -

		Engineered Valves Lancaster, PA USA	
SIZE	DRAWING NUMBER	SHEET	REV
B	119429	1 OF 1	-

BY B 02/28/03

FILE COPY



NEMA 7 SWITCH MTG

LIST OF PARTS			
ITEM	DWG. NO.	QTY.	DESCRIPTION
6	119119	1	TUBE-VENT SHAFT POC
32	119126	1	FLANGE-VENT UPPER
* 101	-	1	SWITCH-MICRO LSP3K (NEMA 4) SWITCH-MICRO LS2H4K3 (NEMA 4X) SWITCH-MICRO LSP3K3 (NEMA 7) LEVER-OPERATING LS259B (NEMA 4) LEVER-OPERATING LS2751B (NEMA 4X) LEVER-OPERATING LS259A (NEMA 7)
102	-	1	LEVER-OPERATING LS2751B (NEMA 4X) LEVER-OPERATING LS259A (NEMA 7)
103	-	2	WCHSCR-FIL 10-32 x 2.00
105	C4-4.5	2	LOCKWASHER-SPRING 10
106	-	2	NUT-HEX MACH 10-32
107	117500	1	LABEL-POC SWITCH
110	119042	1	BRACKET-POC HDLS (NEMA4 & NEMA 4X)
110	119111	1	BRACKET-POC HDLS (NEMA 7)
111	-	2	NUT-LOCK
112	119105	1	ACTUATOR-SWITCH
113	C2-2.5	1	SETSQR-HXSK 0.25-28 x 0.25
116	C2-2.5	2	CAPSCR-HEX 0.25-28 x 0.75
117	C4-4.5	2	LOCKWASHER-SPRING 0.25
119	119096	1	YOKE-POC
120	119131	1	FLANGE-VENT LOWER
121	-	1	RING-RETAINING N5001-175
122	119130	1	WASHER-SEAL POC
* 123	-	1	O-CUP SEAL 840501250
125	-	1	BEARING 1.250 x 1.406 x 0.750
* 130	-	1	O-CUP SEAL 860001250
131	C2-2.5	2	CAPSCR-HEX 0.31-18 x 0.75
132	C4-4.5	2	LOCKWASHER-SPRING 0.31

NOTES:
 1. FOR INLET VALVE ASSEMBLY, SEE DRAWING 119024.
 #2. RECOMMENDED SPARE PARTS.

ECN# 6510

THIS DOCUMENT IS THE SOLE PROPERTY OF ITT INDUSTRIES, INC., OR ITS SUBSIDIARY, AND IS PROVIDED SUBJECT TO RETURN. IT IS ISSUED IN STRICT CONFIDENCE AND SHALL NOT BE REPRODUCED, OR COPIED, OR DISCLOSED IN WHOLE OR IN PART, OR USED AS THE BASIS FOR THE MANUFACTURE OR SALES OF APPARATUS OR PARTS TO WHICH THE DOCUMENT RELATES, WITHOUT THE EXPRESS WRITTEN CONSENT OF ITT INDUSTRIES, INC., OR ITS SUBSIDIARY. THIS LEGEND SHALL BE MARKED ON ANY REPRODUCTION HEREOF, IN WHOLE OR IN PART. ALL RIGHTS TO THE INFORMATION AND DESIGN DISCLOSED HEREIN ARE RESERVED TO ITT INDUSTRIES, INC., OR ITS SUBSIDIARY.

UNLESS OTHERWISE SPECIFIED, ALL DIMENSIONS IN BRACKETS ARE MILLIMETERS.

PATTERN NO. -

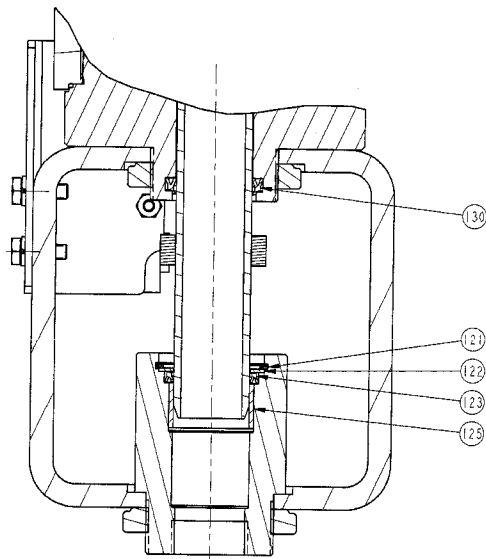


THIRD ANGLE PROJECTION
 UNLESS OTHERWISE SPECIFIED,
 ALL DIMENSIONS ARE IN INCHES

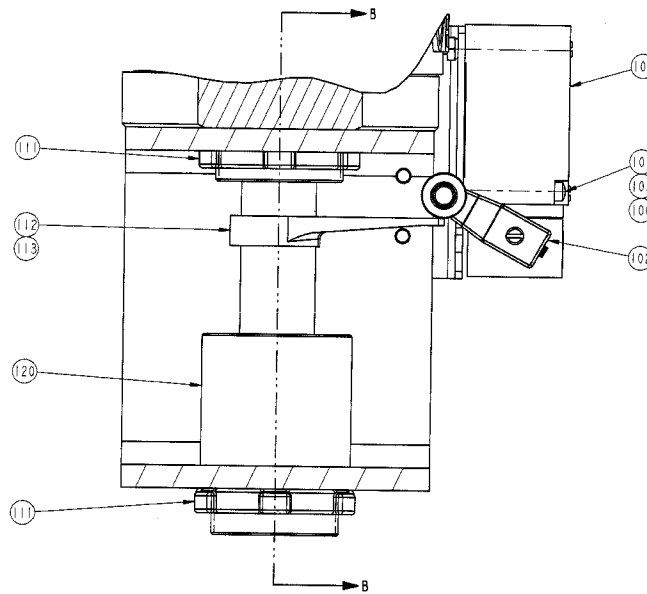
SCALE: 1:1
 DWG: 5-20
 CHD: 5-20-03
 DATE: 5-20-03

POC ASSEMBLY
 SKOTCH IGNITER
 T4200C
 ITT Industries
 Engineered Valve
 Lancaster, PA, USA
 SIZE: D
 DRAWING NUMBER: 119125
 SHEET: 2 of 2
 REV: A

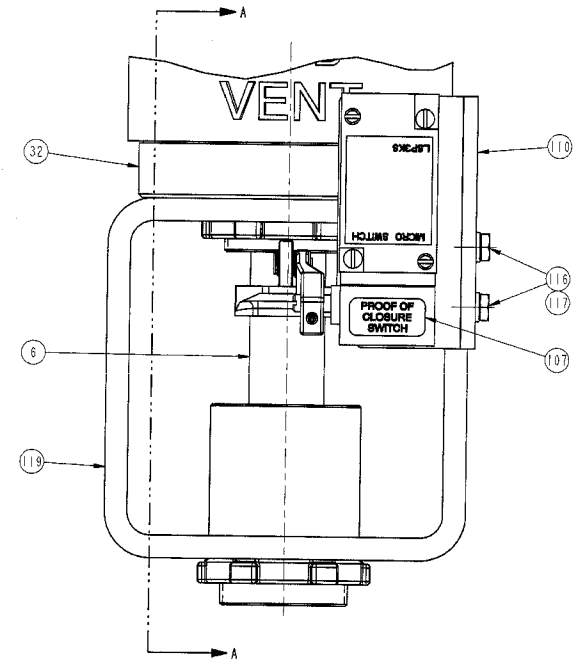
FILE COPY



SECTION B-B



SECTION A-A



NEMA 4 & 4X SWITCH MTG

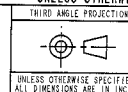
ECN# 6510

THIS DOCUMENT IS THE SOLE PROPERTY OF ITT INDUSTRIES, INC., OR ITS SUBSIDIARY, AND IS PROVIDED SUBJECT TO RETURN. IT IS ISSUED IN STRICT CONFIDENCE AND SHALL NOT BE REPRODUCED, OR COPIED, OR DISCLOSED IN WHOLE OR IN PART, OR USED AS THE BASIS FOR THE MANUFACTURE OR SALES OF APPARATUS OR PARTS TO WHICH THE DOCUMENT RELATES, WITHOUT THE EXPRESS WRITTEN CONSENT OF ITT INDUSTRIES INC., OR ITS SUBSIDIARY. THIS LEGEND SHALL BE MARKED ON ANY REPRODUCTION HEREOF, IN WHOLE OR IN PART. ALL RIGHTS TO THE INFORMATION AND DESIGN DISCLOSED HEREIN ARE RESERVED TO ITT INDUSTRIES, INC., OR ITS SUBSIDIARY.

REV. 0 93/07/83

UNLESS OTHERWISE SPECIFIED, ALL DIMENSIONS IN BRACKETS ARE MILLIMETERS.

PATTERN NO. -



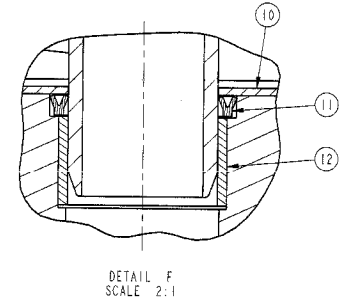
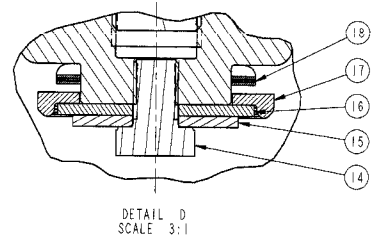
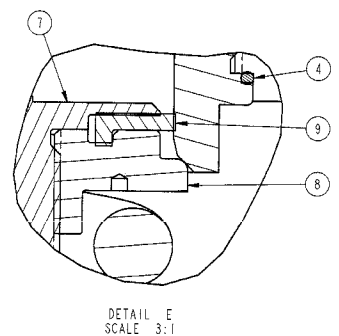
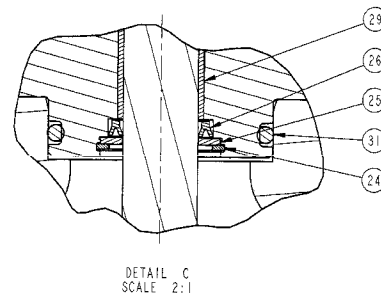
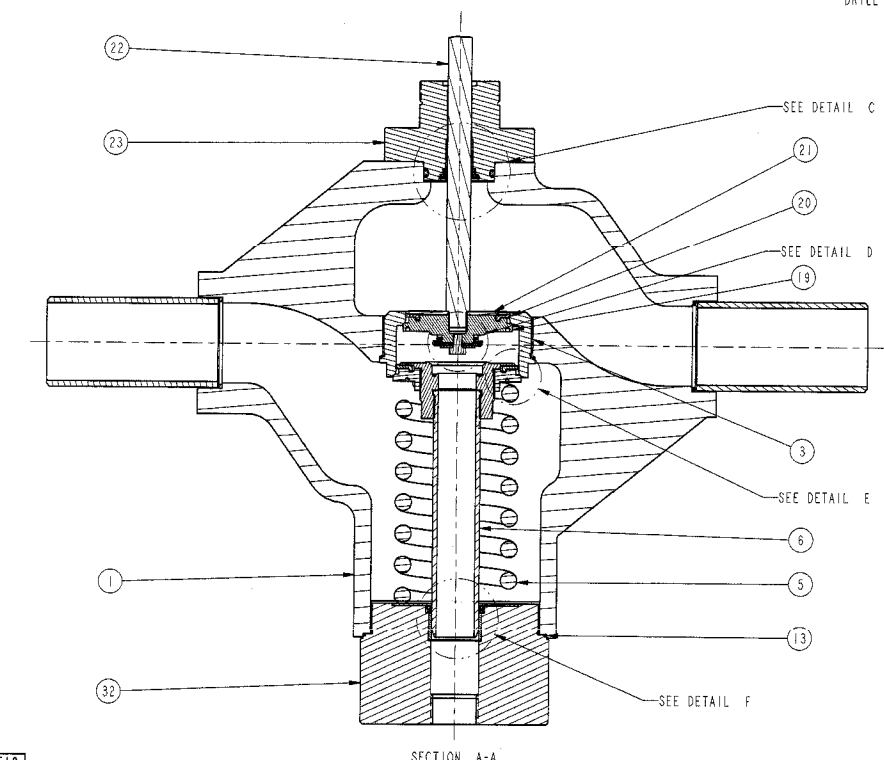
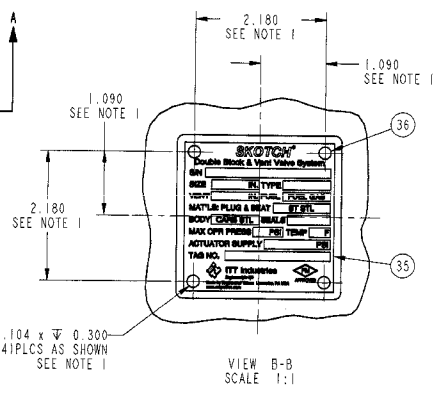
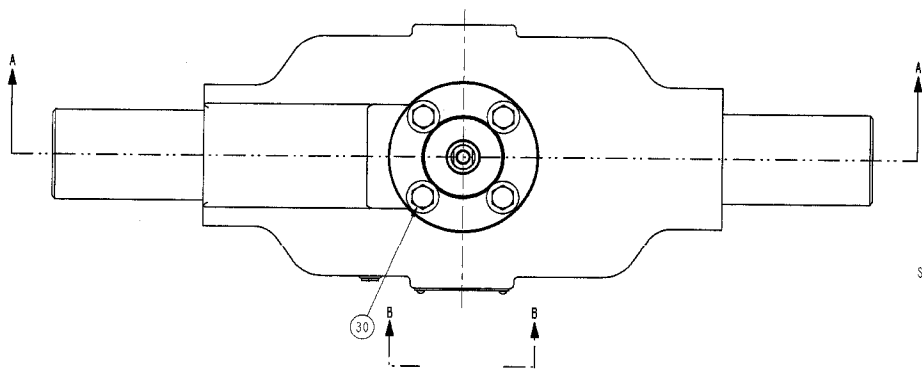
THIRD ANGLE PROJECTION
UNLESS OTHERWISE SPECIFIED,
ALL DIMENSIONS ARE IN INCHES

UNLESS OTHERWISE NOTED	WEIGHT	SCALE	POC ASSEMBLY
INCH		1:3	SKOTCH IGNITER
MILL			T4200C
DATE	REV	BY	CHKD
11/11/83	1	WJ	WJ
11/11/83	2	WJ	WJ
11/11/83	3	WJ	WJ
11/11/83	4	WJ	WJ
11/11/83	5	WJ	WJ
11/11/83	6	WJ	WJ
11/11/83	7	WJ	WJ
11/11/83	8	WJ	WJ
11/11/83	9	WJ	WJ
11/11/83	10	WJ	WJ
11/11/83	11	WJ	WJ
11/11/83	12	WJ	WJ
11/11/83	13	WJ	WJ
11/11/83	14	WJ	WJ
11/11/83	15	WJ	WJ
11/11/83	16	WJ	WJ
11/11/83	17	WJ	WJ
11/11/83	18	WJ	WJ
11/11/83	19	WJ	WJ
11/11/83	20	WJ	WJ
11/11/83	21	WJ	WJ
11/11/83	22	WJ	WJ
11/11/83	23	WJ	WJ
11/11/83	24	WJ	WJ
11/11/83	25	WJ	WJ
11/11/83	26	WJ	WJ
11/11/83	27	WJ	WJ
11/11/83	28	WJ	WJ
11/11/83	29	WJ	WJ
11/11/83	30	WJ	WJ
11/11/83	31	WJ	WJ
11/11/83	32	WJ	WJ

ITT Industries
Engineered Valve
Lancaster, PA USA

TITLE: 119125
DRAWING NUMBER: 119125
SHEET: 1 OF 2
REV: A

FILE COPY



LIST OF PARTS			
ITEM	DWG. NO.	QTY.	DESCRIPTION
1	119022	1	BODY ASSEMBLY
3	119023	1	RING-SEAT
4	196308	1	O RING 045
5	-	1	SPRING-INLET VALVE
6	119119	1	TUBE-VENT SHAFT
7	119023	1	CAP-VENT SHAFT
8	119026	1	DISC-INLET
9	119045	1	SEAL-INLET
10	-	1	WASHER-THRUST 3.312 x 1.255 x 0.063
11	-	1	U-CUP SEAL 84050125
12	-	1	BEARING 1.250 x 1.408 x 0.750
13	106308	1	O RING 048
14	C2-2.1	1	CAPSCR-HEX 0.25-28 x 0.38
15	119117	1	RETAINER-VENT SEAL
16	119104	1	SEAL-VENT
17	119116	1	WASHER-RETAINER
18	-	3	WAVE-SPRING
19	119027	1	PLUG-OUTLET
20	119044	1	SEAL-OUTLET
21	119114	1	RETAINER-OUTLET SEAL
22	119123	1	STEM-OUTLET
23	119115	1	FLANGE-TOP END
24	-	1	RING-RETAINING N5001-100ZD
25	119019	1	WASHER-FL 0.995 x 0.635 x 0.058 STN STL
26	-	1	U-CUP SEAL 840400625
29	-	1	BEARING 0.623 x 0.719 x 0.750
30	C2-2.1	4	CAPSCR-HEX 0.38-16 x 1.00 STN STL
31	106308	1	O RING 223 FDA
32	119120	1	FLANGE-VENT
35	119106	1	TAG-FM GAS
36	119107	4	RIVET-Ø U-DRIVE 0.19 CS

NOTES:
 1. DRILL (4) HOLES TO DEPTH SHOWN ON RAISED PAD. ATTACH ITEM 35 WITH (4) ITEM 36.
 2. RECOMMENDED SPARE PARTS.

ECN# 16510

THIS DOCUMENT IS THE SOLE PROPERTY OF ITT INDUSTRIES, INC., OR ITS SUBSIDIARY, AND IS PROVIDED SUBJECT TO RETURN. IT IS ISSUED IN STRICT CONFIDENCE AND SHALL NOT BE REPRODUCED, OR COPIED, OR DISCLOSED IN WHOLE OR IN PART, OR USED AS THE BASIS FOR THE MANUFACTURE OR SALES OF APPARATUS OR PARTS TO WHICH THE DOCUMENT RELATES, WITHOUT THE EXPRESS WRITTEN CONSENT OF ITT INDUSTRIES, INC., OR ITS SUBSIDIARY. THIS LEGEND SHALL BE MARKED ON ANY REPRODUCTION HEREOF, IN WHOLE OR IN PART. ALL RIGHTS TO THE INFORMATION AND DESIGN DISCLOSED HEREIN ARE RESERVED TO ITT INDUSTRIES, INC., OR ITS SUBSIDIARY.

UNLESS OTHERWISE SPECIFIED, ALL DIMENSIONS IN BRACKETS ARE MILLIMETERS. PATTERN NO. -

THIRD ANGLE PROJECTION	UNLESS OTHERWISE SPECIFIED, ALL DIMENSIONS ARE IN INCHES	RETURNS	SCALE	INLET VALVE ASSY
		DATE	63:100	SCOTCH IGNITER
		BY		T4200C
		CHKD		
		APP'D		
		DATE		

IT Industries
 Engineered Valves
 Lancaster, PA USA

FILE NUMBER: D 119024
 SHEET: 1 OF 1
 REV: A