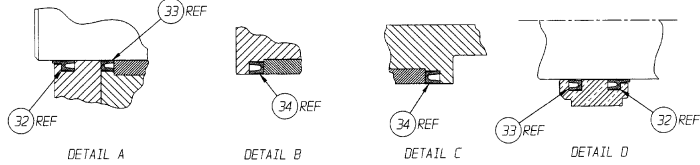
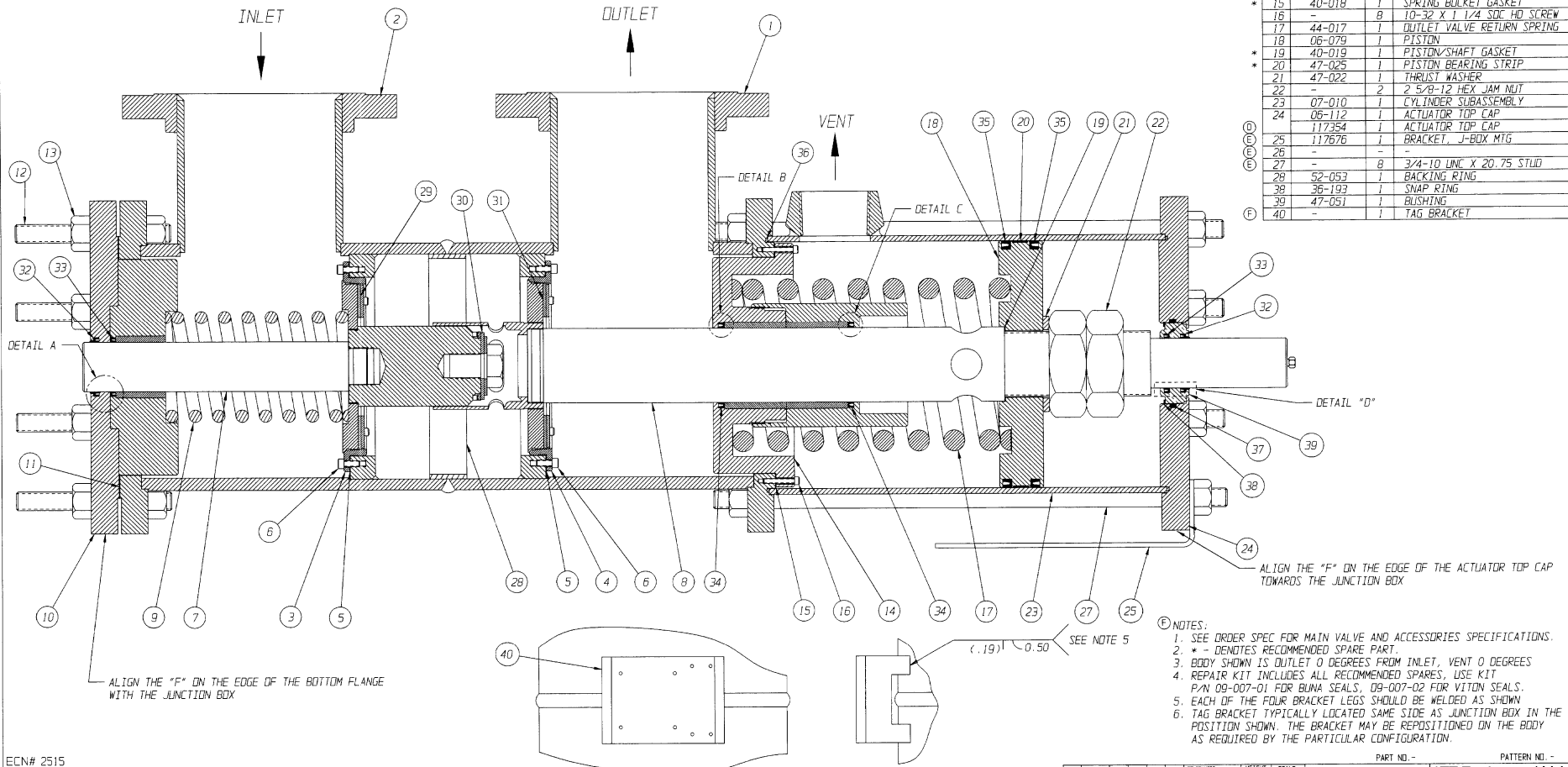


SEAL ORIENTATION DETAILS



LIST OF PARTS			
ITEM	QTY.	ASSEMBLY NO.	DESCRIPTION
--	--	03-010-01	03-010-02
--	--	PART NO. (BUNA)	PART NO. (VITON)
*	29	41-047-01	41-047-02 VALVE SEAL
*	30	41-048-01	41-048-02 VENT SEAL
*	31	41-047-01	41-047-02 VALVE SEAL
*	32	41-050-01	41-050-02 SHAFT WIPER
*	33	41-049-01	41-049-02 SHAFT SEAL
*	34	41-051-01	41-051-02 VENT SHAFT SEAL
*	35	41-053-01	41-053-02 PISTON SEAL
*	36	41-052-01	41-052-02 CYLINDER SEAL
*	37	41-077	41-078 O-RING

LIST OF PARTS			
ITEM	DWG. NO.	QTY.	DESCRIPTION
1	02-051	1	BODY-TOP HALF SUBASSEMBLY
2	02-050	1	BODY-BOTTOM HALF SUBASSEMBLY
3	01-143	1	INLET SEAT RING
4	01-144	1	OUTLET SEAT RING
* 5	40-017	2	SEAT RING GASKET
6	-	48	0.25-20 X .625 HEX HD SCREW
7	02-039	1	INLET VALVE SUBASSEMBLY
8	02-043	1	OUTLET VALVE SUBASSEMBLY
9	44-016	1	INLET VALVE RETURN SPRING
10	02-033	1	BOTTOM FLANGE SUBASSEMBLY
* 11	40-016	1	BOTTOM FLANGE GASKET
12	-	8	3/4-10 UNC X 6 1/4 STUD
13	-	32	3/4-10 HEX NUT
14	02-042	1	SPRING BUCKET SUBASSEMBLY
15	40-018	1	SPRING BUCKET GASKET
16	-	8	10-32 X 1 1/4 SDC HD SCREW
17	44-017	1	OUTLET VALVE RETURN SPRING
18	06-079	1	PISTON
19	40-019	1	PISTON/SHAFT GASKET
* 20	47-025	1	PISTON BEARING STRIP
21	47-022	1	THRUST WASHER
22	-	2	2 5/8-12 HEX JAM NUT
23	07-010	1	CYLINDER SUBASSEMBLY
24	06-112	1	ACTUATOR TOP CAP
25	117354	1	ACTUATOR TOP CAP
26	-	-	BRACKET, J-BOX MTG
27	-	8	3/4-10 UNC X 20.75 STUD
28	52-053	1	BACKING RING
29	36-193	1	SNAP RING
39	47-051	1	BUSHING
40	-	1	TAG BRACKET



- NOTES:
- SEE ORDER SPEC FOR MAIN VALVE AND ACCESSORIES SPECIFICATIONS.
  - \* - DENOTES RECOMMENDED SPARE PART.
  - BODY SHOWN IS OUTLET 0 DEGREES FROM INLET, VENT 0 DEGREES
  - REPAIR KIT INCLUDES ALL RECOMMENDED SPARES, USE KIT P/N 09-007-01 FOR BUNA SEALS, 09-007-02 FOR VITON SEALS.
  - EACH OF THE FOUR BRACKET LEGS SHOULD BE WELDED AS SHOWN
  - TAG BRACKET TYPICALLY LOCATED SAME SIDE AS JUNCTION BOX IN THE POSITION SHOWN. THE BRACKET MAY BE REPOSITIONED ON THE BODY AS REQUIRED BY THE PARTICULAR CONFIGURATION.

ECN# 2515

THIS DOCUMENT IS THE PROPERTY OF ITT ENGINEERED VALVES AND IS LOANED SUBJECT TO RETURN. IT IS ISSUED IN STRICT CONFIDENCE AND SHALL NOT BE REPRODUCED, OR COPIED, OR DISCLOSED IN WHOLE OR IN PART, OR USED AS THE BASIS FOR THE MANUFACTURE OR SALES OF APPARATUS WITHOUT THE EXPRESS WRITTEN CONSENT OF ITT ENGINEERED VALVES.

Ⓢ TAG BRACKET WELDING DETAIL SEE NOTE 6

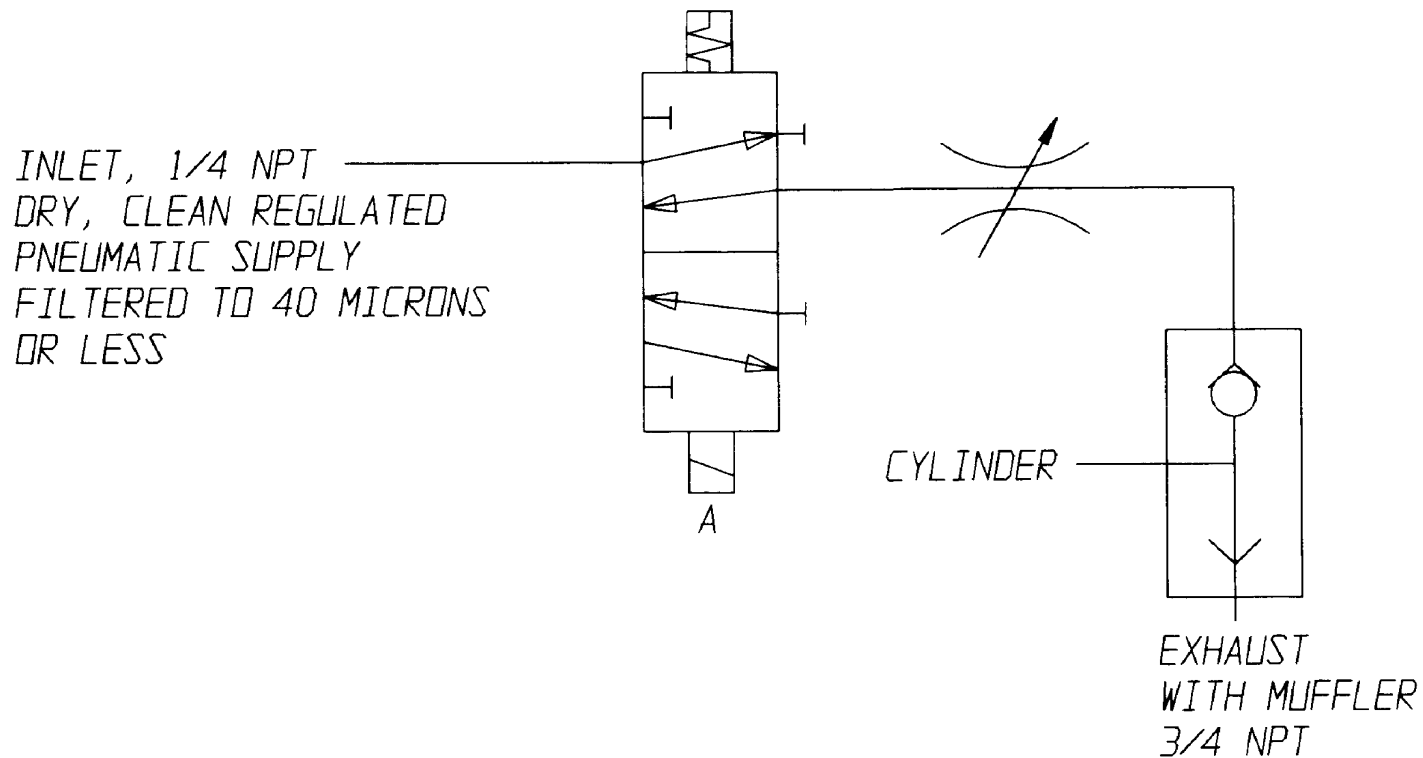
PART NO. -		PATTERN NO. -	
1	02-051	1	02-051
2	02-050	1	02-050
3	01-143	1	01-143
4	01-144	1	01-144
5	40-017	2	40-017
6	-	48	0.25-20 X .625 HEX HD SCREW
7	02-039	1	02-039
8	02-043	1	02-043
9	44-016	1	44-016
10	02-033	1	02-033
11	40-016	1	40-016
12	-	8	3/4-10 UNC X 6 1/4 STUD
13	-	32	3/4-10 HEX NUT
14	02-042	1	02-042
15	40-018	1	40-018
16	-	8	10-32 X 1 1/4 SDC HD SCREW
17	44-017	1	44-017
18	06-079	1	06-079
19	40-019	1	40-019
20	47-025	1	47-025
21	47-022	1	47-022
22	-	2	2 5/8-12 HEX JAM NUT
23	07-010	1	07-010
24	06-112	1	06-112
25	117354	1	117354
26	-	-	-
27	-	8	3/4-10 UNC X 20.75 STUD
28	52-053	1	52-053
29	36-193	1	36-193
39	47-051	1	47-051
40	-	1	-

REV F





THIS DOCUMENT IS THE PROPERTY OF ITT ENGINEERED VALVES AND IS LOANED SUBJECT TO RETURN. IT IS ISSUED IN STRICT CONFIDENCE AND SHALL NOT BE REPRODUCED, OR COPIED, OR DISCLOSED IN WHOLE OR IN PART, OR USED AS THE BASIS FOR THE MANUFACTURE OR SALES OF APPARATUS WITHOUT THE EXPRESS WRITTEN CONSENT OF ITT ENGINEERED VALVES.



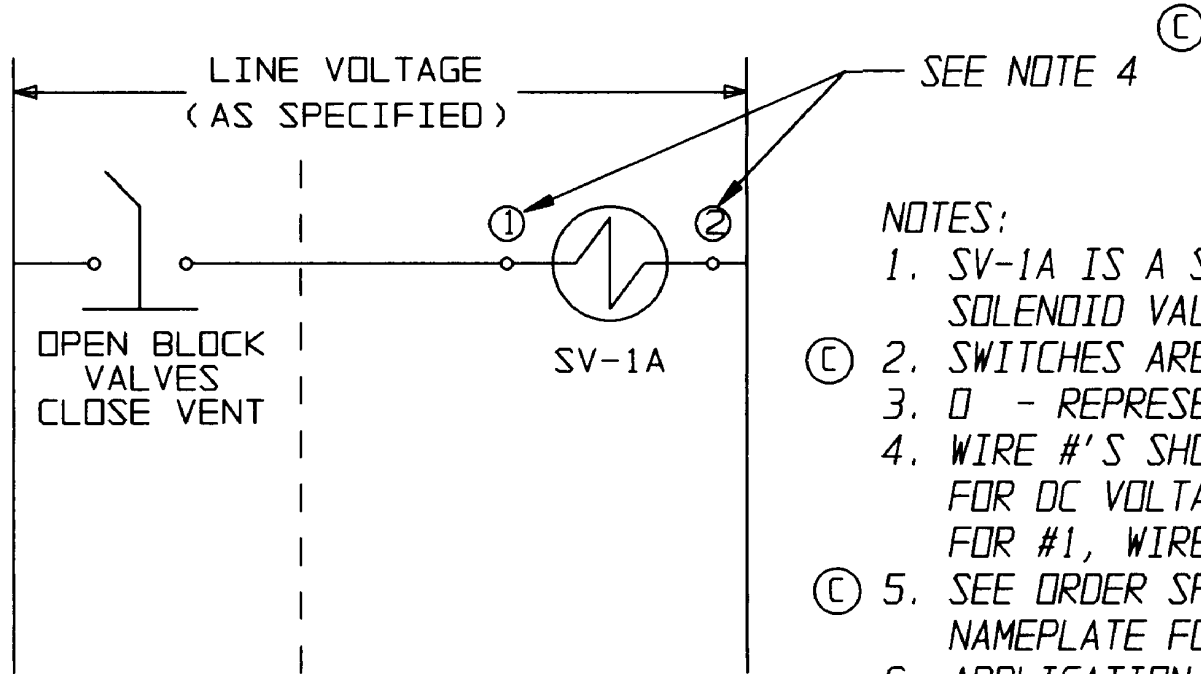
ECN#2515

PART NO. -

PATTERN NO. -

<p>TOLERANCES EXCEPT AS NOTED DECIMALS          .XX ± .02          .XXX ± .005          ANGLES ±0.50°          REMOVE ALL BURRS AND SHARP EDGES          ALL MACHINED SURFACES TO BE 125 ✓ EXCEPT AS NOTED</p>	WEIGHT	SCALE	<p>PNEUMATIC SUPPLY GAS BURNER VALVE          T4200 - T4600          VERSA SINGLE COIL          -          SUPERSEDES:-</p>	<p><b>ITT Engineered Valves</b>          ITT Fluid Technology Corporation          Lancaster, Pa          SHEET 1 OF 1</p>	
	-	NTS			
	DATE	BY			
	DWN 10/28/97	JDN			
CHKO 10/24/97	MJC		SIZE	DRAWING NUMBER	REV
APVD 10/29/97	MJC		A	117473	-

THIS DOCUMENT IS THE PROPERTY OF ITT ENGINEERED VALVES AND IS LOANED SUBJECT TO RETURN. IT IS ISSUED IN STRICT CONFIDENCE AND SHALL NOT BE REPRODUCED, OR COPIED, OR DISCLOSED IN WHOLE OR IN PART, OR USED AS THE BASIS FOR THE MANUFACTURE OR SALES OF APPARATUS WITHOUT THE EXPRESS WRITTEN CONSENT OF ITT ENGINEERED VALVES.



NOTES:

1. SV-1A IS A SINGLE COIL SPRING RTN SOLENOID VALVE CONTROLLING GAS FLOW.
2. SWITCHES ARE MAINTAINED CONTACT TYPE.
3. 0 - REPRESENTS A WIRE NUMBER.
4. WIRE #'S SHOWN ARE FOR AC SOLENOIDS. FOR DC VOLTAGE, SUBSTITUTE WIRE #18 FOR #1, WIRE #19 FOR #2.
5. SEE ORDER SPECIFICATION OR SOLENOID NAMEPLATE FOR SOLENOID VOLTAGE RATING.
6. APPLICATION - ALL T4x06 SYSTEMS ("x" DENOTES LINE SIZE).

BY CUSTOMER

Ⓢ

THIS IS A FACTORY MUTUAL CONTROLLED DOCUMENT. CHANGES MUST BE APPROVED BY FM PRIOR TO IMPLEMENTING.

FILE COPY

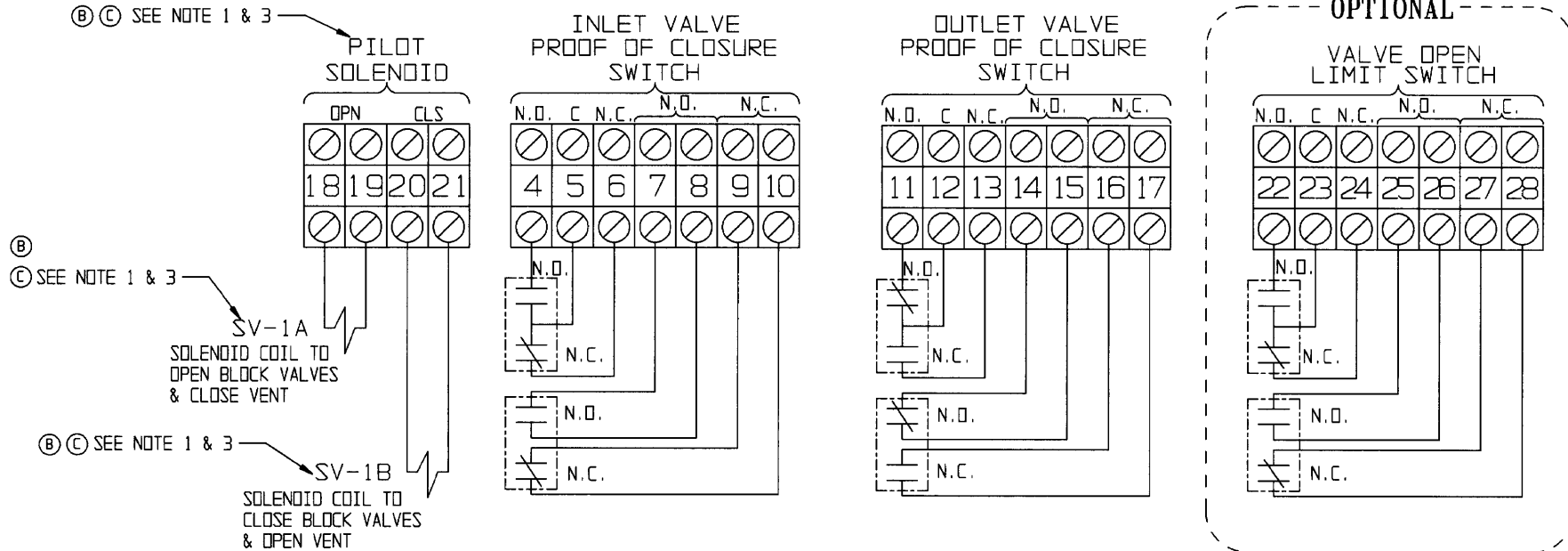
WR# -

PART NO. -

PATTERN NO. -

-	-	-	-	-	-	TOLERANCES EXCEPT AS NOTED DECIMALS .XX ± .02 .XXX ± .005 ANGLES ±0°-30' REMOVE ALL BURRS AND SHARP EDGES ALL MACHINED SURFACES TO BE 125/ EXCEPT AS NOTED	WEIGHT	SCALE	ELECTRIC SCHEMATIC GAS BURNER VALVE PNEUMATIC - FAIL CLOSED	<b>Engineered Valves</b> ITT Fluid Technology Corporation Lancaster, Pa SHEET 1 OF 1		
-	-	-	-	-	-		DATE	BY			A 60-022 REV C	
C	10/1/94	1002	JRB	MP	MP		DWN	1/89				GCS
B	10/90	-	JRB	-	-		CHKD	1/89				JRB
A	1/89	-	JRB	-	-	APVD			SUPERSEDES:-			
REV	DATE	ECN NBR	BY	CHKD	APVD							

© SEE NOTE 6



SWITCH LOGIC ©

SWITCH TYPE	INLET VALVE P.O.C. SWITCH				OUTLET VALVE P.O.C. SWITCH				VALVE OPEN LIMIT SWITCH			
TERMINALS	4-5	5-6	7-8*	9-10*	11-12	12-13	14-15*	16-17*	22-23	23-24	25-26*	27-28*
BLOCK VALVES CLOSED VENT OPEN	-		-			-		-	-		-	
BLOCK VALVES OPEN VENT CLOSED		-		-	-		-			-		-

② THESE TERMINALS ONLY PROVIDED ON ORDERS SUPPLIED © WITH DPDT SWITCH CONTACT CONFIGURATION.

② THIS IS A FACTORY MUTUAL CONTROLLED DOCUMENT. CHANGES MUST BE APPROVED BY FM PRIOR TO IMPLEMENTING.

② ③

- NOTES:
- SOLENOID VOLTAGE IS DC. CONSULT ORDER SPECIFICATION OR SOLENOID NAMEPLATE FOR SOLENOID VOLTAGE RATING.
  - ALL SWITCHES SHOWN WITH BLOCK VALVES IN CLOSED POSITION & VENT OPEN.
  - SV-1A & SV-2A REPRESENT THE MAGNETIC COILS ON THE SOLENOID. FOR FAIL CLOSED VALVES (MODEL 4X06), ONLY SV-1A IS SUPPLIED. THIS IS A MAINTAINED CONTACT SOLENOID. WHEN ENERGIZED THE VALVE OPENS. FAIL-IN-LAST VALVES (MODEL 4X05), SV-2A IS USED IN ADDITION TO SV-1A. THESE REQUIRE MOMENTARY CONTACTS IN THIS APPLICATION. BOTH COILS CANNOT BE ENERGIZED SIMULTANEOUSLY OR DAMAGE WILL OCCUR. "X" IN MODEL NUMBER DENOTES VALVE LINE SIZE.
  - WIRING SHOWN FOR DPDT SWITCHES. FOR SPOT DELETE WIRE NUMBERS 7,8,9,10,14,15,16,17,25,26,27 AND 28. SEE ORDER SPECIFICATION FOR TYPE AND RATING.
  - APPLICABILITY - ALL T4000 SYSTEMS WITH DC SOLENOIDS.
  - NOT NORMALLY SUPPLIED.

WR# -

THIS DOCUMENT IS THE PROPERTY OF ITT ENGINEERED VALVES AND IS LOANED SUBJECT TO RETURN. IT IS ISSUED IN STRICT CONFIDENCE AND SHALL NOT BE REPRODUCED, OR COPIED OR DISCLOSED IN WHOLE OR IN PART, OR USED AS THE BASIS FOR THE MANUFACTURE OR SALES OF APPARATUS WITHOUT THE EXPRESS WRITTEN CONSENT OF ITT ENGINEERED VALVES.

- - - -				- - - -				- - - -				- - - -				TOLERANCES EXCEPT AS NOTED DECIMALS ± .02 .XXX ± .005 ANGLES ± .50° REMOVE ALL BURRS AND SHARP EDGES ALL MACHINED SURFACES TO BE 125 EXCEPT AS NOTED				WEIGHT -		SCALE -		WIRING DIAGRAM GAS BURNER VALVE PNEUMATIC - DC SOLENOIDS				 ITT Fluid Technology Corporation Lancaster, Pa SHEET 1 OF 1					
C 10/13/95				JRB MJD MJD				JRB - -				JRB - -				OWN 01/89				DATE BY		GCS -				SIZE DRAWING NUMBER				REV			
B 10/4/94				1018 JRB MJD MJD				JRB - -				JRB - -				CHKD 01/89				DATE BY		JRB -				60-024				C			
A 10/90				EJLN - -				- -				- -				APVD -				DATE BY		- -				SUPERSEDES: -				REV			
REV				DATE				BY				CHKD				APVD				DATE BY		- -				SUPERSEDES: -				REV			

FILE COPY