

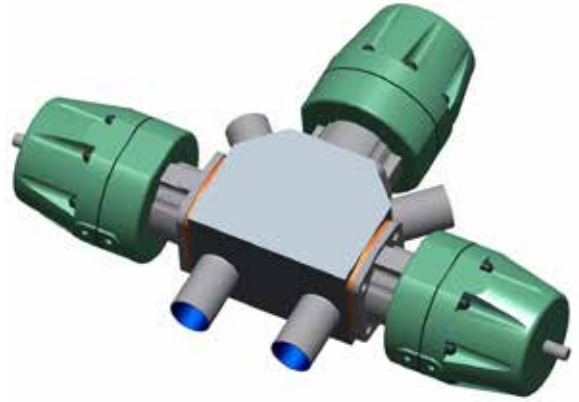


ITT



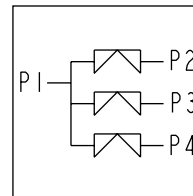
Pure-Flo[®] Horizontal Divert Valve 3-Way (HDV3W)

3-Way Divert valves are instrumental in achieving efficient, cost effective piping design. Divert valves allow process fluids to be diverted, mixed and/or sampled. Divert valves minimize contact surfaces, minimize hold up volume, reduce CIP cycle times, improve product purity, minimize piping dimensional envelope, and reduce number of system weldments. The Horizontal 3-way divert is specifically designed to be drainable in horizontal installations. The HDV3W is ideal for limited vertical space applications such as under process vessels.



Typical Applications

- Divert process flow, mixing flow paths, drain and isolation
- Low vertical space installations



Specifications

Standard Sizes:

- 0.25" - 2" (DN 8 - 50)
- Other sizes available upon request

Materials:

- 316L ASTM - A479
- DIN 177440, 1.4435
- Other materials available upon request

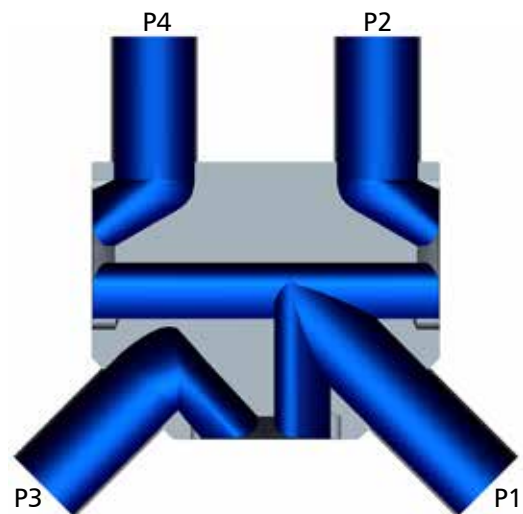
Standard End Connections:

- 14, 16, 18, 20 Gauge OD tubing
- DIN/ISO
- Tri-Clover Tri-Clamp[®]

- Others available upon request

Compatible with standard Pure-Flo topworks: See PFTOP for details on available manual bonnets or actuator.

Flow Path



How to Order a Horizontal Divert Valve 3-Way

2" Horizontal Divert Valve 3-Way, wrought stainless steel body, butt weld end, common port (P1) on the right (when facing the weir of the third valve), 25 Ra interior finish, standard exterior finish (Scotch Brite).

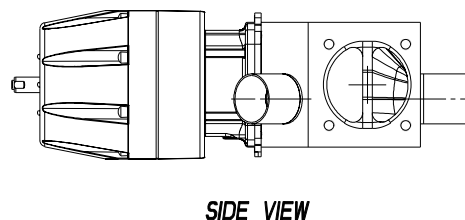
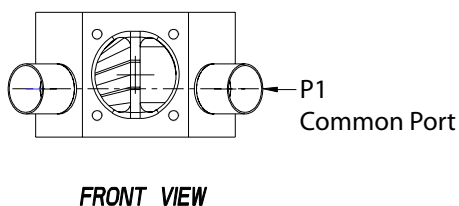
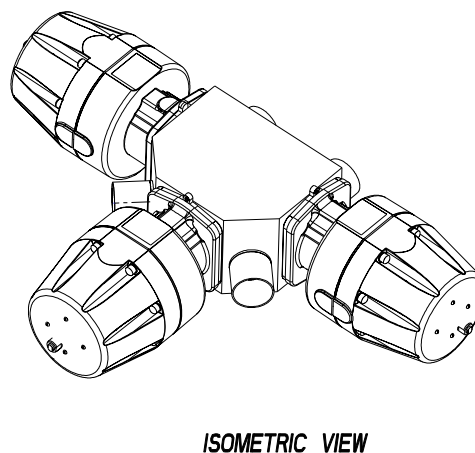
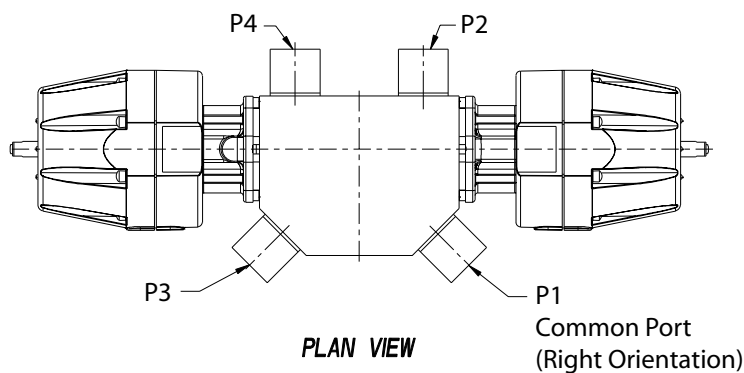
Figure Number: HDV3W-2-428-R-W-6-1-0

Configuration Example		HDV3W	2	428	R	W	6-1-0
Valve Body	Block Type	HDV3W					
	Valve Size		2				
	Type (.5" only) ¹						
	Valve End Connections (P1 - P4) ²			428			
	Valve Orientation ³				R		
	Body Material					W	
	Polish Selections						6-1-0

¹ For .5 inch valve, must specify Pure-Flo (PF) or Bio-Tek (BT).

² Contact the factory for discrete end connection options.

³ This determines which side (right or left) the Common Port (P1) is on when viewing the top (See plan view below). To add topworks, see BBTOP. For additional figure numbers, see PFORD.



ITT Engineered Valves
33 Centerville Road
Lancaster, PA 17603, USA
Tel: +1 (717) 509-2200

Cam-Line, Cam-Tite, Dia-Flo,
EnviZion, Pure-Flo, Skotch

ITT Engineered Valves
1110 Bankhead Avenue
Amory, MS 38821, USA
Tel: +1 (662) 256-7185

Fabri-Valve

ITT Bornemann GmbH
31683 Obernkirchen
Germany
Tel: +49 5724 390-0

EnviZion, Pure-Flo

Please contact ITT Engineered Valves for the latest drawing and dimensional information. The above drawing should only be used as a general reference.