



# ITT



## Pure-Flo® Zero Static Dual Inline (ZDI)

Zero Static use points are some of the most critical valves utilized in the Biopharmaceutical industry. Zero Statics are used extensively on Water for Injection (WFI) and purified water loops. These water loops supply nearly every manufacturing process. Water loop maintenance is typically scheduled for annual shutdowns so as not to affect production. Critical applications or use point locations that require maintenance on a more frequent basis or that would affect a large portion of the plant water loop may require additional valves to isolate the main water loop for maintenance. The Zero Static Dual Inline valve was designed specifically to allow for maintenance of two use points with minimum loop downtime.

### Typical Applications

- Use points where the loop service intervals need to be maximized

### Specifications

Standard Sizes:

- 0.5" - 2" (DN 15 - 50) Valve size
- 0.5" - 4" (DN 15 - 100) Run size
- Other sizes available upon request

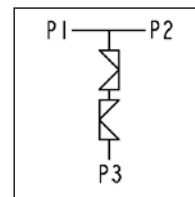
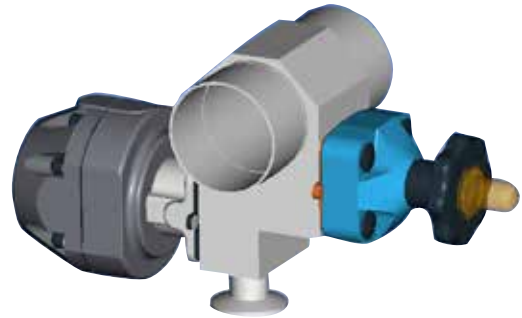
Materials:

- 316L ASTM - A479
- DN 177440, 1.4435
- AL6XN
- Hastelloy C-22 & C-276
- Other materials available upon request

Standard End Connections:

- 14, 16, 18, 20 Gauge OD tubing
- DIN/ISO
- Tri-Clover Tri-Clamp®
- Others available upon request

Compatible with standard Pure-Flo topworks: See PFTOP for details on available manual bonnets or actuator.



### Flow Path



# How to Order a Zero Static Dual Inline

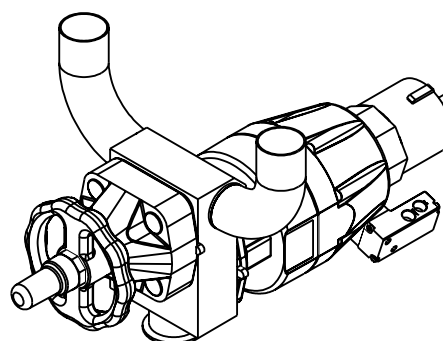
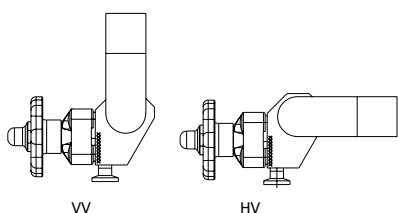
2" Zero Static Dual Inline, wrought stainless steel, U-bend vertical tube, 2" run, with 16 ga buttweld ends, Tri-clamp valve outlet end connection, 25 Ra interior finish, standard exterior finish (Scotch Brite).

Figure Number: ZDI-2-419-2-VV-428-2-W-6-1-0

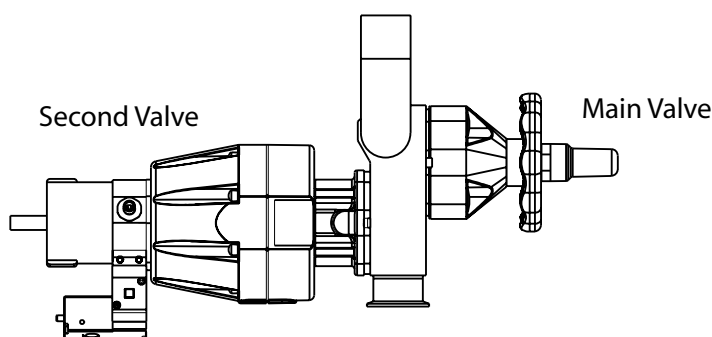
Configuration Example		ZDI	2	419	2	W	428	2	W	6-1-0
Valve Body	Block Type	ZDI								
	Valve Size		2							
	Body End Connection (P3)			419						
	Zerostatic Tube Size				2					
	U-Bend Orientation <sup>1</sup>					W				
	Zerostatic Tube End Connections (P1, P2)						428			
	Second Valve Size							2		
	Body Material								W	
	Polish Selections									6-1-0

<sup>1</sup> For a U-Bend Vertical Tube, enter VV. For Horizontal Tube, enter HV. See drawings below for vertical tube and horizontal tube examples.

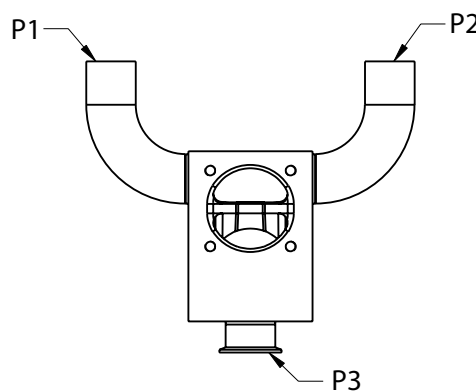
To add topworks, see BBTOP. For additional figure numbers, see PFORD.



ISOMETRIC VIEW



SIDE VIEW



FRONT VIEW



ITT Engineered Valves  
33 Centerville Road  
Lancaster, PA 17603, USA  
Tel: +1 (717) 509-2200

Cam-Line, Cam-Tite, Dia-Flo,  
EnviZion, Pure-Flo, Skotch

ITT Engineered Valves  
1110 Bankhead Avenue  
Amory, MS 38821, USA  
Tel: +1 (662) 256-7185

Fabri-Valve

ITT Bornemann GmbH  
31683 Obernkirchen  
Germany  
Tel: +49 5724 390-0

EnviZion, Pure-Flo

Please contact  
ITT Engineered  
Valves for the  
latest drawing  
and dimensional  
information. The  
above drawing  
should only be  
used as a general  
reference.