



ITT



Pure-Flo® Zero Static Block Body with Body U-Bend (ZSBBV & ZSBBHV)

Zero Static use points are some of the most critical valves utilized in the Biopharmaceutical industry. Use point valves allow process fluids to be transferred, sampled, drained or diverted with minimal impact on critical systems such as WFI and purified water.

Typical Applications

- Point-of-use valves
- Piping branch valves

Specifications

Standard Sizes:

- 0.25" - 2" (DN 8 - 50) Valve size
- 0.5" - 4" (DN 15 - 100) Run size
- Other sizes available upon request

Materials:

- 316L ASTM - A479
- DN 177440, 1.4435
- AL6XN
- Hastelloy C-22 & C-276
- Other materials available upon request

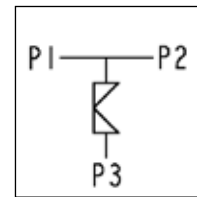
Standard End Connections:

- 14, 16, 18, 20 Gauge OD tubing
- DIN/ISO
- Tri-Clover Tri-Clamp®
- Others available upon request

Available with Zero Static Tee on U-Bend

Compatible with standard Pure-Flo topworks:

See PFTOP for details on available manual bonnets or actuator.



Flow Path



How to Order a Zero Static Block Body U-bend

.5" Zero Static Block, wrought stainless steel, 2" U-bend vertical tube, all three outlets have tri-clamp ends, 25 Ra interior finish, standard exterior finish (Scotch Brite), both interior and exterior electropolish.

Figure Number: ZSBBVV-.5-W-419-2-X19-6-1-3

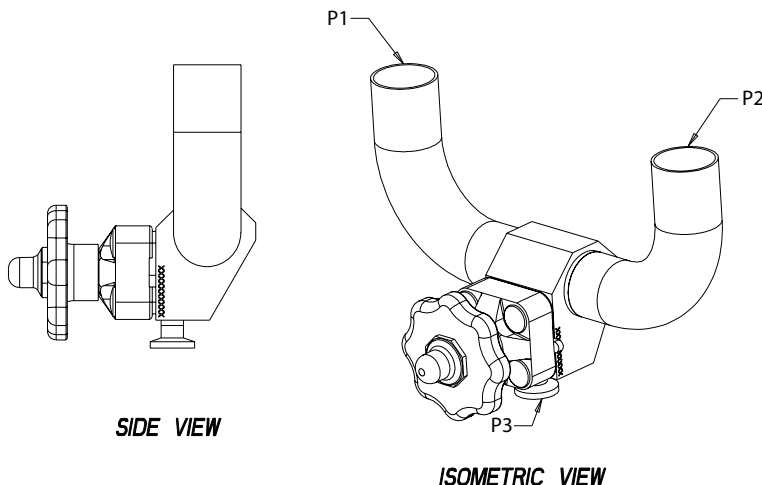
Configuration Example		ZSBBVV	.5	W	419	2	X19		6-1-3
Valve Body	Block Type ¹	ZSBBVV							
	Valve Size		.5						
	Body Type ²			W					
	Connection (P1)				419				
	Zerostatic Tube Size					2			
	Zerostatic Tube End Connection (P1,P2 or P1)						X19		
	Zerostatic Tube Second End Connection (P2)								
	Polish Selections								6-1-3

¹ZSBBVV for vertical tube, vertical valve. ZSBBHV for horizontal tube, vertical valve. See drawings below for vertical tube and horizontal tube examples.

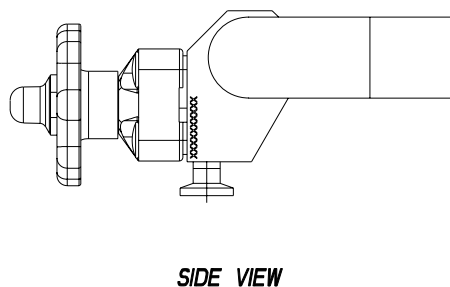
²For Bio-Tek BW is used.

³Second end connection can be provided if end connections are different. To add topworks, see BBTOP. For additional figure numbers, see PFORD.

ZSBBVV



ZSBBHV



Please contact ITT Engineered Valves for the latest drawing and dimensional information. The above drawing should only be used as a general reference.

ITT Engineered Valves
33 Centerville Road
Lancaster, PA 17603, USA
Tel: +1 (717) 509-2200

ITT Engineered Valves
1110 Bankhead Avenue
Amory, MS 38821, USA
Tel: +1 (662) 256-7185

ITT Bornemann GmbH
31683 Obernkirchen
Germany
Tel: +49 5724 390-0

Cam-Line, Cam-Tite, Dia-Flo,
EnviZion, Pure-Flo, Skotch

Fabri-Valve

EnviZion, Pure-Flo