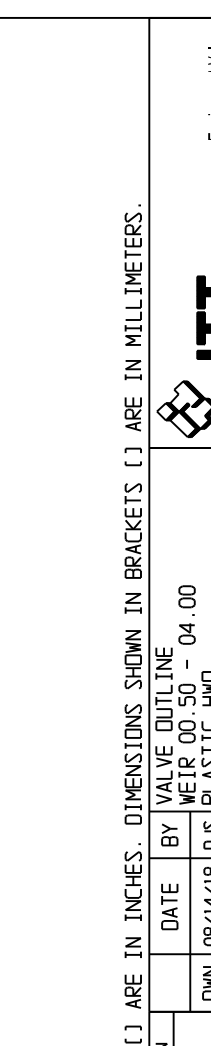
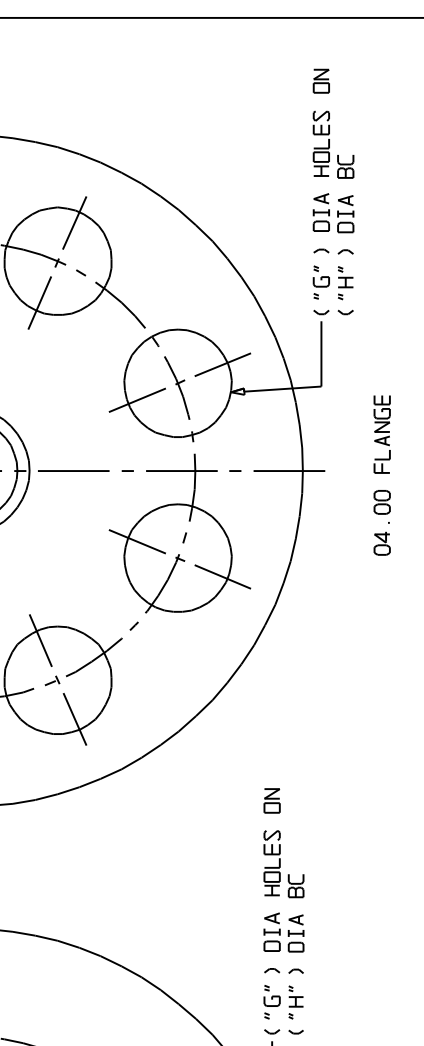
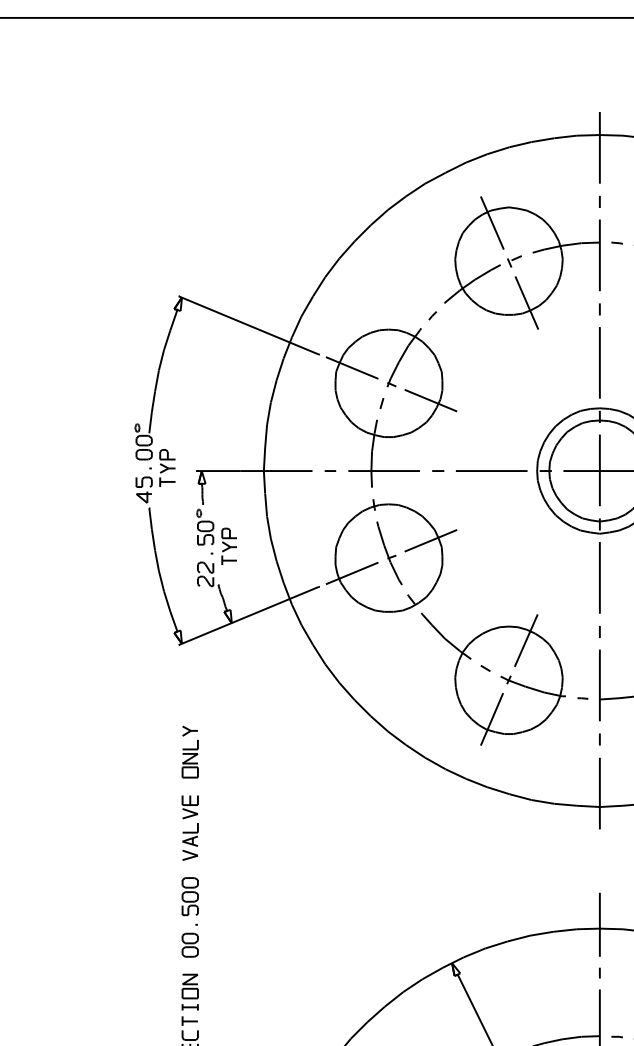
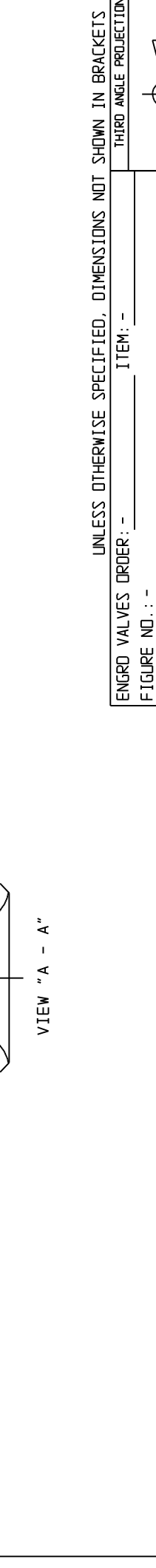
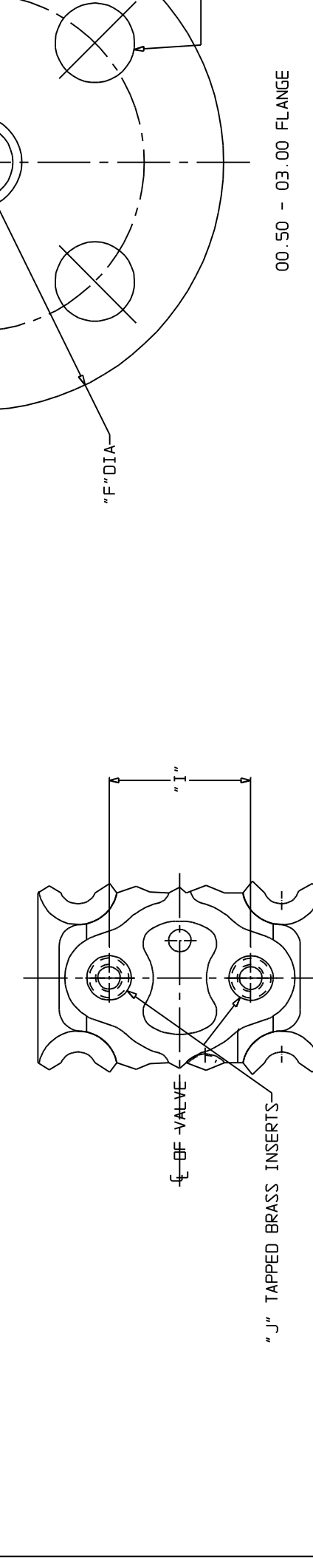
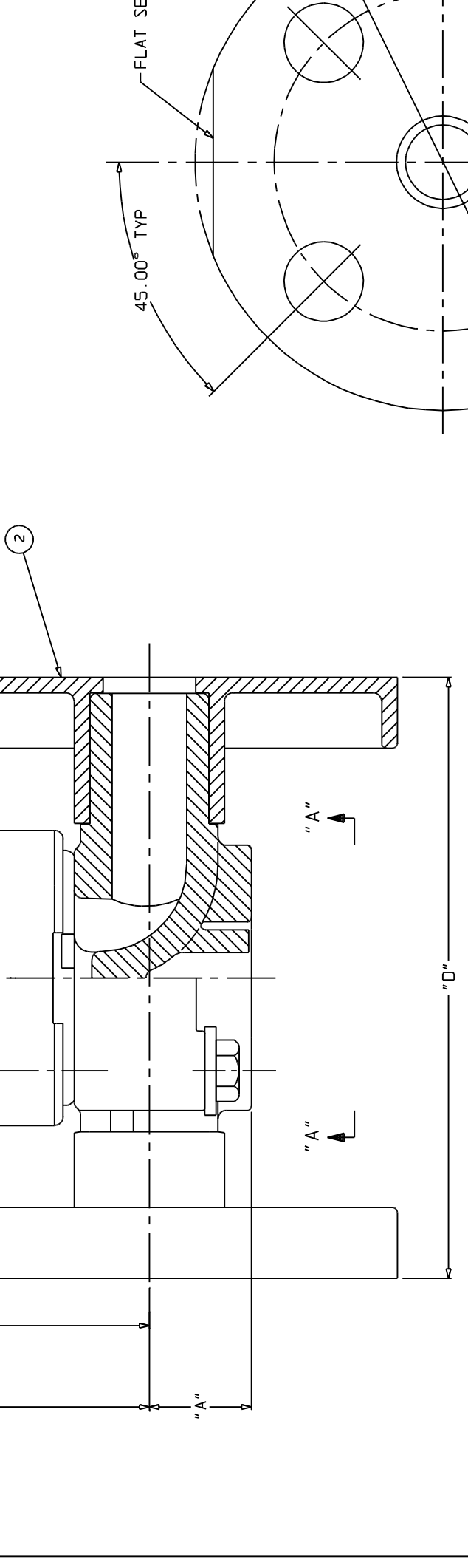


LIST OF PARTS		
ITEM	DESCRIPTION	MATERIAL
1	ASSEMBLY - BONNET	-
2	BODY - FLANGED SOLVENT WELD	-

VALVE SIZE	"A"	"B"	"C"	"D"	"E" DIA	"F" DIA	"G" DIA	"H" DIA	"I"	"J" THREAD
00.50	0.72 [18.3]	4.05 [102.9]	3.15 [80.0]	4.37 [111.0] 4.13 [104.9]	3.00 [76.2]	3.50 [88.9] 3.88 [98.9] 4.25 [108.0]	0.56 [14.2]	2.38 [60.5] 2.75 [69.9] 3.12 [79.2]	1.00 [25.4]	10-32UNF X .394 DP.
00.75	0.81 [20.6]	4.87 [123.7]	3.70 [94.0]	5.87 [149.1] 5.63 [143.0]	3.00 [76.2]	3.88 [98.9] 4.25 [108.0]	0.56 [14.2]	2.75 [69.9] 3.12 [79.2]	1.00 [25.4]	10-32UNF X .394 DP.
01.00	1.02 [25.9]	5.77 [146.6]	4.41 [112.0]	5.63 [143.0]	3.00 [76.2]	4.25 [108.0]	0.56 [14.2]	3.12 [79.2]	1.00 [25.4]	10-32UNF X .394 DP.
01.50	1.34 [34.0]	8.64 [219.5]	5.51 [140.0]	7.00 [177.8] 6.76 [171.7]	5.00 [127.0]	5.00 [127.0]	0.62 [15.7]	3.88 [98.6] 4.75 [120.7]	1.75 [44.5]	1/4-20UNC X .551 DP.
02.00	1.23 [31.2]	9.25 [235.0]	6.12 [155.4]	8.00 [203.2] 7.76 [197.1]	5.50 [139.7]	6.06 [153.9]	0.75 [19.1]	4.75 [120.7]	1.75 [44.5]	1/4-20UNC X .551 DP.
03.00	2.33 [59.2]	12.06 [306.3]	7.95 [201.9]	10.37 [263.4] 10.13 [257.3]	7.75 [196.9]	7.50 [190.5]	0.75 [19.1]	6.00 [152.4] 7.50 [190.5]	3.94 [100.1] 4.75 [120.7]	1/2-13UNC X .945 DP.
04.00	2.81 [71.4]	15.42 [391.7]	10.70 [281.8]	13.00 [330.2] 12.76 [324.1]	10.00 [254.0]	9.06 [230.1]	0.75 [19.1]	7.50 [190.5]	4.75 [120.7]	1/2-13UNC X .945 DP.



VALVE SIZE	"A"	"B"	"C"	"D"	"E" DIA	"F" DIA	"G" DIA	"H" DIA	"I"	"J" THREAD
00.50	0.72 [18.3]	4.05 [102.9]	3.15 [80.0]	4.37 [111.0] 4.13 [104.9]	3.00 [76.2]	3.50 [88.9] 3.88 [98.9] 4.25 [108.0]	0.56 [14.2]	2.38 [60.5] 2.75 [69.9] 3.12 [79.2]	1.00 [25.4]	10-32UNF X .394 DP.
00.75	0.81 [20.6]	4.87 [123.7]	3.70 [94.0]	5.87 [149.1] 5.63 [143.0]	3.00 [76.2]	3.88 [98.9] 4.25 [108.0]	0.56 [14.2]	2.75 [69.9] 3.12 [79.2]	1.00 [25.4]	10-32UNF X .394 DP.
01.00	1.02 [25.9]	5.77 [146.6]	4.41 [112.0]	5.63 [143.0]	3.00 [76.2]	4.25 [108.0]	0.56 [14.2]	3.12 [79.2]	1.00 [25.4]	10-32UNF X .394 DP.
01.50	1.34 [34.0]	8.64 [219.5]	5.51 [140.0]	7.00 [177.8] 6.76 [171.7]	5.00 [127.0]	5.00 [127.0]	0.62 [15.7]	3.88 [98.6] 4.75 [120.7]	1.75 [44.5]	1/4-20UNC X .551 DP.
02.00	1.23 [31.2]	9.25 [235.0]	6.12 [155.4]	8.00 [203.2] 7.76 [197.1]	5.50 [139.7]	6.06 [153.9]	0.75 [19.1]	4.75 [120.7]	1.75 [44.5]	1/4-20UNC X .551 DP.
03.00	2.33 [59.2]	12.06 [306.3]	7.95 [201.9]	10.37 [263.4] 10.13 [257.3]	7.75 [196.9]	7.50 [190.5]	0.75 [19.1]	6.00 [152.4] 7.50 [190.5]	3.94 [100.1] 4.75 [120.7]	1/2-13UNC X .945 DP.
04.00	2.81 [71.4]	15.42 [391.7]	10.70 [281.8]	13.00 [330.2] 12.76 [324.1]	10.00 [254.0]	9.06 [230.1]	0.75 [19.1]	7.50 [190.5]	4.75 [120.7]	1/2-13UNC X .945 DP.



UNLESS OTHERWISE SPECIFIED, DIMENSIONS NOT SHOWN IN BRACKETS [ ] ARE IN INCHES. DIMENSIONS SHOWN IN BRACKETS [ ] ARE IN MILLIMETERS.

ENGRD VALVES ORDER: - ITEM: -

FIGURE NO.: -

CUSTOMER: -

CUSTOMER P.O.: -

THIRD ANGLE PROJECTION

DATE BY VALVE OUTLINE WEIR 00.50 - 04.00

DWN 08/14/18 DJS PLASTIC HWD

CHKD 08/14/18 STD WITH SOLVENT WELD

APVD 08/14/18 STD FLANGED ENDS

ALL DIMENSIONS SHOWN ON THIS DRAWING ARE FOR REFERENCE ONLY

MASTER DWG: 002930-1/1/8 ECN# 16562 ISSUED BY: - CERT BY: -

ITTT  
Engineered Valves  
www.ittingvalves.com

D 000000-000 SHEET 1 OF 1 REV -

CO\_EV\_D 07/20/07