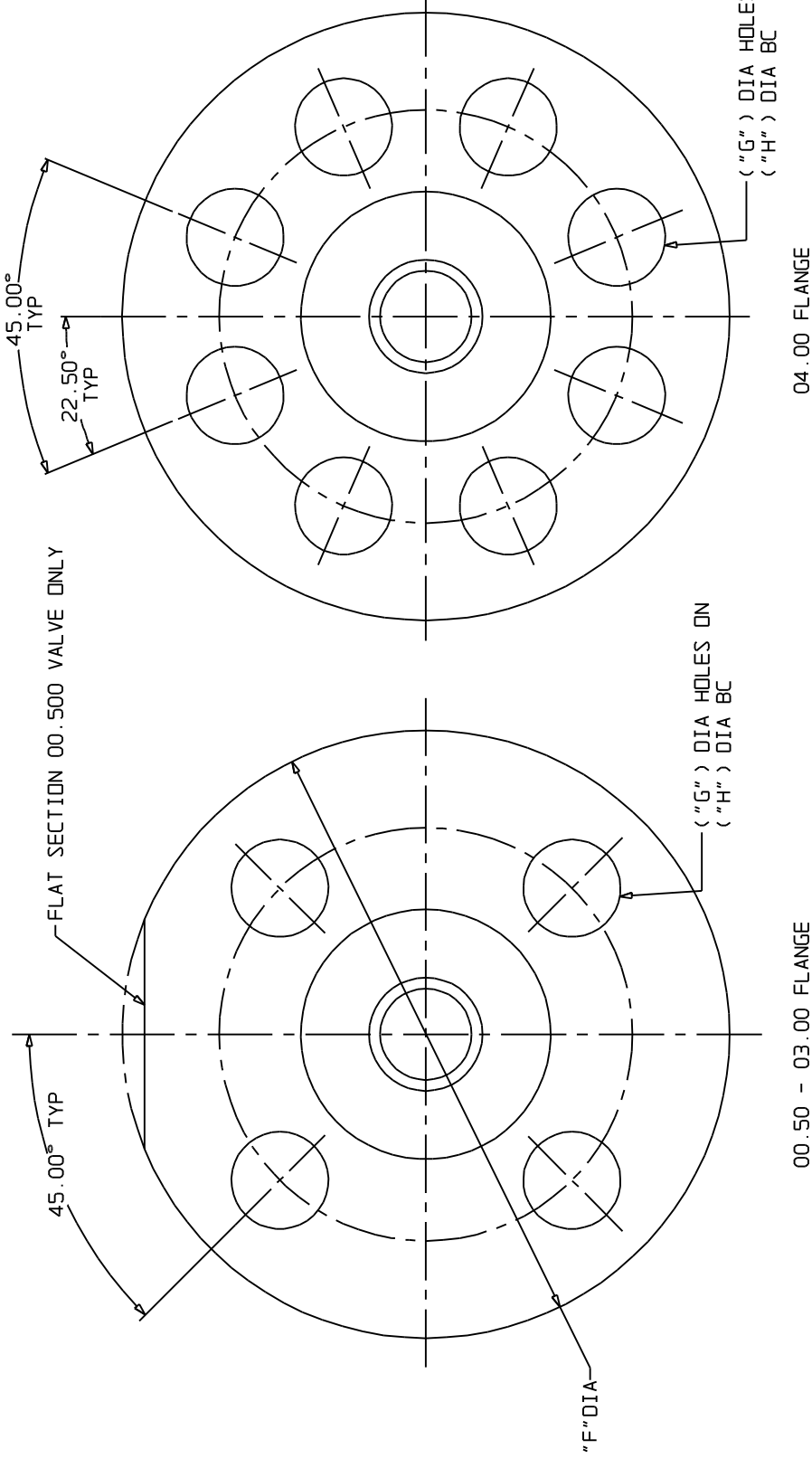
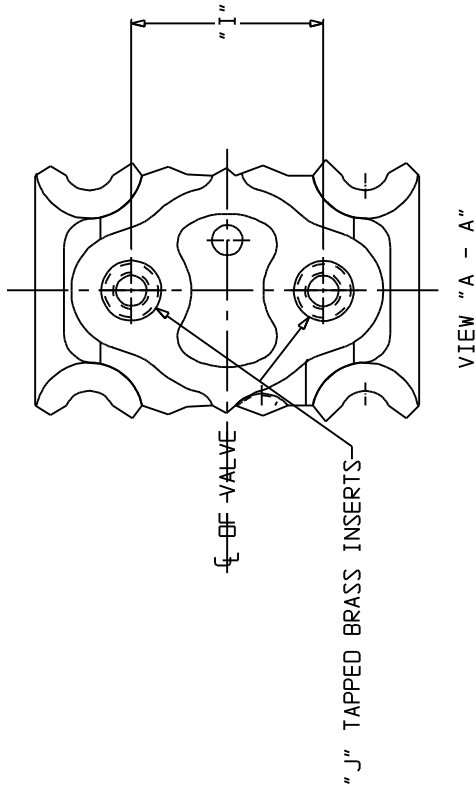
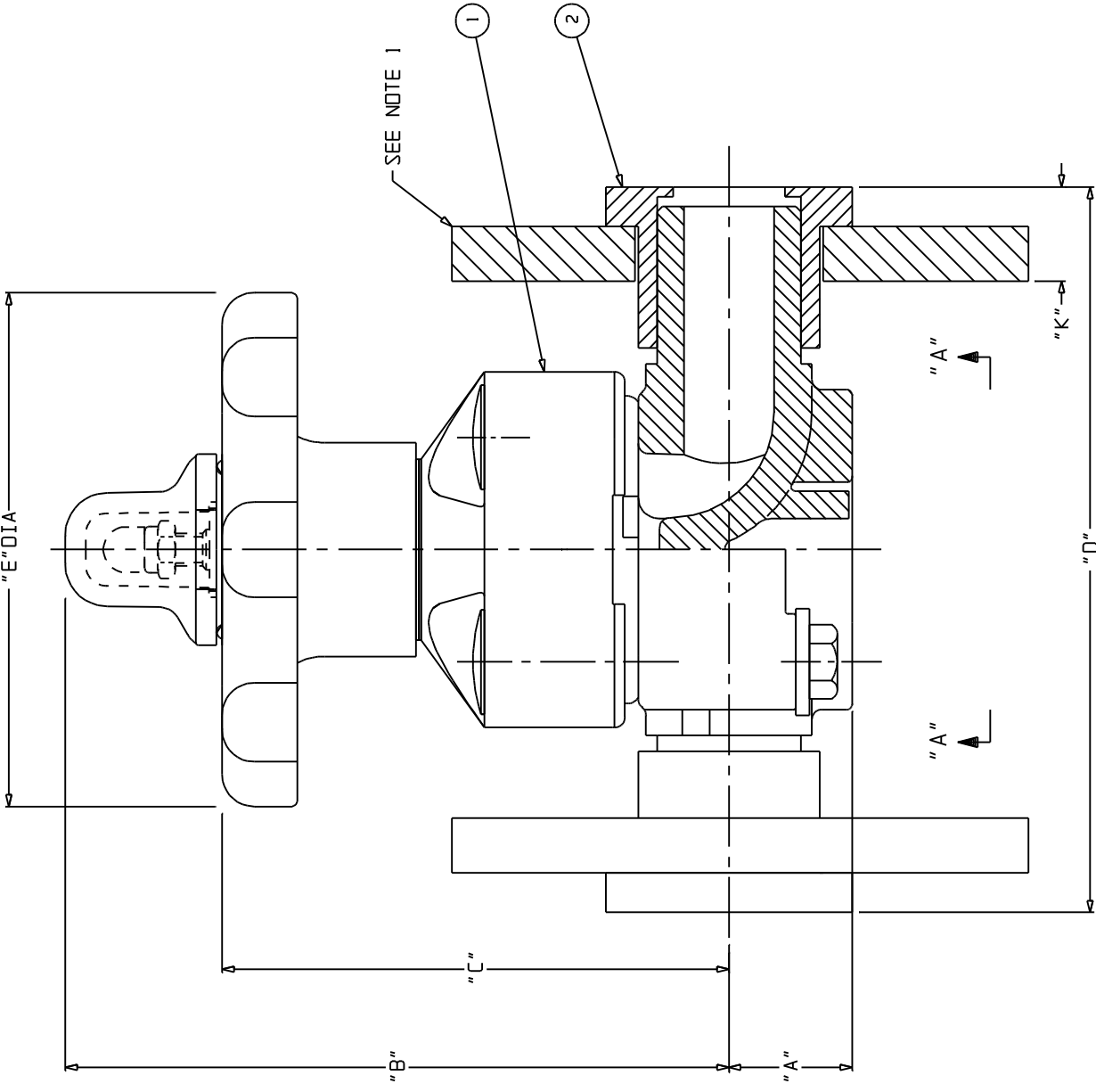


LIST OF PARTS

ITEM	DESCRIPTION	MATERIAL	QTY.
1	ASSEMBLY - BONNET	-	1
2	BODY - FLANGED FUSION WELD	-	1

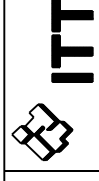
VALVE SIZE	"A"	"B"	"C"	"D"	"E" DIA	"F" DIA	"G" DIA	"H" DIA	"I"	"J" THREAD	"K"
00.50	0.72 [18.3]	4.05 [102.9]	3.15 [80.0]	4.37 [111.0] 4.13 [104.9]	3.00 [76.2]	3.50 [88.9]	0.56 [14.2]	2.38 [60.5]	1.00 [25.4]	10-32UNF X .394 DP.	0.55 [14.0]
00.75	0.81 [20.6]	4.87 [123.7]	3.70 [94.0]	5.87 [149.1] 5.63 [143.0]	3.00 [76.2]	3.88 [98.6]	0.56 [14.2]	2.75 [69.9]	1.00 [25.4]	10-32UNF X .394 DP.	0.59 [15.0]
01.00	1.02 [25.9]	5.77 [146.6]	4.41 [112.0]	5.63 [143.0]	3.00 [76.2]	4.25 [108.0]	0.56 [14.2]	3.12 [79.2]	1.00 [25.4]	10-32UNF X .394 DP.	0.61 [15.5]
01.50	1.34 [34.0]	8.64 [219.5]	5.51 [140.0]	7.00 [177.8] 6.76 [171.7]	5.00 [127.0]	5.00 [127.0]	0.62 [15.7]	3.88 [98.6]	1.75 [44.5]	1/4-20UNC X .551 DP.	0.65 [16.5]
02.00	1.23 [31.2]	9.25 [235.0]	6.12 [155.4]	8.00 [203.2] 7.76 [197.1]	5.50 [139.7]	6.00 [152.4]	0.75 [19.1]	4.75 [120.7]	3.94 [100.1]	1/4-20UNC X .551 DP.	0.77 [19.6]
03.00	2.33 [59.2]	12.05 [306.3]	7.95 [201.9]	10.37 [263.4] 10.13 [257.3]	7.75 [196.9]	7.50 [190.5]	0.75 [19.1]	6.00 [152.4]	3.94 [100.1]	1/2-13UNC X .945 DP.	0.85 [21.6]
04.00	2.81 [71.4]	15.42 [391.7]	10.70 [281.8]	13.00 [330.2] 12.76 [324.1]	10.00 [254.0]	9.00 [228.6]	0.75 [19.1]	7.50 [190.5]	4.75 [120.7]	1/2-13UNC X .945 DP.	0.94 [23.9]



NOTE:
1. FLANGE RING IS CARBON STEEL, PVDF COATED.

UNLESS OTHERWISE SPECIFIED, DIMENSIONS NOT SHOWN IN BRACKETS [] ARE IN INCHES. DIMENSIONS SHOWN IN BRACKETS [] ARE IN MILLIMETERS.

ENGRD VALVES ORDER: -	ITEM: -	DATE	BY	VALVE OUTLINE
FIGURE NO.: -		DWN	08/14/18	WEIR 00.50 - 04.00
CUSTOMER: -		CHKD	08/14/18	PLASTIC HWD
CUSTOMER P.O.: -		APVD	08/14/18	WITH FUSION WELD
				FLANGED ENDS
				THIRD ANGLE PROJECTION
				ALL DIMENSIONS SHOWN ON THIS DRAWING ARE FOR REFERENCE ONLY
				MASTER DWG: 002931-1/1/18 ECN# 16562 ISSUED BY: -
				SHEET 1 OF 1
				REV -



Engineered Valves
www.engvalves.com