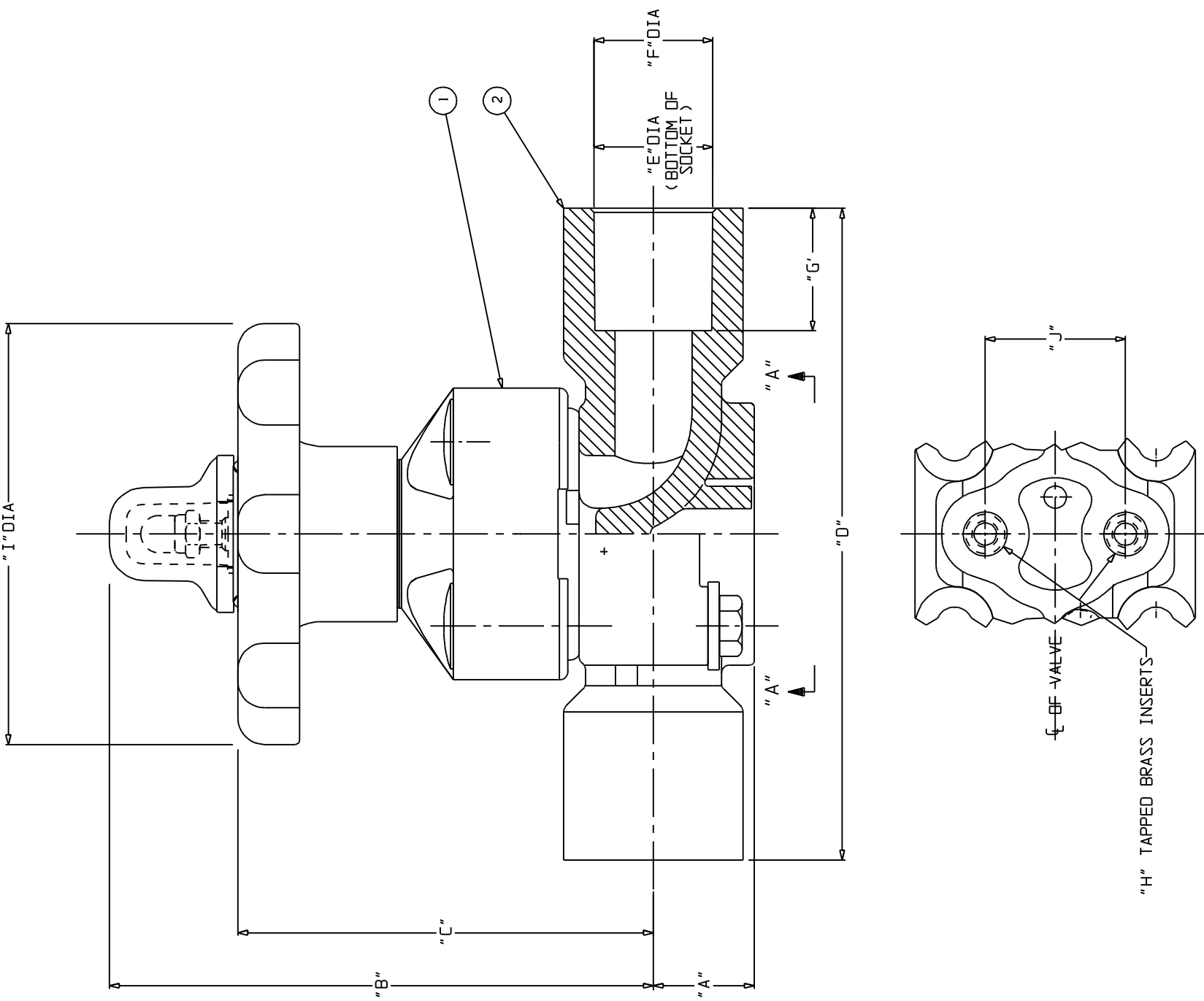


LIST OF PARTS

| ITEM | DESCRIPTION          | MATERIAL | QTY. |
|------|----------------------|----------|------|
| 1    | ASSEMBLY - BONNET    | -        | 1    |
| 2    | BODY - SOCKET SCH.80 | -        | 1    |



VIEW "A - A"

| VALVE SIZE | "A"            | "B"             | "C"             | "D"             | "E"             | "F"             | "G"            | "H"             | "I" DIA | "J"            | "H" THREAD           |
|------------|----------------|-----------------|-----------------|-----------------|-----------------|-----------------|----------------|-----------------|---------|----------------|----------------------|
| 00.50      | 0.72<br>[18.3] | 4.05<br>[102.9] | 3.15<br>[80.0]  | 4.65<br>[118.1] | 0.836<br>[21.2] | 0.848<br>[21.5] | 0.88<br>[22.4] |                 |         |                |                      |
| 00.75      | 0.81<br>[20.6] | 4.87<br>[123.7] | 3.70<br>[94.0]  | 5.51<br>[140.0] | 1.046<br>[26.6] | 1.058<br>[26.9] | 1.00<br>[25.4] | 3.00<br>[76.2]  |         | 1.00<br>[25.4] | 10-32UNF X .394 DP.  |
| 01.00      | 1.02<br>[25.9] | 5.77<br>[146.6] | 4.41<br>[112.0] | 6.34<br>[161.0] | 1.310<br>[33.3] | 1.325<br>[33.7] | 1.12<br>[28.4] |                 |         |                |                      |
| 01.25      | 1.34<br>[34.0] | 8.64<br>[219.5] | 5.51<br>[140.0] | 8.00<br>[203.2] | 1.655<br>[42.0] | 1.670<br>[42.4] | 1.25<br>[31.8] |                 |         |                |                      |
| 01.50      | 1.23<br>[31.2] | 9.25<br>[235.0] | 6.12<br>[155.4] | 8.94<br>[227.1] | 1.894<br>[48.1] | 1.912<br>[48.6] | 1.38<br>[35.1] | 5.50<br>[139.7] |         | 1.75<br>[44.5] | 1/4-20UNC X .551 DP. |
| 02.00      |                |                 |                 |                 |                 |                 |                |                 |         |                |                      |

UNLESS OTHERWISE SPECIFIED, DIMENSIONS NOT SHOWN IN BRACKETS ( ) ARE IN INCHES. DIMENSIONS SHOWN IN BRACKETS ( ) ARE IN MILLIMETERS.

|                       |         |
|-----------------------|---------|
| ENGRD VALVES ORDER: - | ITEM: - |
| FIGURE NO.: -         |         |
| CUSTOMER: -           |         |
| CUSTOMER P.O.: -      |         |

|                        |          |
|------------------------|----------|
| THIRD ANGLE PROJECTION |          |
| DWN                    | 08/14/18 |
| CHKD                   | 08/14/18 |
| APVD                   | 08/14/18 |

|          |     |                          |
|----------|-----|--------------------------|
| DATE     | BY  | VALVE OUTLINE            |
| 08/14/18 | DJS | WEIR 00.50 - 02.00       |
| 08/14/18 | STO | PLASTIC HWD              |
| 08/14/18 | STO | WITH SOCKET, SCH 80 ENDS |

|  |              |
|--|--------------|
|  |              |
| Engineered Valves<br>www.engvalves.com |              |
| D                                      | 000000-000   |
| SHEET                                  | 1 OF 1       |
| REV                                    | -            |
| ISSUED BY:                             | -            |
| ECN#                                   | 16562        |
| MASTER DWG:                            | 002933-1/1/C |
| CERT BY:                               | -            |