

"E" TRAVEL

"D" VALVE CLOSED

CL OF BODY

NON-SEALED ADJ TRAVEL TYPE OR SEALED ADJ TRAVEL TYPE

FURNISHED

SEALED INDICATING TYPE

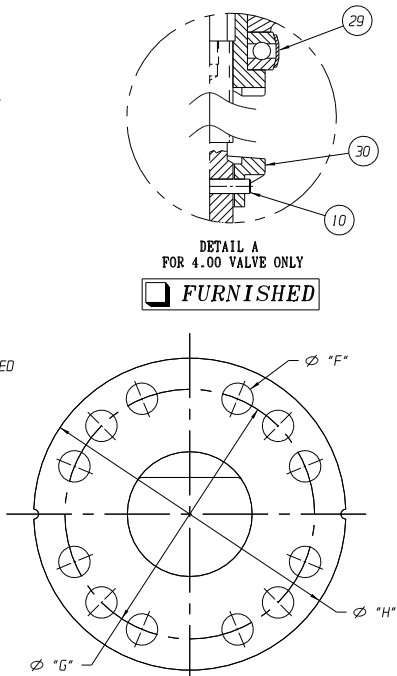
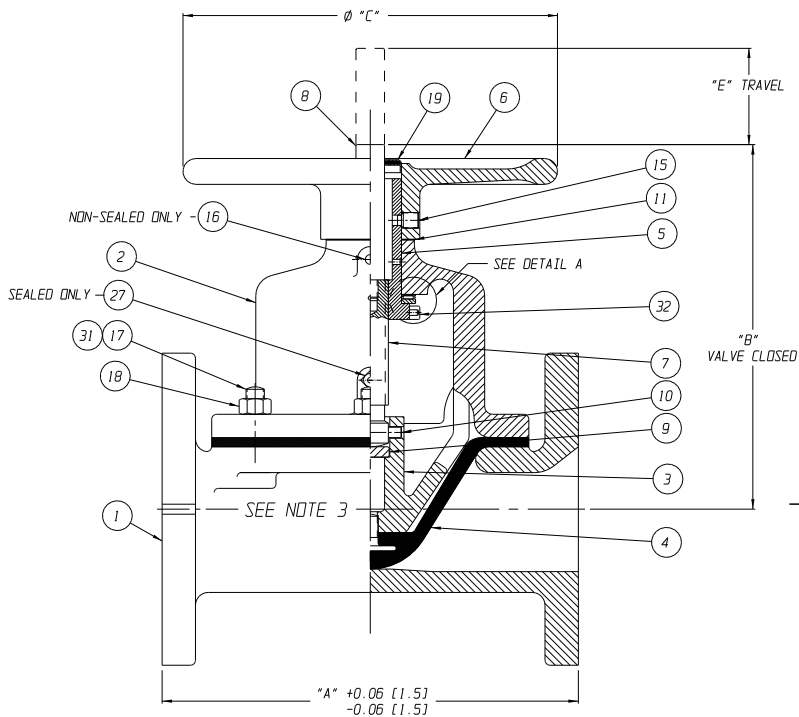
FURNISHED

DETAIL A SCALE 2:1 FOR 2.50 & 3.00 VALVE ONLY

FURNISHED

DETAIL A FOR 4.00 VALVE ONLY

FURNISHED



2.50 - 3.00 FLANGED END DETAIL
4.00 FLANGED END DETAIL

LIST OF PARTS

ITEM	DESCRIPTION	MATERIAL	QTY.
1	BODY - FLANGED	C.I. A-126, CL. B	1
2	BONNET	C.I. A-126, CL. B	1
3	COMPRESSOR	C.I.	1
4	DIAPHRAGM	GR ST	1
5	BUSHING NON-SEALED	BRASS	1
6	HANDWHEEL	C.I. A-48, CL.30	1
7	SPINDLE, VALVE	CAR. STL. A-108, GR. 12L14	1
8	EXTENSION, SPINDLE INDICATING	STN. STL. A-582, TYPE 303	1
9	INSERT	CAR. STL. A-108, GR. 12L14	1
10	PIN SPIROL	STN. STL. TYPE 302	AR
11	WASHER, SHIM	POLYETHYLENE	AR
12	BEARING, THRUST NEEDLE	CAR. STL.	1
13	BEARING, THRUST RACE	CAR. STL.	1
14	WASHER, THRUST	CAR. STL.	1
15	SCREW, SET HEX. SOC.	ALLOY STEEL F-912	2
16	FITTING, LUBE	-	1
17	STUD	CAR. STL. A-307	AR
18	NUT, HEX.	CAR. STL. A-563, GR. A	AR
19	CAPSEAL	BRASS B-36, C26000	1
20	LOCKNUT, HEX.	STN. STL.	1
21	EXTENSION, SPINDLE ADJ. TRAVEL	STN. STL. A-582, TYPE 303	1
22	SPACER	STN. STL. A-582, TYPE 303	1
23	COLLAR, SEAL	BRASS B-16, C36000 H02	1
24	O-RING (SEE TABLE COLUMN "J")	BUNA-N	1
25	BUSHING SEALED	BRASS	1
26	O-RING (SEE TABLE COLUMN "K")	BUNA-N	1
27	PLUG, V-NOTCH VENT 1/8" NPT	STN. STL. TYPE 304	1
28	O-RING (SEE TABLE COLUMN "L")	BUNA-N	1
29	BEARING, THRUST BALL	CAR. STL.	1
30	COLLAR, STOP	C.I. A-126, CL. B	1
31	SCREW, HEX HD CAP	CAR. STL. A-307	4
32	PIN, SPIROL	STN. STL. TYPE 302	1

* RECOMMENDED SPARE PARTS

NOTES:

- ▲ 1. USED WITH 2.50" VALVE ONLY.
- 2. USED WITH 2.50" AND 3.00" ONLY.
- 3. VALVE IS BI-DIRECTIONAL (NO FLOW ARROW).

SIZE	"A"	"B"	"C"	"D"	"E"	"F"	"G"	"H"	"J"	"K"	"L"
02.50	8.50 (215.9)	8.94 (227.1)	9.00 (228.6)	10.13 (257.3)	2.00 (50.8)	0.75 (19.1)	5.50 (139.7)	7.00 (177.8)	115	222	122
03.00	10.00 (254.0)	8.75 (222.3)	9.00 (228.6)	9.94 (252.5)	2.31 (58.7)	0.75 (19.1)	6.00 (157.4)	7.50 (190.5)	115	222	122
04.00	12.50 (317.5)	11.10 (281.9)	10.00 (254.0)	12.35 (313.7)	2.81 (71.4)	0.75 (19.1)	7.50 (190.5)	9.00 (228.6)	116	326	124

ENGRD VALVES ORDER: - ITEM: -
 SHEET - OF -
 FIGURE NO.: -
 CUSTOMER: -
 CUSTOMER P.O.: -
 ISSUED BY: - CERTIFIED BY: -

UNLESS OTHERWISE SPECIFIED, DIMENSIONS NOT SHOWN IN BRACKETS [] ARE IN INCHES.
 DIMENSIONS SHOWN IN BRACKETS [] ARE IN MILLIMETERS.

THIRD ANGLE PROJECTION	DATE	BY	VALVE ASSEMBLY STRAIGHTWAY 02.50, 03.00 & 04.00 FLANGED, FF HWD	 ITT Engineered Valves Group Lancaster, PA USA	CS D 003977 SHEET 1 OF 1 REV B
	DWN 09/15/06	JLW			
	CHKD 09/15/06	STD			
ECN# 10562	ALL DIMENSIONS SHOWN ON THIS DRAWING ARE FOR REFERENCE ONLY	APVD 09/15/06	STD		