

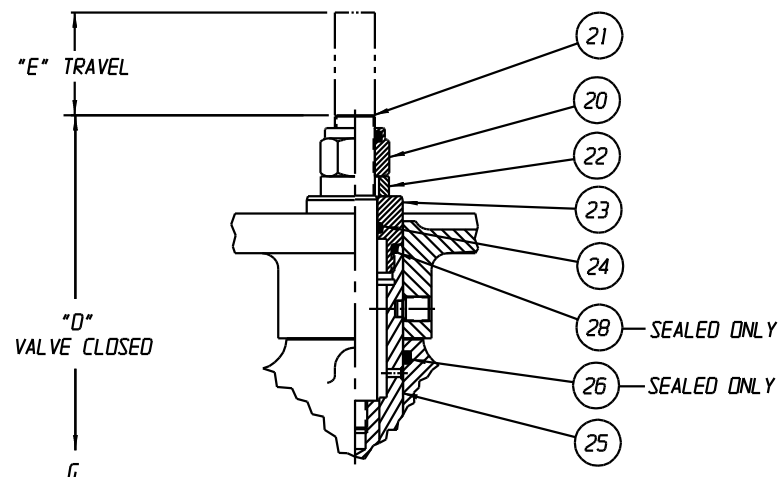
LIST OF PARTS

ITEM	DESCRIPTION	MATERIAL	QTY.
1	BODY - FLANGED PLASTIC LINED	C.I. A-126, CL. B	1
2	BONNET	C.I. A-126, CL. B	1
3	COMPRESSOR	C.I.	1
* 4	DIAPHRAGM	-	1
5	BUSHING NON-SEALED	BRASS	1
6	HANDWHEEL	C.I. A-48, CL.30	1
7	SPINDLE, VALVE	CAR. STL. A-108, GR. 12L14	1
8	EXTENSION, SPINDLE INDICATING	STN. STL. A-582, TYPE 303	1
9	INSERT	CAR. STL. A-108, GR. 12L14	1
10	PIN SPIROL	STN. STL. TYPE 302	1
11	WASHER, SHIM	POLYETHYLENE	AR
12	BEARING, THRUST NEEDLE	CAR. STL.	1
13	BEARING, THRUST RACE	CAR. STL.	1
14	WASHER, THRUST	CAR. STL.	1
15	SCREW, SET HEX. SOC.	ALLOY STEEL F-912	2
16	FITTING, LUBE	-	1
17	STUD	CAR. STL. A-307	AR
18	NUT, HEX.	CAR. STL. A-563, GR. A	AR
19	CAPSEAL	BRASS B-36, C26000	1
20	LOCKNUT, HEX.	STN. STL.	1
21	EXTENSION, SPINDLE ADJ. TRAVEL	STN. STL. A-582, TYPE 303	1
22	SPACER	STN. STL. A-582, TYPE 303	1
23	COLLAR, SEAL	BRASS B-16, C36000 H02	1
* 24	O-RING (SEE TABLE COLUMN "J")	BLUNA-N	1
25	BUSHING SEALED	BRASS	1
* 26	O-RING (SEE TABLE COLUMN "K")	BLUNA-N	1
27	PLUG, V-NOTCH VENT	STN. STL. TYPE 304	1
28	O-RING (SEE TABLE COLUMN "L")	BLUNA-N	1
29	BEARING, THRUST BALL	CAR. STL.	1
30	COLLAR, STOP	C.I. A-126, CL. B	1
● 31	PIN, SPIROL	STN. STL. TYPE 302	1

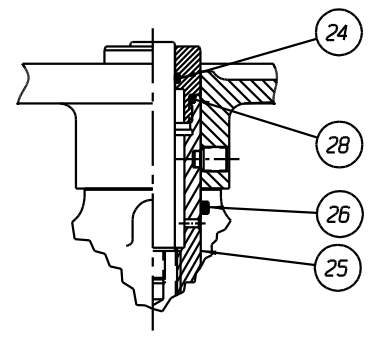
* RECOMMENDED SPARE PARTS

NOTES:
 ● 1. USED WITH 3" VALVE ONLY.
 2. VALVE IS BI-DIRECTIONAL (NO FLOW ARROW).

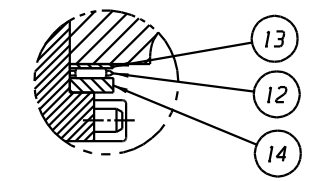
SIZE	"A"	"B"	"C"	"D"	"E"	"F"	"G"	"H"	"J"	"K"	"L"
03.00	10.25 [266.4]	8.81 [223.8]	9.00 [228.6]	10.00 [254.0]	2.31 [58.7]	5.00 [127.0]	6.00 [152.4]	7.50 [190.5]	115	222	122
04.00	12.88 [327.2]	11.16 [283.5]	10.00 [254.0]	12.41 [315.2]	2.81 [71.4]	6.19 [157.2]	7.50 [190.5]	9.00 [228.6]	115	222	122



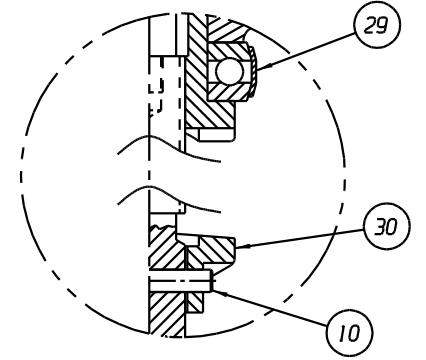
NON-SEALED ADJ TRAVEL TYPE OR SEALED ADJ TRAVEL TYPE
 FURNISHED



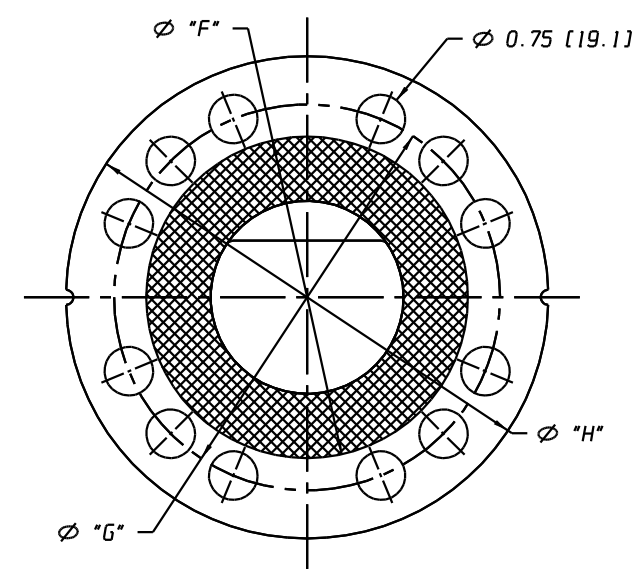
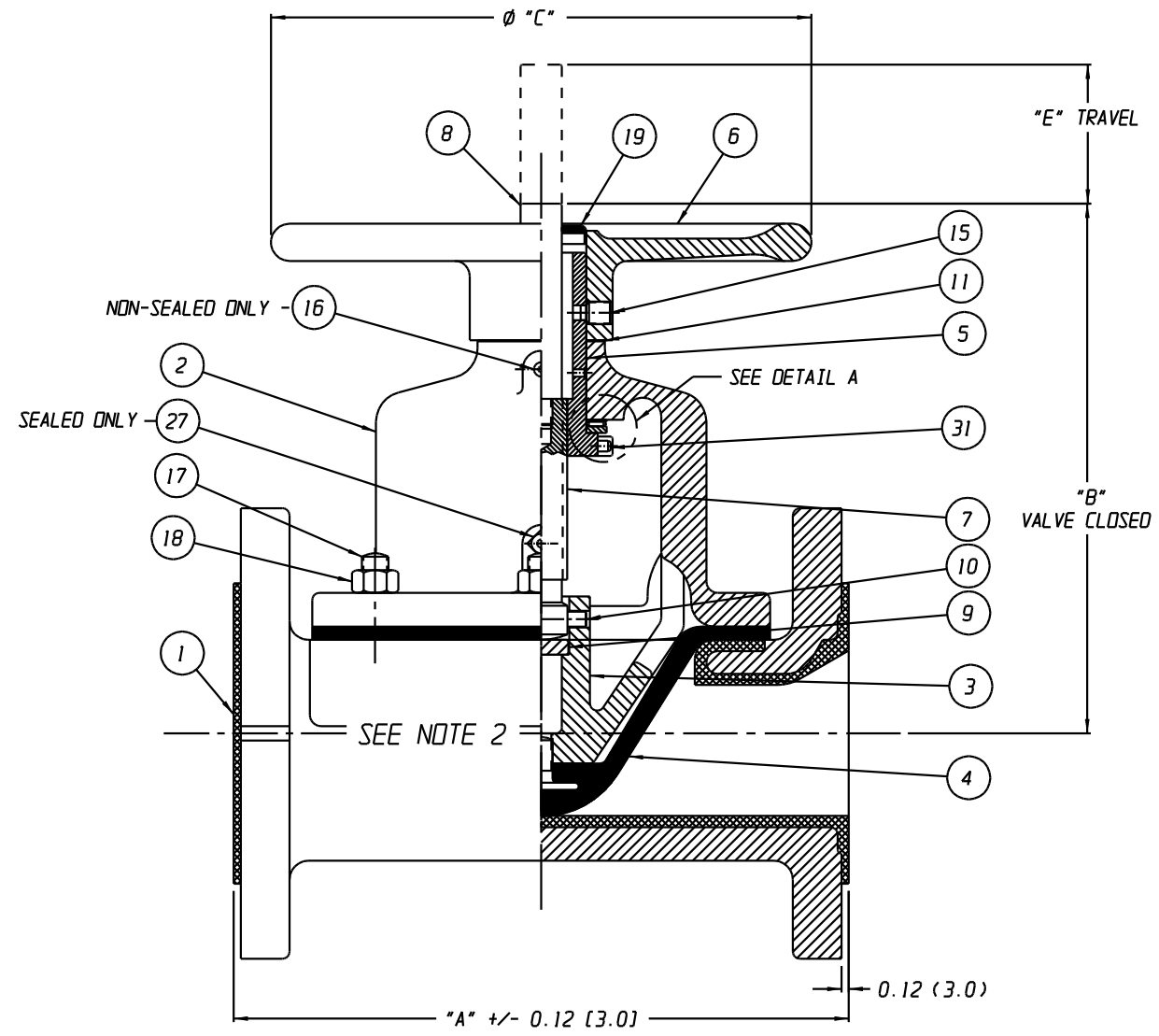
SEALED INDICATING TYPE
 FURNISHED



DETAIL A
 SCALE 2:1
 FOR 3.00 VALVE ONLY
 FURNISHED



DETAIL A
 FOR 4.00 VALVE ONLY
 FURNISHED



3.00 FLANGED END DETAIL
 4.00 FLANGED END DETAIL

UNLESS OTHERWISE SPECIFIED, DIMENSIONS NOT SHOWN IN BRACKETS () ARE IN INCHES. DIMENSIONS SHOWN IN BRACKETS () ARE IN MILLIMETERS.

ENGRD VALVES ORDER: -	ITEM: -	THIRD ANGLE PROJECTION	DATE	BY	VALVE ASSEMBLY STRAIGHTWAY		Engineered Valves www.engvalves.com
FIGURE NO.: -			03/15/13	DJS	03.00 & 04.00		
CUSTOMER: -			03/15/13	STD	FLANGED - PLASTIC LINED	000000-000	SHEET 1 OF 1
CUSTOMER P.O.: -			03/15/13	STD	HWD		
		ALL DIMENSIONS SHOWN ON THIS DRAWING ARE FOR REFERENCE ONLY	APVD	03/15/13	STD	MASTER DWG: 003979-1/1/C	ECN# 14262