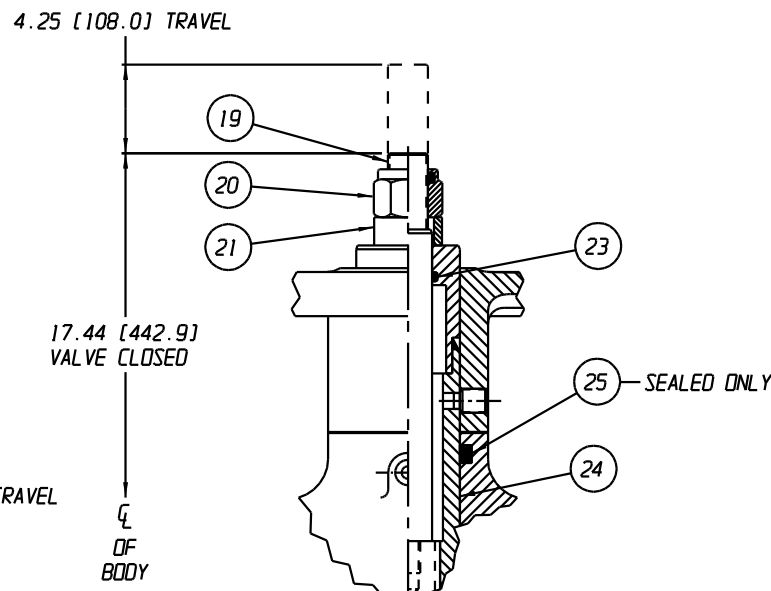
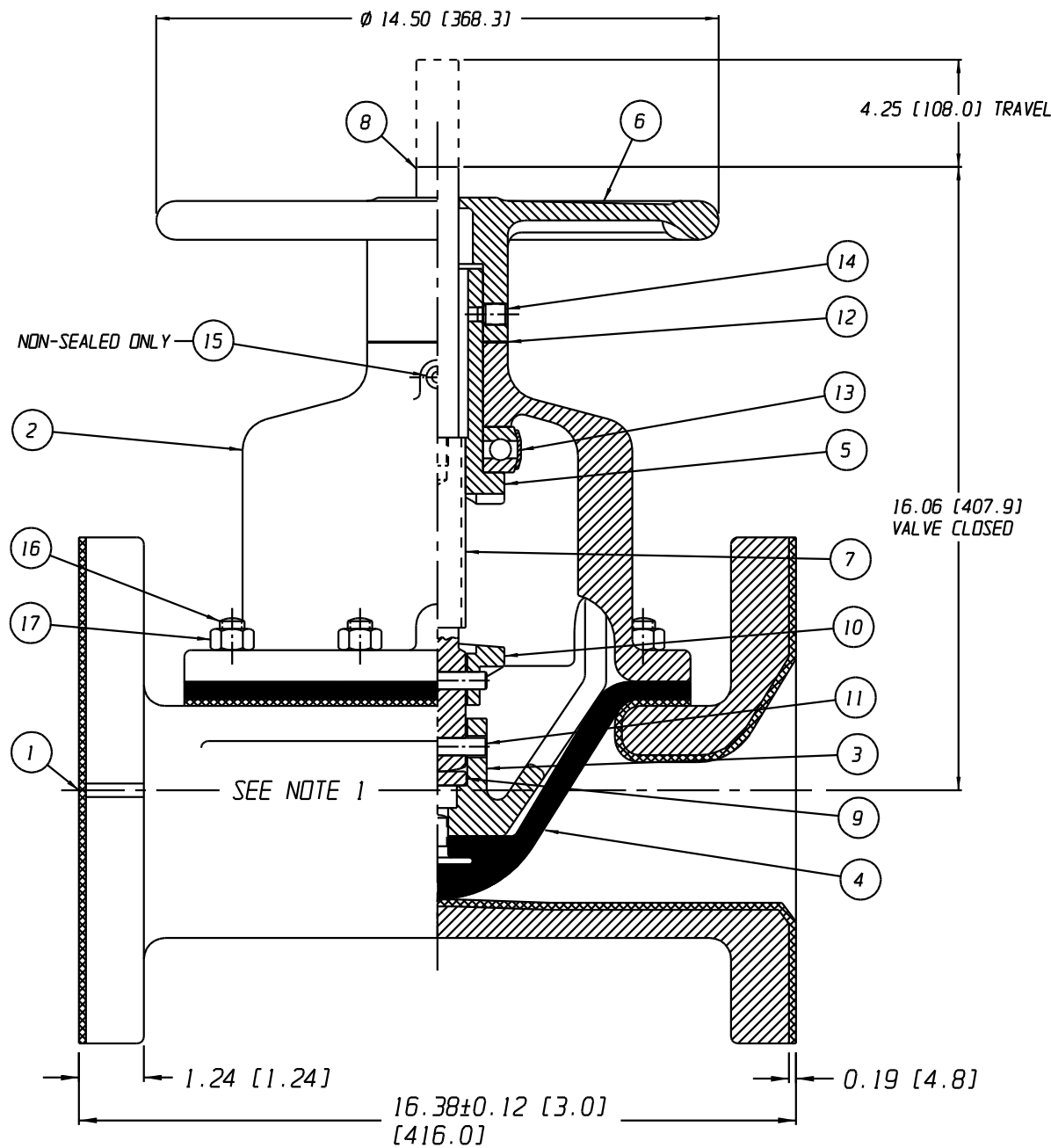
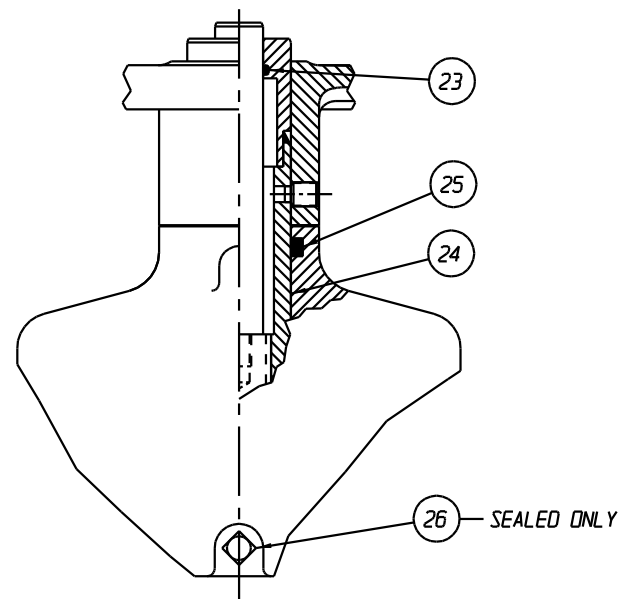


FLANGED END DETAIL
SCALE: 1:2



NON-SEALED ADJ TRAVEL TYPE OR
SEALED ADJ TRAVEL TYPE

FURNISHED



SEALED INDICATING TYPE

FURNISHED

LIST OF PARTS

ITEM	DESCRIPTION	MATERIAL	QTY.
1	BODY, FLANGED RUBBER LINED	C.I. A-126, CL. B	1
2	BONNET	C.I. A-126, CL. B	1
3	COMPRESSOR	C.I. A-126, CL. B	1
* 4	DIAPHRAGM	-	1
5	BUSHING NON-SEALED	BRASS B-584, C86400	1
6	HANDWHEEL	C.I. A-48, CL. 30	1
7	SPINDLE, VALVE	CAR. STL. A-108, GR. 12L14	1
8	EXTENSION, SPINDLE INDICATING	STN. STL. A-582, TYPE 303	1
9	INSERT	CAR. STL. A-108, GR. 12L14	1
10	COLLAR, STOP	C.I. A-126, CL. B	1
11	PIN, SPIROL	STN. STL. TYPE 302	2
12	WASHER, SHIM	POLYETHYLENE	AR
13	BEARING, BALL THRUST	STEEL	1
14	SCREW, SET HEX. SOC.	ALLOY STEEL F-912	2
15	FITTING, LUBE	-	1
16	STUD	CAR. STL. A-307	8
17	NUT, HEX.	CAR. STL. A-563, GR. A	8
18	-	-	-
19	EXTENSION, SPINDLE ADJ. TRAVEL	STN. STL. A-582, TYPE 303	1
20	LOCKNUT, HEX.	STN. STL.	1
21	SPACER	STN. STL. A-582, TYPE 303	1
22	-	-	-
* 23	O-RING DASH NO. 212	BUNA-N	1
24	BUSHING ASSY	BRASS	1
* 25	O-RING DASH NO. 328	BUNA-N	1
26	PLUG, V-NOTCH VENT 1/4" NPT	STN. STL. TYPE 304	1

* RECOMMENDED SPARE PARTS

NOTES:
1. VALVE IS BI-DIRECTIONAL (NO FLOW ARROW).

UNLESS OTHERWISE SPECIFIED, DIMENSIONS NOT SHOWN IN BRACKETS () ARE IN INCHES. DIMENSIONS SHOWN IN BRACKETS () ARE IN MILLIMETERS.

ENGRD VALVES ORDER: -	ITEM: -	THIRD ANGLE PROJECTION	DATE	BY	VALVE ASSEMBLY
FIGURE NO.: -			08/15/13	DJS	STRAIGHTWAY 06.00
CUSTOMER: -			08/15/13	STD	FLANGED - RUBBER LINED
CUSTOMER P.O.: -			08/15/13	STD	HWD
		ALL DIMENSIONS SHOWN ON THIS DRAWING ARE FOR REFERENCE ONLY	APVD	08/15/13	MASTER DWG: 003982-1/1/0
					ECN# 14938
					ISSUED BY: -
					CERT BY: -

Engineered Valves
www.engvalves.com

000000-000

SHEET 1 OF 1