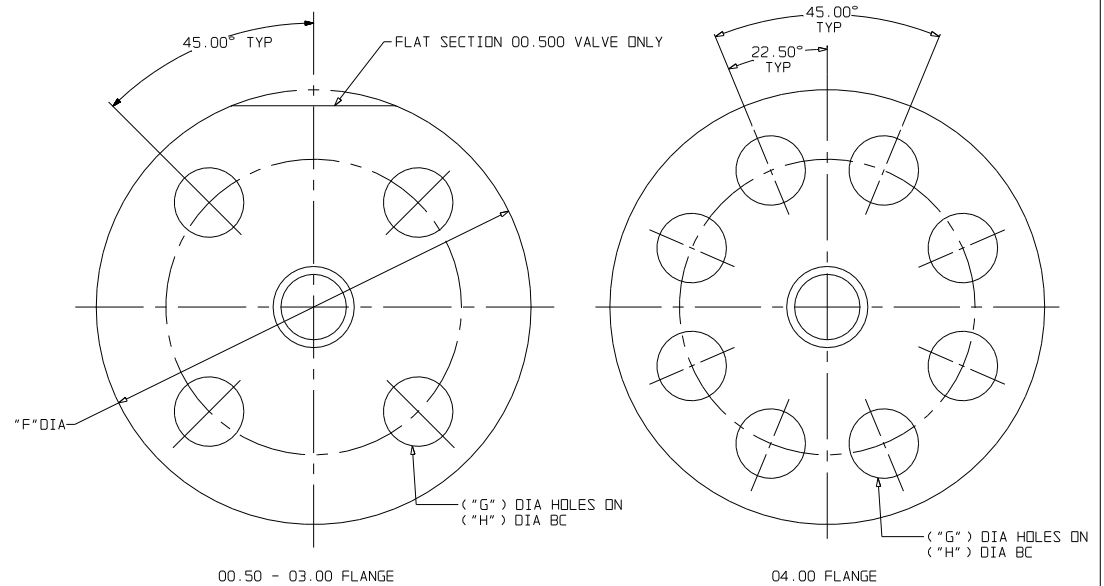


LIST OF PARTS			
ITEM	DESCRIPTION	MATERIAL	QTY.
1	ASSEMBLY - BONNET	-	1
2	BODY - FLANGED SOLVENT WELD	-	1

VALVE SIZE	"A"	"B"	"C"	"D"	"E" DIA	"F" DIA	"G" DIA	"H" DIA	"I"	"J" THREAD
00.50	0.72 (18.3)	3.94 (100.1)	2.98 (75.7)	4.37 (111.0) 4.13 (104.9)	3.00 (76.2)	3.50 (88.9)	0.56 (14.2)	2.38 (60.5)	1.00 (25.4)	10-32UNF X .394 DP
00.75	0.81 (20.6)	5.11 (129.8)	3.92 (99.6)	5.87 (149.1) 5.63 (143.0)		3.88 (98.6)		2.75 (69.9)		
01.00	1.02 (25.9)	5.84 (148.3)	4.45 (113.0)	7.00 (177.8) 6.76 (171.7)	5.50 (139.7)	4.25 (108.0)	0.62 (15.7)	3.12 (79.2)	1.75 (44.5)	.250-20UNC X .551 DP
01.50	1.34 (34.0)	8.72 (221.5)	5.62 (142.7)	8.00 (203.2) 7.76 (197.1)		5.00 (127.0)		4.75 (120.7)		
02.00	1.23 (31.2)	9.17 (232.9)	6.07 (154.2)	10.37 (263.4) 10.13 (257.3)	7.75 (196.9)	7.50 (190.5)	0.75 (19.1)	6.00 (152.4)	3.94 (100.1)	.500-13UNC X .945 DP
03.00	2.33 (59.2)	12.02 (305.3)	7.94 (201.7)	13.00 (330.2) 12.76 (324.1)		10.00 (254.0)		9.06 (230.1)		
04.00	2.81 (71.4)	15.26 (387.6)	10.59 (269.0)					7.50 (190.5)	4.75 (120.7)	

NOTE:
1. DIMENSIONS IN PARENTHESIS ARE METRIC (mm).



ECN# 3259

ITT ENGRD VLVS ORDER: -
 CUSTOMER: -
 CUSTOMER P.O.: -
 ISSUED BY: - CERTIFIED BY: -

DATE	BY	VALVE OUTLINE
DWN 11/20/97	JLW	WEIR 00.50 - 04.00
CHKD 11/24/97	DJS	900 SERIES METAL BONNET
APVD 11/26/97	KEH	WITH PLASTIC BODY
		SOLVENT WELD
		FLANGED ENDS

ITT Engineered Valves
 ITT Fluid Technology Corporation
 Lancaster, Pa

CS	D	004709	REV
		SHEET 1 OF 1	-