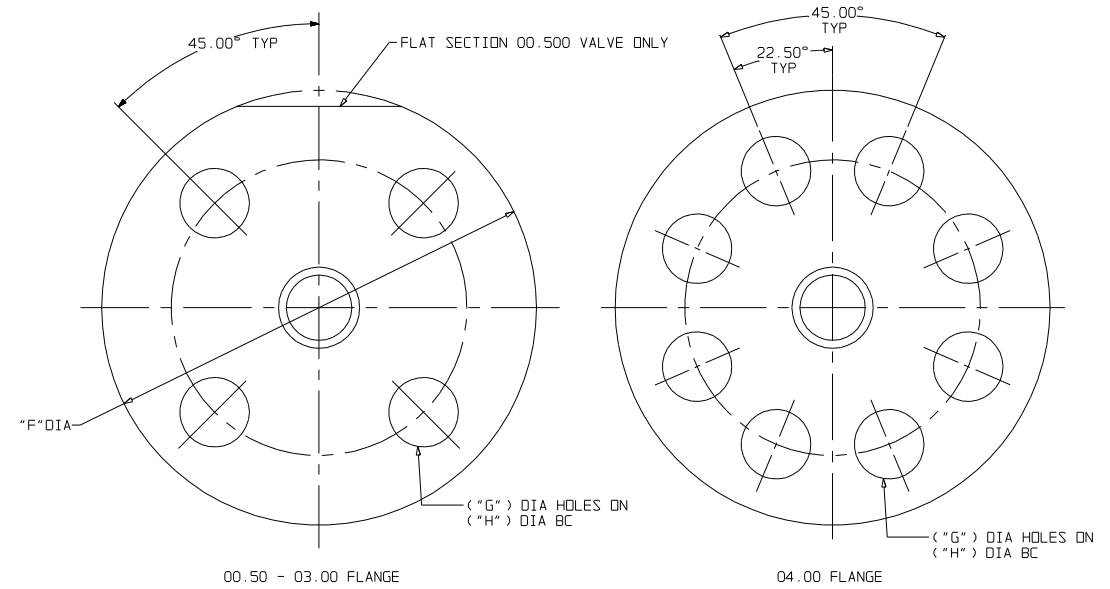


LIST OF PARTS			
ITEM	DESCRIPTION	MATERIAL	QTY.
1	ASSEMBLY - BONNET	-	1
2	BODY - FLANGED FUSION WELD	-	1

VALVE SIZE	"A"	"B"	"C"	"D"	"E" DIA	"F" DIA	"G" DIA	"H" DIA	"I"	"J" THREAD	"K"
00.50	0.72 (18.3)	3.94 (100.1)	2.98 (75.7)	4.37 (111.0) 4.13 (104.9)	3.00 (76.2)	3.50 (88.9)	0.56 (14.2)	2.38 (60.5)	1.00 (25.4)	10-32UNF X .394 DP	0.55 (14.0)
00.75	0.81 (20.6)	5.11 (129.8)	3.92 (99.6)	5.87 (149.1)		3.88 (98.6)		2.75 (69.9)			0.59 (15.0)
01.00	1.02 (25.9)	5.84 (148.3)	4.45 (113.0)	5.63 (143.0)	5.50 (139.7)	4.25 (108.0)	0.62 (15.7)	3.12 (79.2)	.250-20UNC X .551 DP	0.61 (15.5)	
01.50	1.34 (34.0)	8.72 (221.5)	5.62 (142.7)	7.00 (177.8) 6.76 (171.7)		5.00 (127.0)		3.88 (98.6)		1.75 (44.5)	0.65 (16.5)
02.00	1.23 (31.2)	9.17 (232.9)	6.07 (154.2)	8.00 (203.2) 7.76 (197.1)	7.75 (196.9)	6.00 (152.4)	0.75 (19.1)	4.75 (120.7)	.500-13UNC X .945 DP	0.77 (19.6)	
03.00	2.33 (59.2)	12.02 (305.3)	7.94 (201.7)	10.37 (263.4) 10.13 (257.3)		7.50 (190.5)		6.00 (152.4)		3.94 (100.1)	0.85 (21.6)
04.00	2.81 (71.4)	15.26 (387.6)	10.59 (269.0)	13.00 (330.2) 12.76 (324.1)	10.00 (254.0)	9.00 (228.6)	7.50 (190.5)	4.75 (120.7)		0.94 (23.9)	

NOTE:
 1. FLANGE RING IS CARBON STEEL, PVDF COATED.
 2. DIMENSIONS IN PARENTHESIS ARE METRIC (mm).



UNLESS OTHERWISE SPECIFIED, DIMENSIONS NOT SHOWN IN BRACKETS () ARE IN INCHES. DIMENSIONS SHOWN IN BRACKETS () ARE IN MILLIMETERS.

ENGRD VALVES ORDER: -	ITEM: -	THIRD ANGLE PROJECTION	DATE	BY	VALVE OUTLINE	 Engineered Valves www.enrvalves.com
FIGURE NO.: -			DWN 11/20/97	JLW	WEIR 00.50 - 04.00	
CUSTOMER: -			CHKD 11/24/97	DJS	900 SERIES METAL BONNET	
CUSTOMER P.O.: -			APVD 11/26/97	KEH	WITH PLASTIC BODY FUSION WELD FLANGED ENDS	
		ALL DIMENSIONS SHOWN ON THIS DRAWING ARE FOR REFERENCE ONLY	APVD 11/26/97	KEH	MASTER DWG: 004710-1/1/-	IECN# 3259
					ISSUED BY: -	CERT BY: -