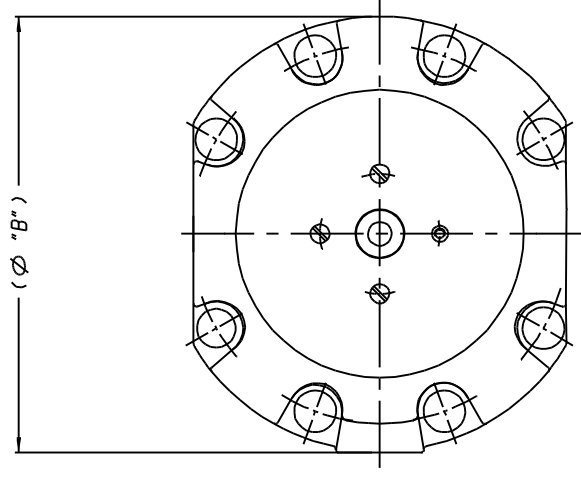
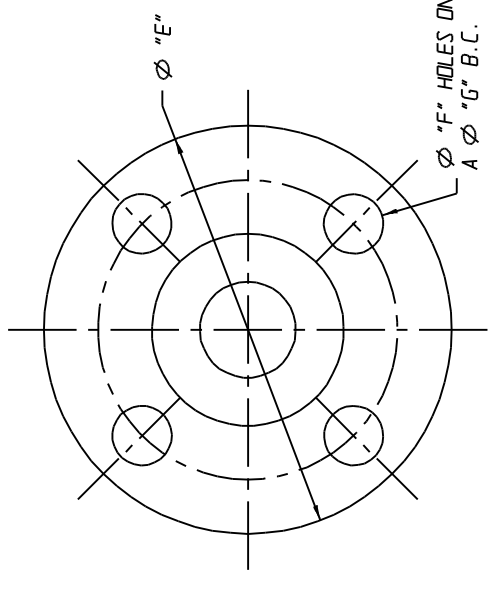
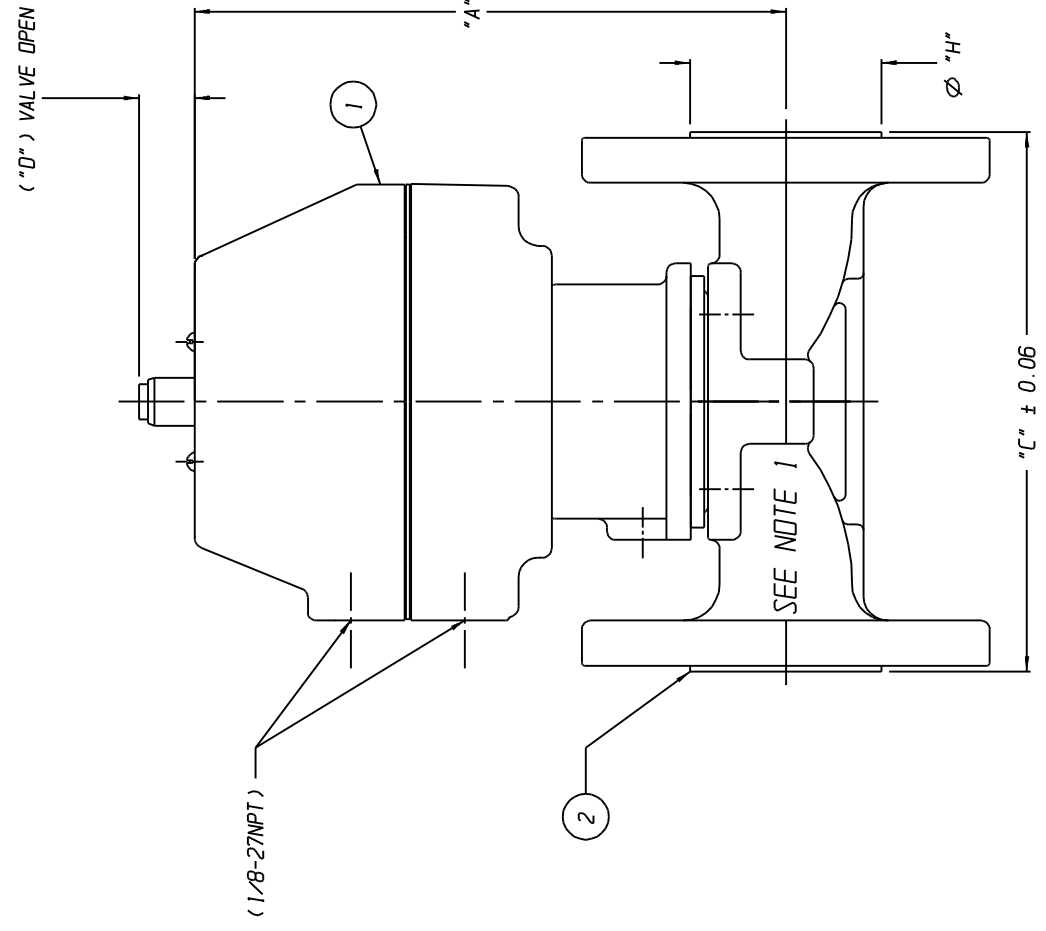


LIST OF PARTS		
ITEM	DESCRIPTION	MATERIAL
1	ASSEMBLY ADVANTAGE ACTUATOR	PLASTIC
2	BODY, FLANGED	STN. STL.

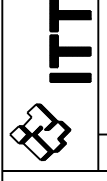
VALVE SIZE	ACTR. SIZE	"A"	"B" DIA	"C"	"D"	"E"	"F"	"G"	"H"
00.50	05	4.81 [122.2]	3.00 [76.2]	4.00 [101.6]	0.33 [8.4]	3.50 [88.9]	0.62 [15.7]	2.38 [60.5]	1.38 [35.1]
00.50	08	5.43 [137.9]	4.53 [115.1]		0.28 [7.1]				
00.75	08	6.21 [157.7]	4.53 [115.1]	5.50 [139.7]	0.61 [15.5]	3.88 [98.6]	0.62 [15.7]	2.75 [69.9]	1.69 [42.9]
01.00						4.25 [108.0]		3.12 [79.3]	2.00 [50.8]
00.75	16	9.10 [231.1]	6.31 [160.3]	5.50 [139.7]	0.53 [13.5]	3.88 [98.6]	0.62 [15.7]	2.75 [69.9]	1.69 [42.9]
01.00						4.25 [108.0]		3.12 [79.3]	2.00 [50.8]
01.25	16	9.90 [251.4]	6.31 [160.3]	6.50 [165.1]	0.86 [21.8]	5.00 [127.0]	0.62 [15.7]	3.50 [88.9]	2.50 [63.5]
01.50								3.88 [98.6]	2.88 [73.2]
* 02.00	16 DR	10.39 [263.9]	6.31 [160.3]	7.50 [190.5]	0.88 [22.4]	6.00 [152.4]	0.75 [19.1]	4.75 [120.7]	3.62 [92.0]
* 02.00	16 DB, RV				1.12 [28.4]				

NOTES:
 1. VALVE IS BI-DIRECTIONAL (NO FLOW ARROW).
 *2. STROKE OF 02.00 VALVE WITH DIRECT ACTING (A116) IS REDUCED TO 0.88 [22.4]. ALL OTHER 02.00 VALVES HAVE STANDARD 1.12 [28.4] STROKE.



UNLESS OTHERWISE SPECIFIED, DIMENSIONS NOT SHOWN IN BRACKETS [] ARE IN INCHES. DIMENSIONS SHOWN IN BRACKETS [] ARE IN MILLIMETERS.

ENGRD VALVES ORDER: -	ITEM: -	THIRD ANGLE PROJECTION	DATE	BY	VALVE OUTLINE
FIGURE NO.: -			DWN 02/02/15	DJS	WEIR 00.50 THRU 02.00
CUSTOMER: -			CHKD 02/02/15	STD	ADV. ACT. SERIES 05-16
CUSTOMER P.O.: -			APVD 02/02/15	STD	STN STL BONNET
					BODY W/FLG'D ENDS, RF
					MASTER DWG: 0050661/E
					ECN# 15734
					ISSUED BY: -
					SHEET 1 OF 1
					REV -
					000000-000



Engineered Valves
www.engvalves.com