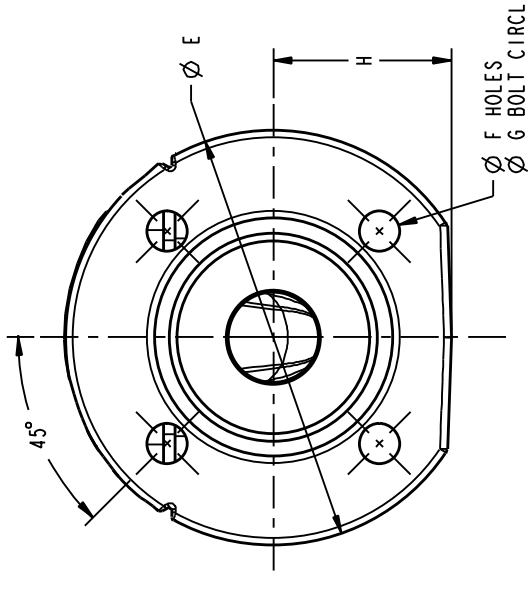
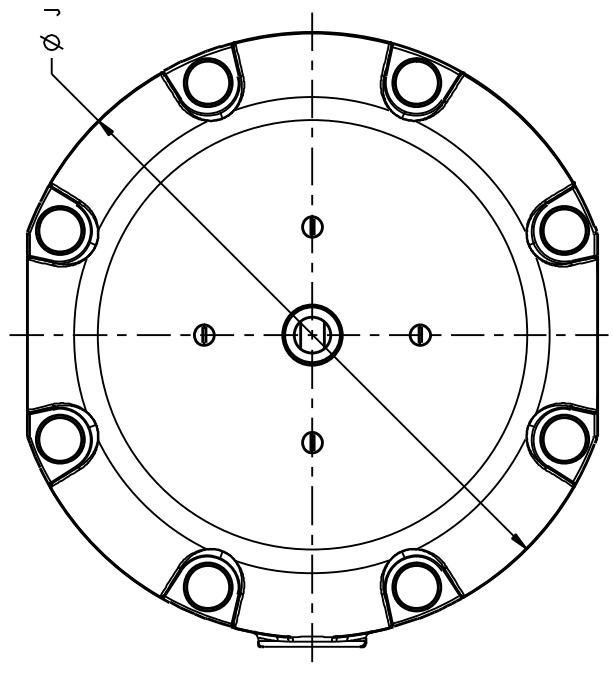
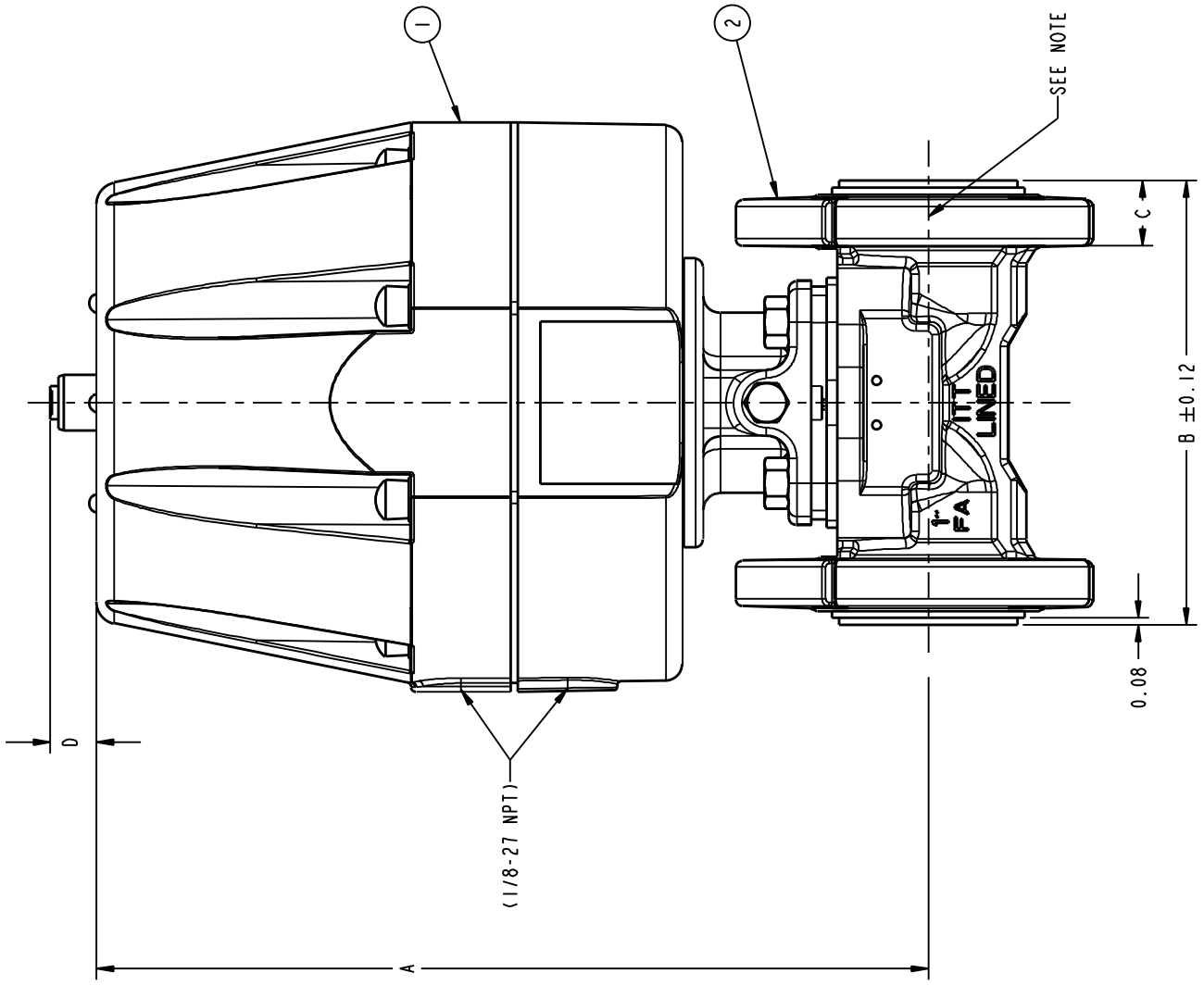


LIST OF PARTS

ITEM	DESCRIPTION	MATERIAL	QTY
1	ASSEMBLY, ADVANTAGE ACTUATOR	PLASTIC	1
2	BODY, FLANGED PFA LINED	STN. STL.	1

NOTES:
 1. VALVE IS BI-DIRECTIONAL (NO FLOW ARROW).
 #2. STROKE OF 02.00 VALVE WITH DIRECT ACTING (A116) IS REDUCED TO 0.88 [22.4]. ALL OTHER 02.00 VALVES HAVE STANDARD 1.12 [28.4] STROKE.

BODY SIZE	ACT. SIZE	A	B	C	D	E	F	G	H	J
00.50	05	5.02 [127.5]	5.12 [130.1]	0.74 [18.8]	0.33 [8.4]	3.74 [95.0]	0.62 [15.8]	2.38 [60.5]	1.87 [47.5]	3.00 [76.2]
00.50	08	5.64 [143.3]	5.12 [130.1]	0.74 [18.8]	0.28 [7.1]	3.74 [95.0]	0.62 [15.8]	2.38 [60.5]	1.87 [47.5]	4.53 [115.1]
00.75	08	6.45 [163.8]	5.91 [150.1]	0.83 [21.1]	0.61 [15.5]	4.13 [104.9]	0.62 [15.8]	2.75 [69.9]	2.07 [52.6]	4.53 [115.1]
01.00	08	6.57 [166.9]	5.75 [146.1]	0.74 [18.8]	0.61 [15.5]	4.25 [108.0]	0.62 [15.8]	3.12 [79.3]	1.88 [47.8]	4.53 [115.1]
01.00	16	9.46 [240.3]	5.75 [146.1]	0.74 [18.8]	0.53 [13.5]	4.25 [108.0]	0.62 [15.8]	3.12 [79.3]	1.88 [47.8]	6.31 [160.3]
01.50	16	10.19 [258.8]	6.88 [174.8]	0.86 [21.8]	0.86 [21.8]	5.00 [127.0]	0.62 [15.8]	3.88 [98.6]	2.19 [55.6]	6.31 [160.3]
02.00	16 DR	10.61 [269.5]	7.88 [200.2]	0.93 [23.6]	0.88 [22.4]	6.00 [152.4]	0.75 [19.1]	4.75 [120.7]	2.81 [71.4]	6.31 [160.3]
02.00	16 DB, RV	10.61 [269.5]	7.88 [200.2]	0.93 [23.6]	1.12 [28.4]	6.00 [152.4]	0.75 [19.1]	4.75 [120.7]	2.81 [71.4]	6.31 [160.3]



TOP VIEW

UNLESS OTHERWISE SPECIFIED, DIMENSIONS NOT SHOWN IN BRACKETS [] ARE IN INCHES. DIMENSIONS SHOWN IN BRACKETS [] ARE IN MILLIMETERS.

ENGRD VALVES ORDER: -	DATE	BY	VALVE OUTLINE
FIGURE NO. :-	DWN	01/30/15	WEIR 0.50 - 2.00
CUSTOMER: -	CHKD	01/30/15	SERIES 05 - 16
CUSTOMER P. O. :-	APVD	01/30/15	ADV ACT LOW PROFILE
			PFA LINED
			MASTER DWG: 008786-17/B
			ECN# 15734
			ISSUED BY: -
			CERT BY: -

ITT
 Engineered Valves
 www.ittvalves.com

D 000000-000
 SHEET 1 OF 1