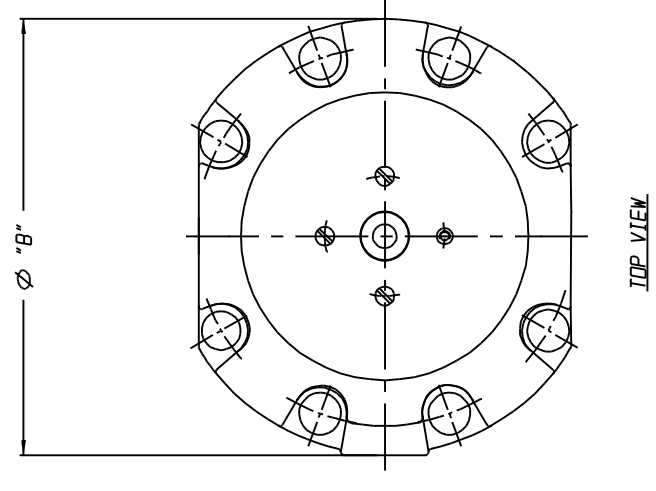
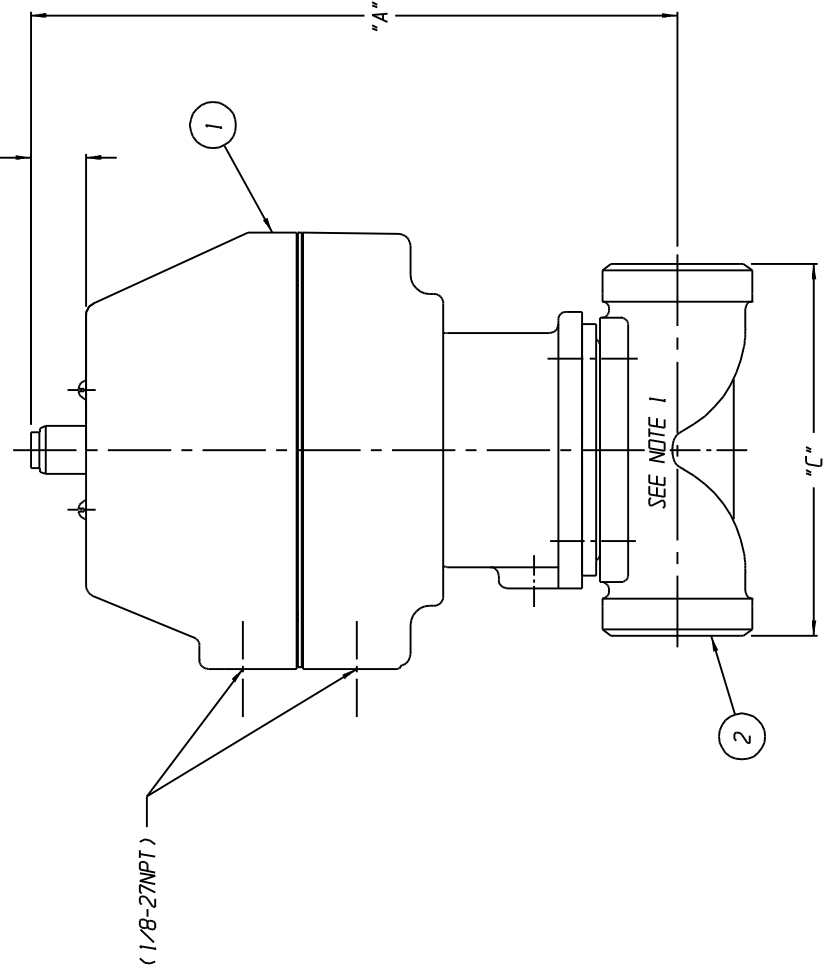


LIST OF PARTS			
ITEM	DESCRIPTION	MATERIAL	QTY.
1	ASSEMBLY, ADVANTAGE ACTUATOR	PLASTIC	1
2	BODY, BUTTWELD (PIPE)	STN STL	1

BODY SIZE	ACTR SIZE	"A"	"B" DIA	"C"	"D"
00.50	05	4.77 [121.2]	3.00 [76.2]	3.56 [90.4] 3.44 [87.4]	0.33 [8.4] 0.28 [7.1]
00.50	08	5.42 [137.7]	4.53 [115.1]	4.06 [103.1] 3.94 [100.1]	0.41 [10.4]
00.75	08	5.78 [146.8]	4.53 [115.1]	4.56 [115.8] 4.44 [112.8]	0.61 [15.5]
01.00	08	6.22 [158.0]	4.53 [115.1]	4.56 [115.8] 4.44 [112.8]	0.53 [13.5]
01.00	16	9.11 [231.4]	6.31 [160.3]	5.56 [141.2] 5.44 [138.2]	0.86 [21.8]
01.25	16	9.87 [250.7]	6.31 [160.3]	6.31 [160.3] 6.19 [157.2]	0.88 [22.4] 1.12 [28.4]
01.50	16	10.32 [262.1]	6.31 [160.3]	6.31 [160.3] 6.19 [157.2]	0.88 [22.4] 1.12 [28.4]


*
*

NOTES:
 1. VALVE IS BI-DIRECTIONAL (NO FLOW ARROW).
 * 2. STROKE OF 02.00 VALVE WITH DIRECT ACTING (A116) IS REDUCED TO 0.88 [22.4]. ALL OTHER 02.00 VALVES HAVE STANDARD 1.12 [28.4] STROKE.



UNLESS OTHERWISE SPECIFIED, DIMENSIONS NOT SHOWN IN BRACKETS [] ARE IN INCHES. DIMENSIONS SHOWN IN BRACKETS [] ARE IN MILLIMETERS.

ENGRD VALVES ORDER: -	ITEM: -	DATE	BY	VALVE OUTLINE
FIGURE NO.: -		DWN	01/29/15	WEIR 00.50 THRU 02.00
CUSTOMER: -		CHKD	01/29/15	SERIES 05-16
CUSTOMER P.O.: -		APVD	01/29/15	ADVANTAGE ACT, SST BONNET
				BUTTWELD ENDS (PIPE)
				MASTER DWG: 009800-1/1/A
				ECN# 15734
				ISSUED BY: -
				CERT BY: -



 ITT

 Engineered Valves

 www.ittvalves.com

 D 000000-000

 SHEET 1 OF 1

 REV -