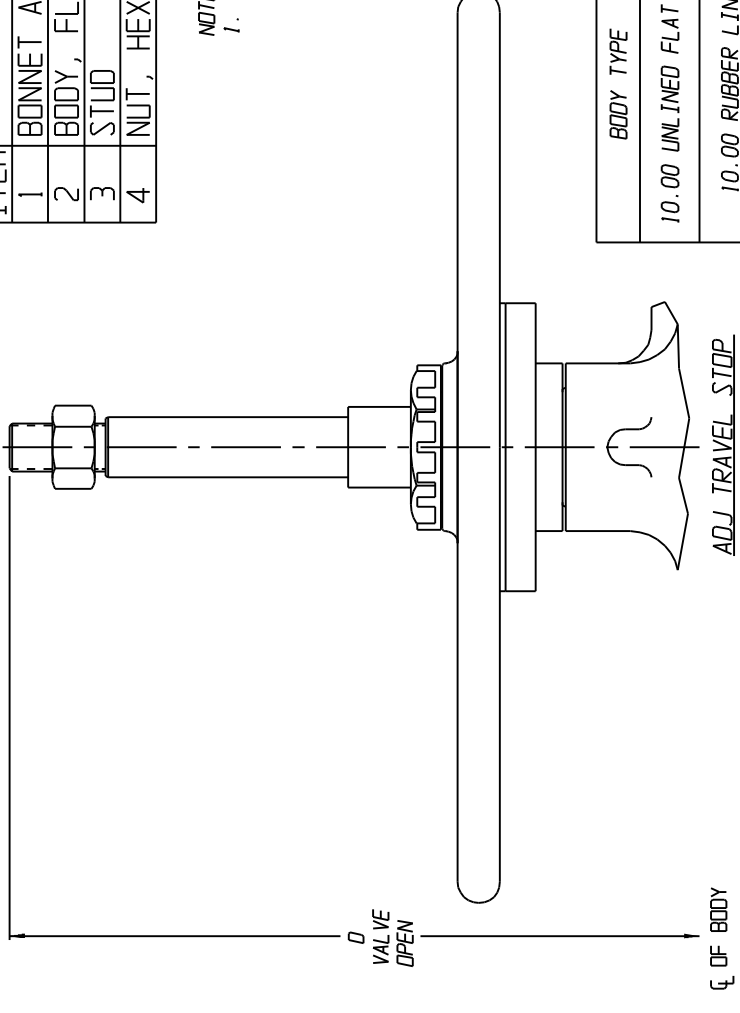


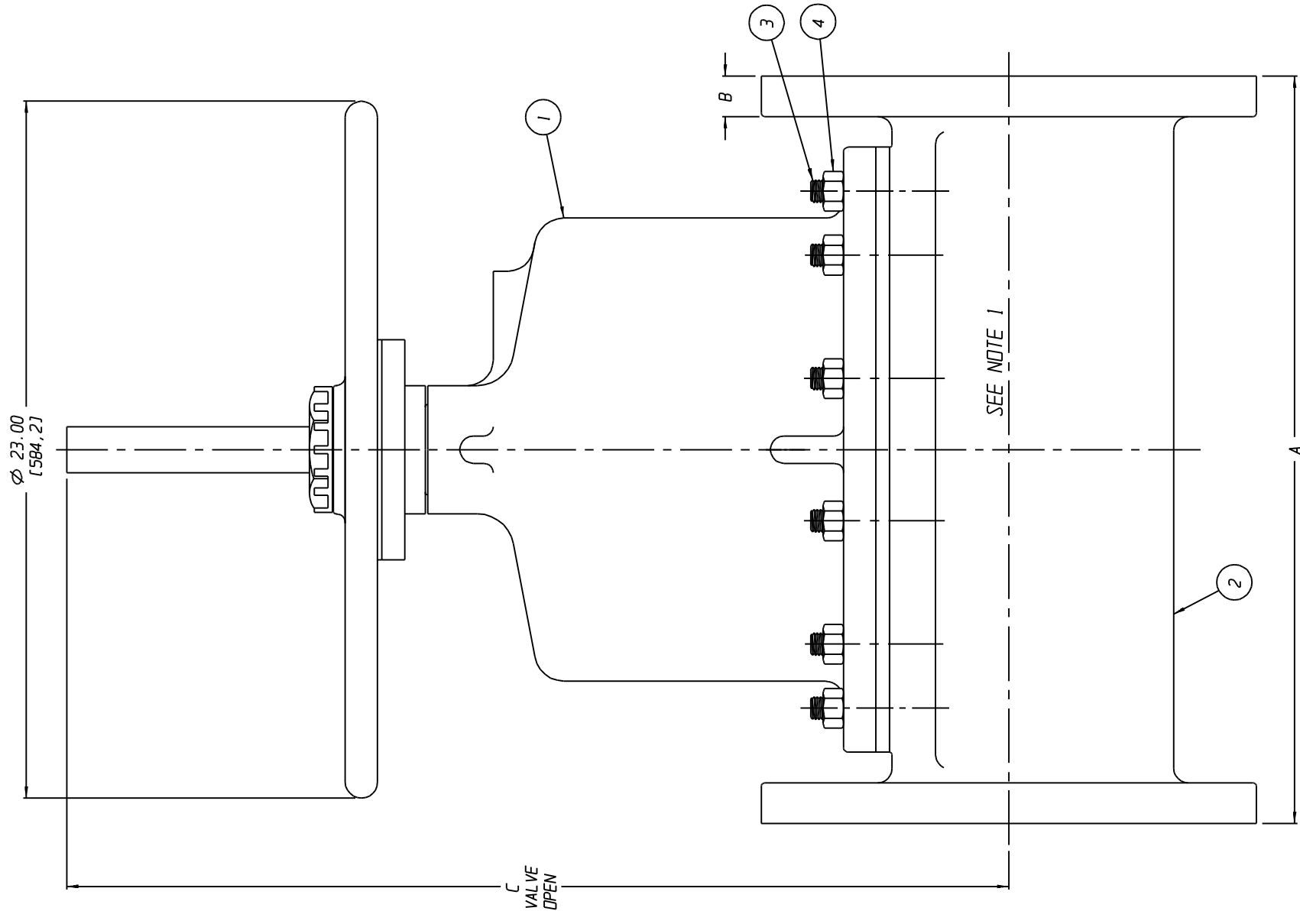
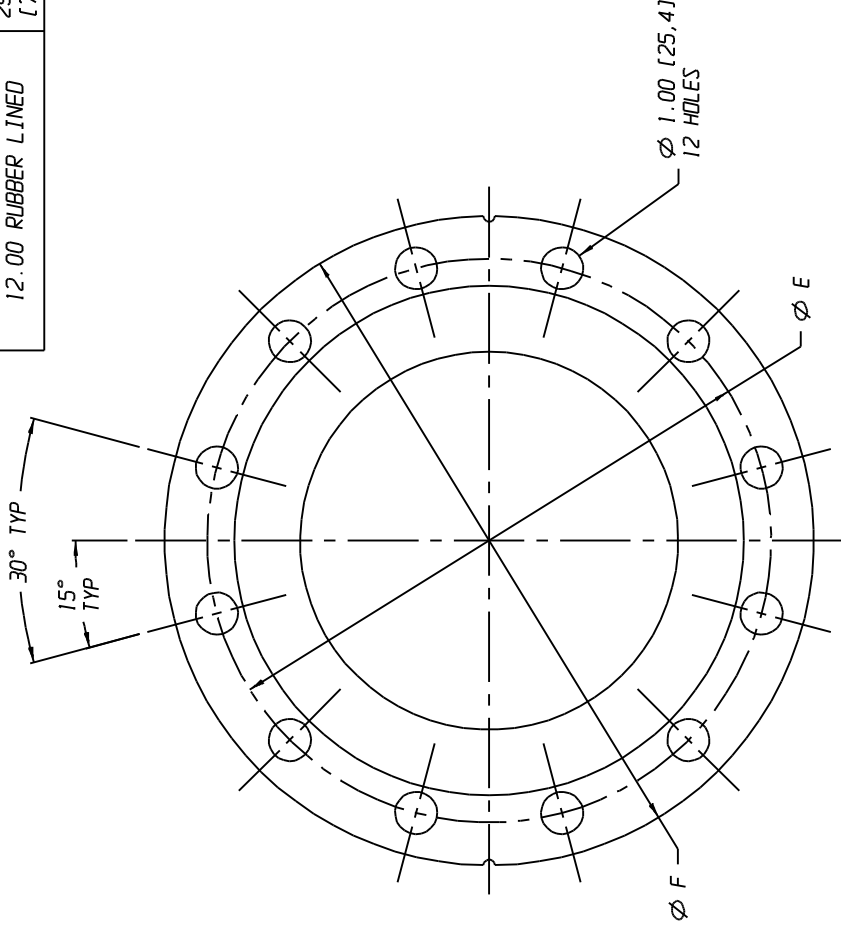
LIST OF PARTS

ITEM	DESCRIPTION	MATERIAL	QTY.
1	BONNET ASSEMBLY	-	1
2	BODY, FLANGED	-	1
3	STUD	STL	14
4	NUT, HEX	STL	14

NOTE:
1. VALVE IS BI-DIRECTIONAL (NO FLOW ARROW).



BODY TYPE	A	B	C	D	E	F
10.00 UNLINED FLAT FACE	25.00+/- 0.06 [635,0] [1,5]	1.24 [31,5]	29.93 [760,2]	31.30 [795,0]	14.25 [362,0]	16.03 [407,2]
10.00 RUBBER LINED	25.38+/- 0.12 [644,6] [3,0]	1.43 [36,3]	30.13 [765,3]	31.50 [800,1]	14.25 [362,0]	16.03 [407,2]
12.00 UNLINED FLAT FACE	29.50+/- 0.12 [749,3] [3,0]	1.30 [33,0]	29.93 [760,2]	31.30 [795,0]	17.00 [431,8]	19.03 [483,4]
12.00 RUBBER LINED	29.88+/- 0.19 [759,0] [4,8]	1.49 [37,8]	30.13 [765,3]	31.50 [800,1]	17.00 [431,8]	19.03 [483,4]



UNLESS OTHERWISE SPECIFIED, DIMENSIONS NOT SHOWN IN BRACKETS [] ARE IN INCHES. DIMENSIONS SHOWN IN BRACKETS [] ARE IN MILLIMETERS.

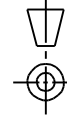
ENGRD VALVES ORDER: - ITEM: -

FIGURE NO.: -

CUSTOMER: -

CUSTOMER P.O.: -

THIRD ANGLE PROJECTION



ALL DIMENSIONS SHOWN ON THIS DRAWING ARE FOR REFERENCE ONLY.

DATE BY VALVE ASSEMBLY
DWN 01/29/16 DJS ST 10.00 & 12.00
CHKD 02/02/16 STD FLANGED HWD
APVD 02/02/16 STD

MASTER DWG: 009842-1/1/A ECN# 15984 ISSUED BY: - CERT BY: -

SHEET REV
D 000000-000 1 OF 1



Engineered Valves
www.engvalves.com