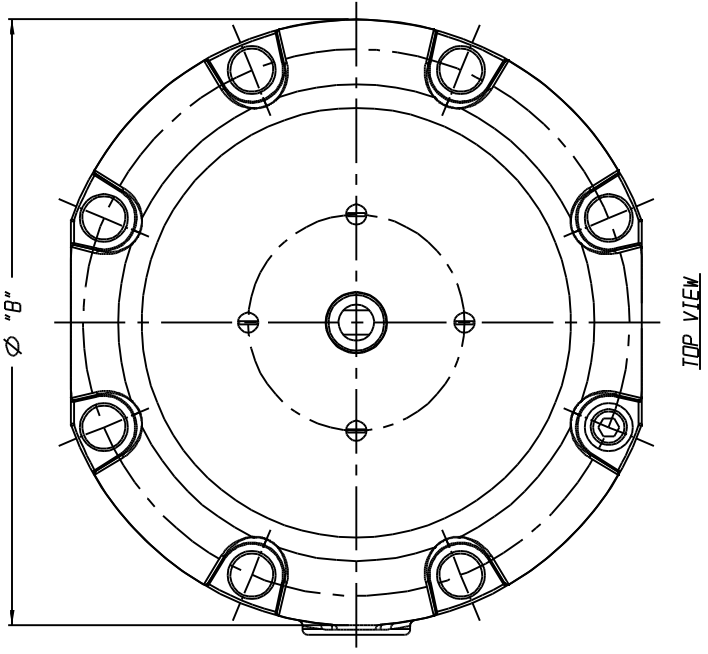
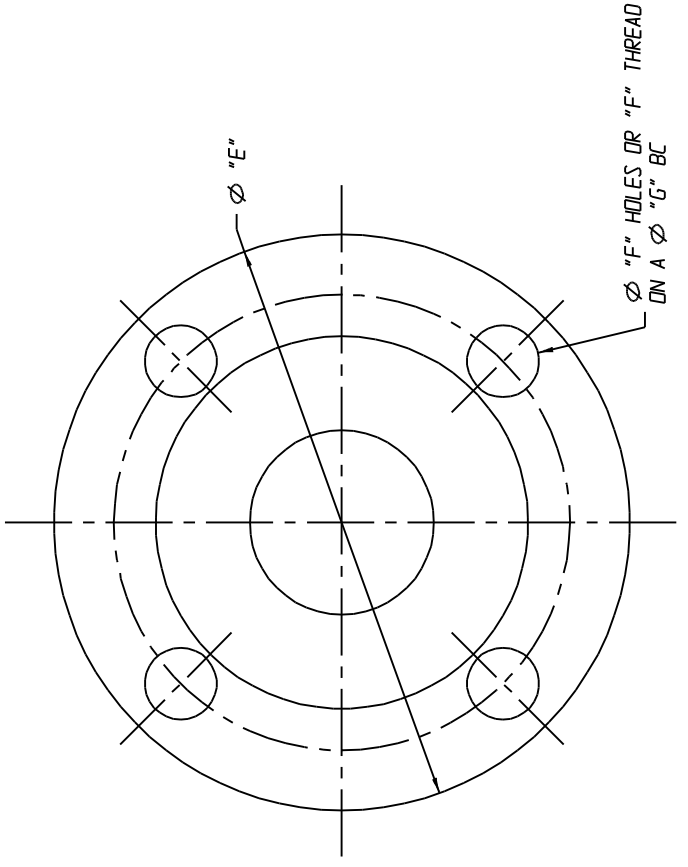
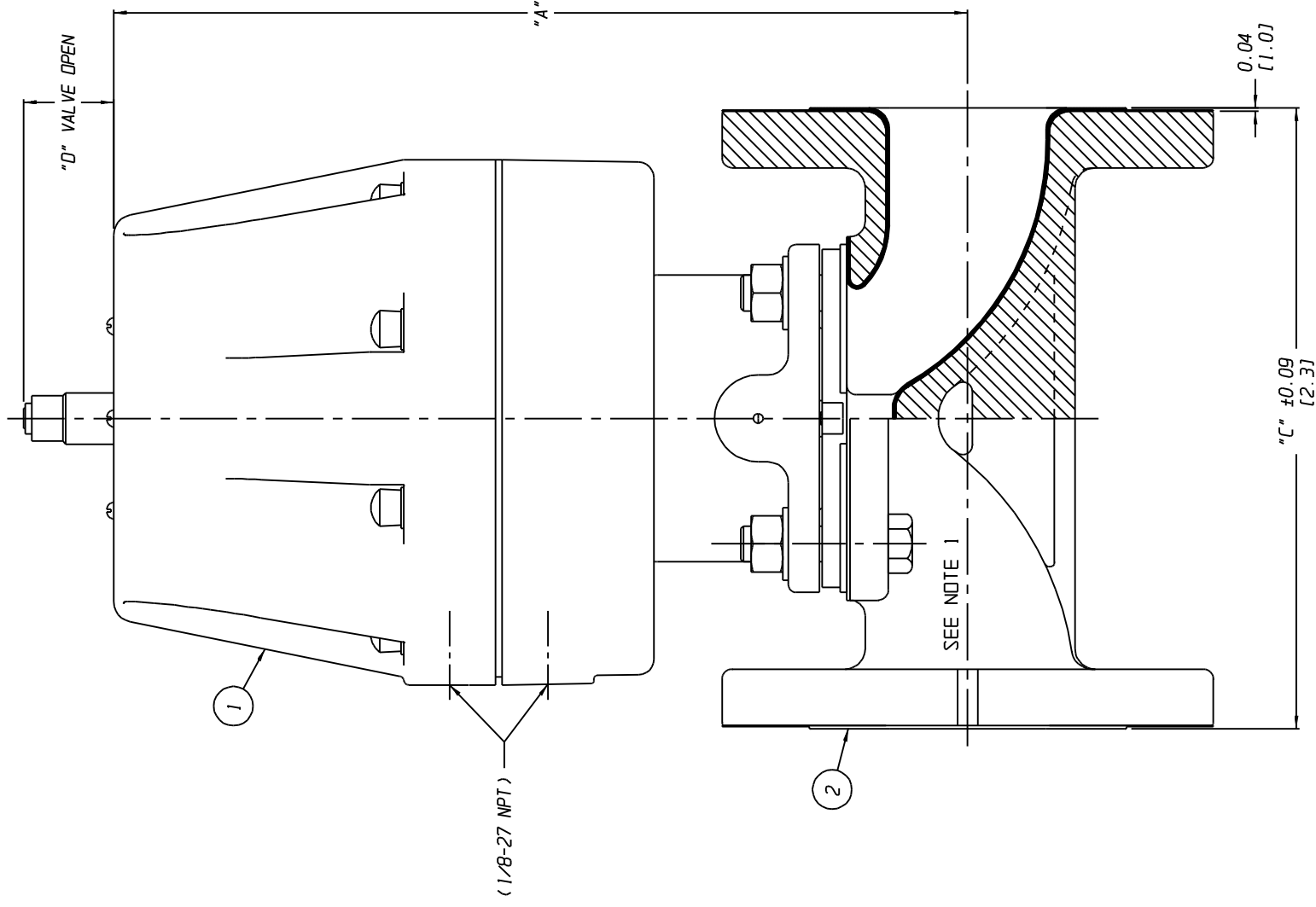


LIST OF PARTS			
ITEM	DESCRIPTION	MATERIAL	QTY.
1	ASSEMBLY ADVANTAGE ACTUATOR	PLASTIC	1
2	BODY, FLANGED GLASS LINED	-	1

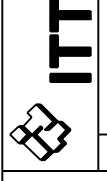
VALVE SIZE	ACTR. SIZE	"A"	"B" DIA	"C"	"D"	"E"	"F" DIA	"G"
00.50	05	4.87 [123.7]	3.00 [76.2]	4.06 [103.1]	0.33 [8.4]	3.50 [88.9]	0.62 [15.7]	2.38 [60.5]
00.50	08	5.49 [139.4]	4.53 [115.1]	4.06 [103.1]	0.28 [7.1]	3.50 [88.9]	0.62 [15.7]	2.38 [60.5]
00.75	08	6.28 [159.5]	4.53 [115.1]	5.56 [141.2]	0.61 [15.5]	4.25 [108.0]	0.500-13 UNC-28	2.75 [69.9]
01.00	16	9.17 [232.9]	6.31 [160.3]	5.56 [141.2]	0.53 [13.5]	4.25 [108.0]	0.62 [15.7]	3.12 [79.3]
01.25	16	10.03 [254.8]	6.31 [160.3]	6.56 [166.6]	0.86 [21.8]	5.00 [127.0]	0.62 [15.7]	3.50 [88.9]
01.50	16	10.03 [254.8]	6.31 [160.3]	6.56 [166.6]	0.86 [21.8]	5.00 [127.0]	0.62 [15.7]	3.88 [98.6]
* 02.00	16 DR	10.58 [268.7]	6.31 [160.3]	7.56 [192.0]	0.88 [22.4]	6.00 [152.4]	0.75 [19.1]	4.75 [120.7]
* 02.00	16 DB,RV				1.12 [28.4]			

NOTES:  
 1. VALVE IS BI-DIRECTIONAL (NO FLOW ARROW).  
 \* 2. STROKE OF 02.00 VALVE WITH DIRECT ACTING (A116) IS REDUCED TO 0.88 [22.4]. ALL OTHER 02.00 VALVES HAVE STANDARD 1.12 [28.4] STROKE.



UNLESS OTHERWISE SPECIFIED, DIMENSIONS NOT SHOWN IN BRACKETS [ ] ARE IN INCHES. DIMENSIONS SHOWN IN BRACKETS [ ] ARE IN MILLIMETERS.

ENGRD VALVES ORDER: -	ITEM: -	DATE	BY	VALVE OUTLINE
FIGURE NO.: -		DWN 01/30/15	DJS	WEIR 00.50 THRU 02.00
CUSTOMER: -		CHKD 01/30/15	STD	ADVANTAGE ACTR SERIES 05-16
CUSTOMER P.O.: -		APVD 01/30/15	STD	STN STL BONNET
				BODY W/FLANGED ENDS
				GLASS LINED
				MASTER DWG: 010014-1/1/A
				ECON# 15734
				ISSUED BY: -
				CERT BY: -



Engineered Valves  
www.engvalves.com

SHEET 1 OF 1  
REV -