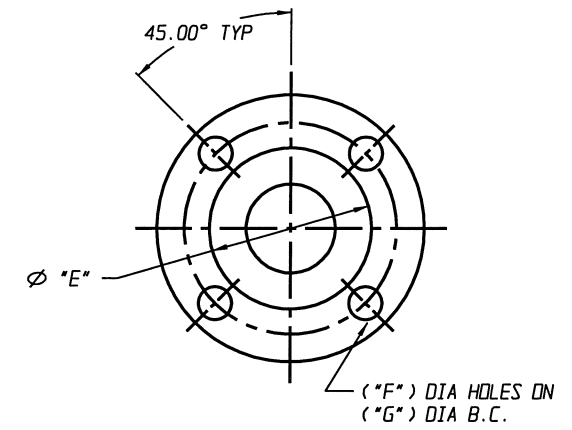
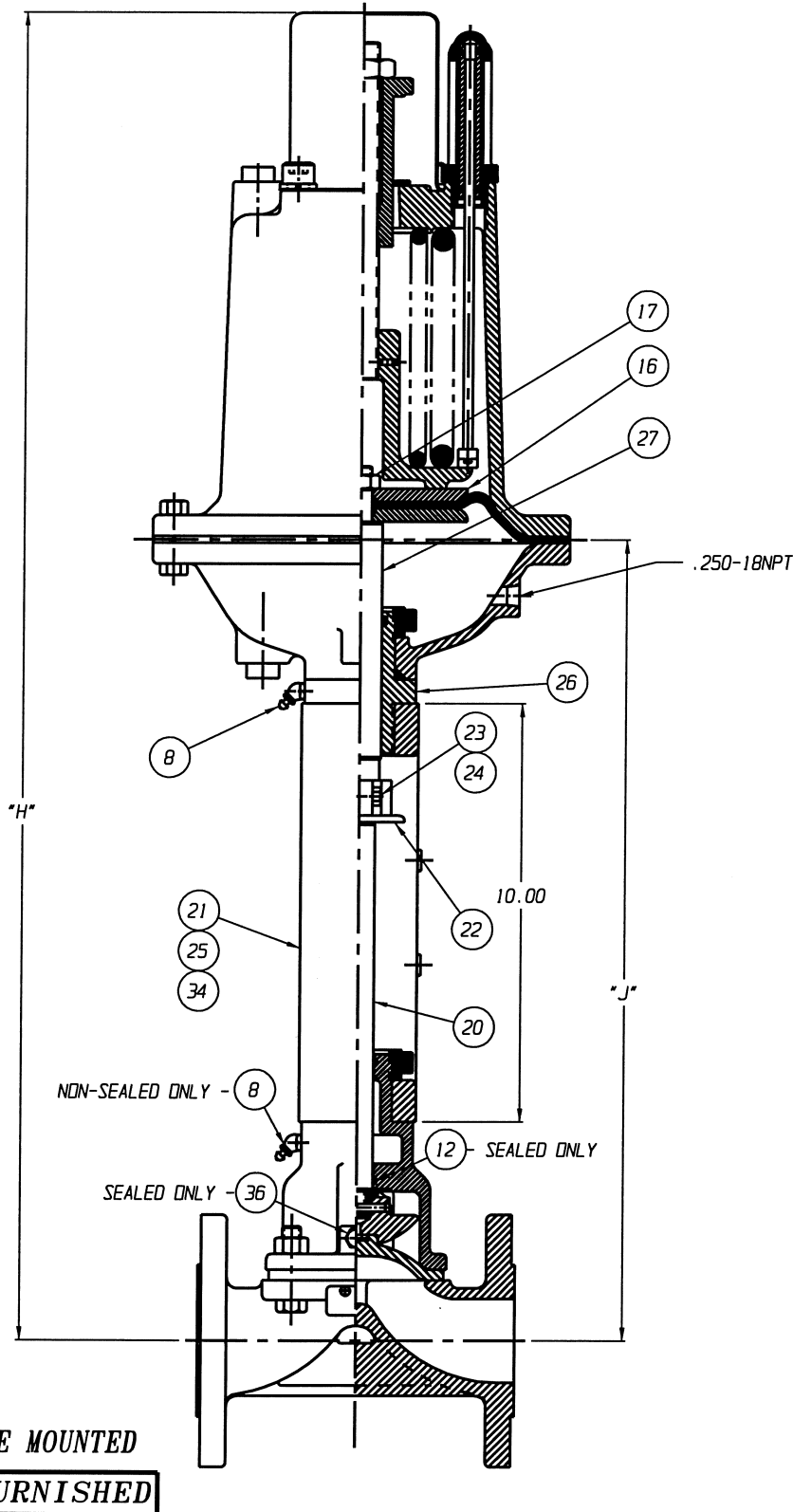
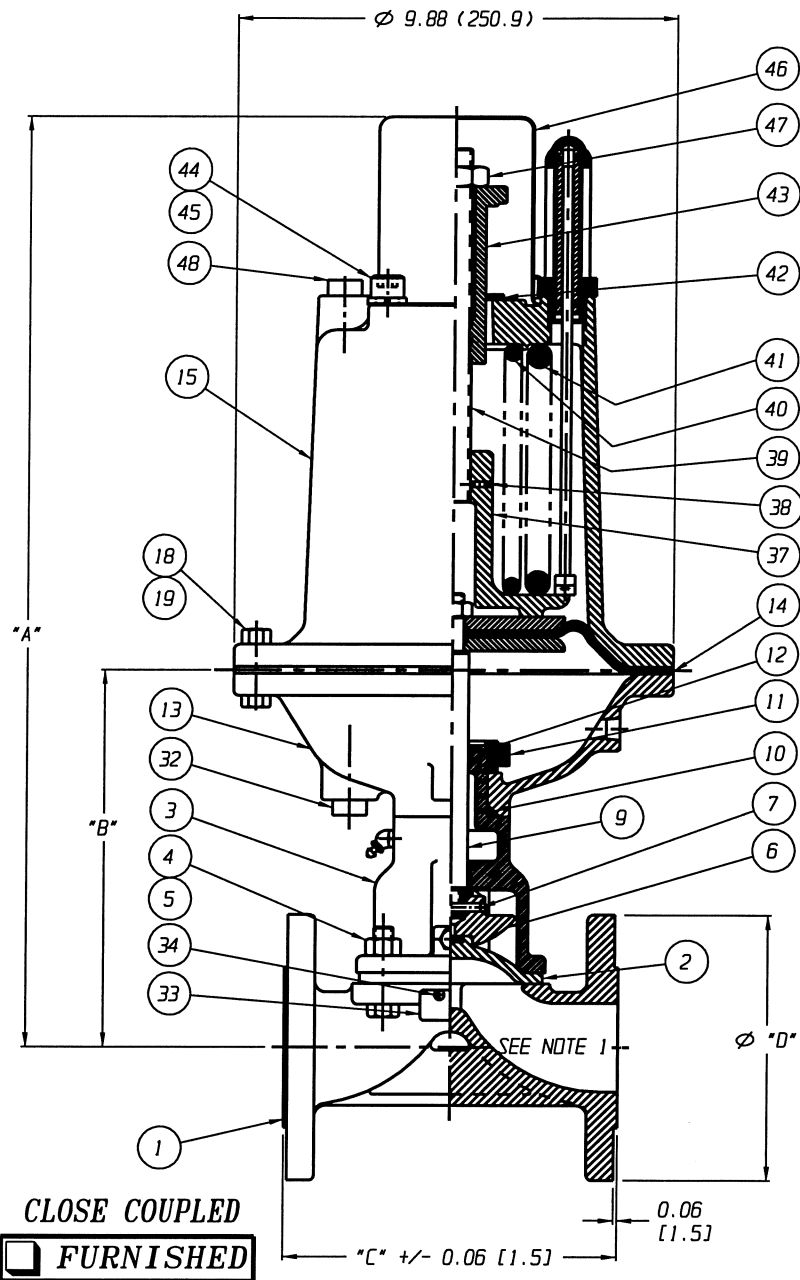


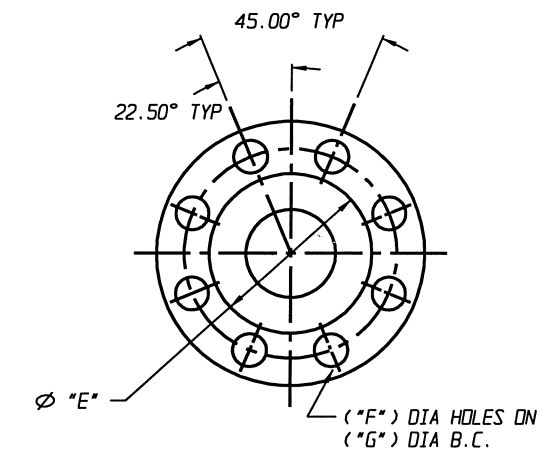
NOTES:
1. VALVE IS BIDIRECTIONAL (NO FLOW ARROW).

POSITION INDICATOR IS SHOWN 90° FROM TRUE POSITION



00.50 - 03.00 FLANGE

FURNISHED



04.00 FLANGE

FURNISHED

ENGRD VALVES ORDER: - ITEM: -
SHEET - OF -
FIGURE NO.: -
CUSTOMER: -
CUSTOMER P.O.: -
ISSUED BY: _____ CERTIFIED BY: _____

THIRD ANGLE PROJECTION		DATE	BY
	DWN	1/18/06	JLW
	CHKD	1/18/06	STD
	APVD	1/18/06	STD

VALVE ASSEMBLY
WEIR 00.50 - 04.00
#25 REVERSE ACTUATOR
W/ FLANGED RAISED FACE
ENDS



Engineered Valves Lancaster, PA USA

ECN# 10260

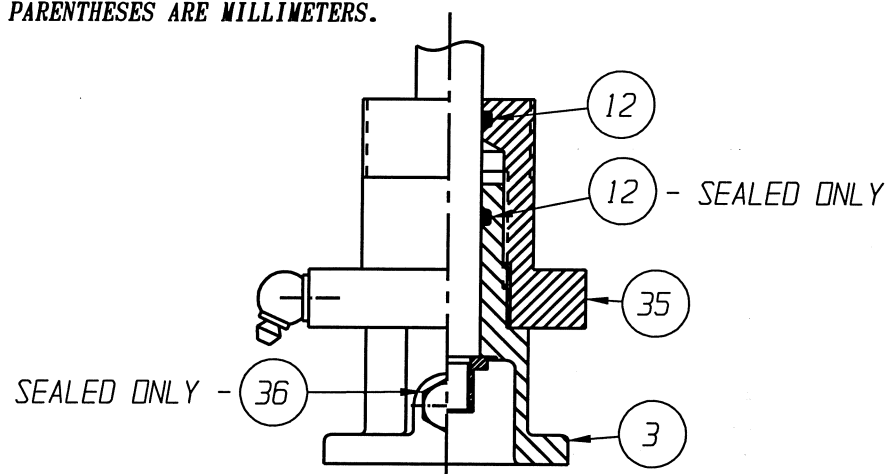
UNLESS OTHERWISE SPECIFIED,
ALL DIMENSIONS ARE IN INCHES

CS	D	004083	REV
		SHEET 1 OF 2	C

www.engvalves.com

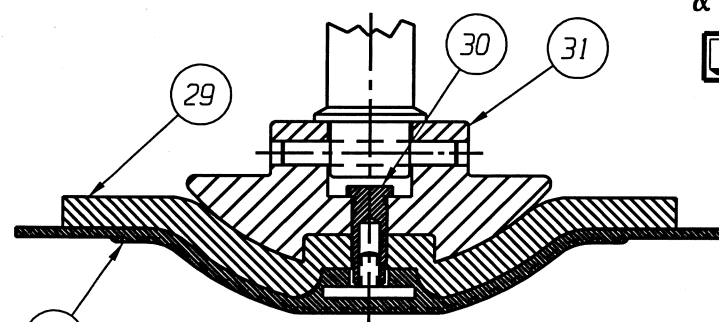
VALVE SIZE	'A'	'B'	'C'	'D' DIA	'E' DIA	'F' DIA	'G' DIA	'H'	'J'	QTY. BONNET CAP SCREWS, STUDS/NUTS	O-RING
00.50	18.52 (470.4)	6.00 (152.4)	4.00 (101.6)	3.50 (88.9)	1.38 (35.1)	0.63 (16.0)	2.38 (60.4)	29.09 (738.9)	16.57 (420.9)	4	#114
00.75	19.16 (486.7)	6.64 (168.6)	5.50 (139.7)	3.88 (98.5)	1.69 (42.9)	0.63 (16.0)	2.75 (69.8)	29.73 (755.1)	17.21 (437.1)	4	
01.00				4.25 (107.9)	2.00 (50.8)	0.63 (16.0)	3.12 (79.2)				
01.25	20.64 (524.3)	8.12 (206.2)	6.50 (165.1)	5.00 (127.0)	2.50 (63.5)	0.63 (16.0)	3.50 (88.9)	31.21 (792.7)	18.69 (474.7)	4	#116
01.50					2.88 (73.2)		3.88 (98.6)				
02.00	21.12 (536.4)	8.60 (218.4)	7.50 (190.5)	6.00 (152.4)	3.62 (91.9)	0.75 (19.0)	4.75 (120.6)	31.69 (804.9)	19.17 (486.9)	4	
02.50	22.15 (562.6)	9.63 (244.6)	8.50 (215.9)	7.00 (177.8)	4.12 (104.6)	0.75 (19.0)	5.50 (139.7)	32.72 (831.1)	20.20 (513.1)	4	
03.00	22.44 (569.9)	9.92 (251.9)	10.00 (254.0)	7.50 (190.5)	5.00 (127.0)	0.75 (19.0)	6.00 (152.4)	33.01 (838.5)	20.49 (520.4)	4	#214
04.00	23.86 (606.0)	11.34 (288.0)	12.50 (317.5)	9.00 (228.6)	6.19 (157.2)	0.75 (19.0)	7.50 (190.5)	34.43 (874.5)	21.91 (556.5)	8	

DIMENSIONS SHOWN IN () PARENTHESES ARE MILLIMETERS.



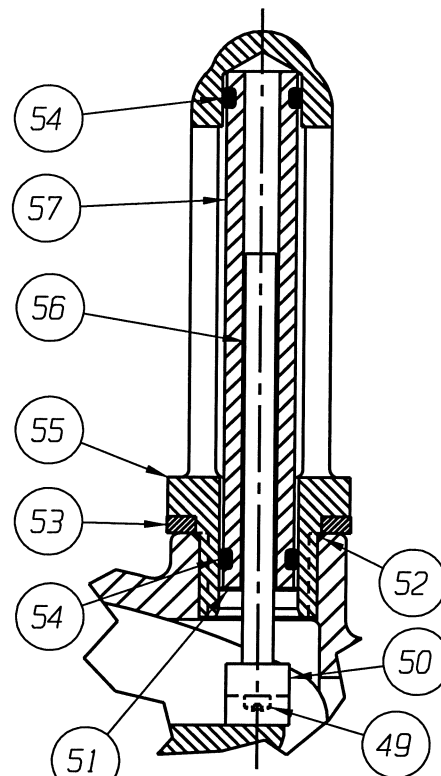
BONNET W/ADAPTER SPOOL
00.50 THRU 01.00 CLOSE COUPLED
& YOKE MOUNTED

FURNISHED



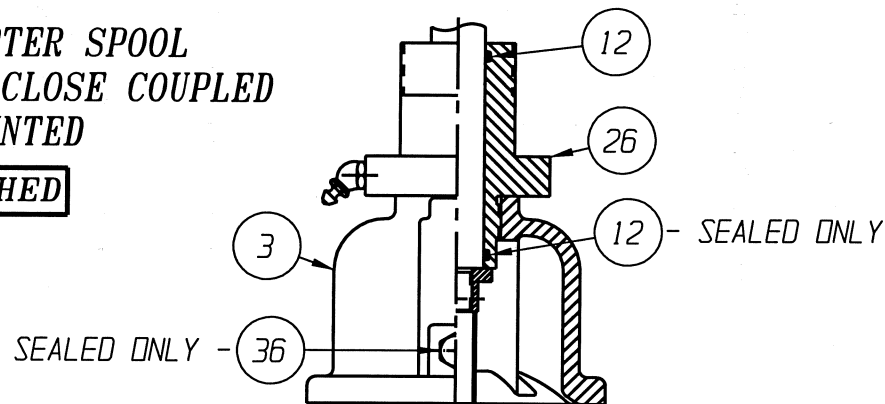
PTFE DIAPHRAGM

FURNISHED



DETAIL
POSITION INDICATOR
(OPTIONAL)

FURNISHED



S.S. BONNET W/ADAPTER BUSHING
01.25 THRU 04.00 CLOSE COUPLED
& YOKE MOUNTED

FURNISHED

LIST OF PARTS			
ITEM	DESCRIPTION	MATERIAL	QTY.
1	BODY, FLANGED RAISED FACE	-	1
2	DIAPHRAGM, ELASTOMER	-	1
3	BONNET, ADAPTER	-	1
4	HEX, CAP SCREWS OR STUDS	-	SEE CHART
5	NUTS	-	SEE CHART
6	COMPRESSOR, F/ ELASTOMER DIAPHRAGM	-	1
7	PIN, SPIROL	STN. STL. TYPE 302	1
8	FITTING, LUBE #1744-B	-	AR
9	SPINDLE, VALVE	STN. STL. A-582, TYPE 303	1
* 10	O-RING #326	BUINA-N	1
11	NUT, ADAPTER BUSHING	M.I. A-47, GR. 32510	AR
* 12	O-RING 'SEE CHART'	BUINA-N	AR
13	COVER, LOWER	ALUMINUM	1
* 14	DIAPHRAGM, AIR MOTOR	BUINA-N	1
15	COVER, UPPER	ALUMINUM	1
16	PLATE, ACTUATOR	C.I. A-126, CL. B	2
17	NUT, HEX JAM	CAR. STL.	1
18	SCREW, HEX HD. CAP	CAR. STL.	9
19	NUT, HEX	CAR. STL.	9
20	SPINDLE, VALVE YOKE	STN. STL. A-582, TYPE 303	1
21	YOKE	D.I. A-395, GR. 60-40-18	1
22	COUPLING, HALF	STN. STL. A-351, GR. CFB	2
23	SCREW, HEX HD. CAP	CAR. STL.	2
24	NUT, HEX	CAR. STL.	2
25	SCALE, INDICATING	STN. STL.	1
26	BUSHING, ADAPTER	CAR. STL. A-108, GR. 12L14	AR
27	SPINDLE, ACTUATOR	STN. STL. A-582, TYPE 302	1
* 28	DIAPHRAGM, PTFE	R2	1
* 29	CUSHION, BACKING	ELASTOMER	1
30	NUT, TUBE	BRASS B-16, C36000 H02	1
31	COMPRESSOR, F/ PTFE DIAPHRAGM	-	1
32	PLUG, PIPE	CAR. STL. A-181, GR. 1	1
33	PLATE, IDENTIFICATION	STN. STL. A-240, TYPE 304	1
34	SCREW, DRIVE TYPE U	CAR. STL. SAE GR. 2	4
35	SPOOL, ADAPTER	CAR. STL. A-108, GR. 12L14	1
36	PLUG, VENT	STN. STL. TYPE 304	1
37	SEAT, SPRING	C.I. ASTM A126 CL. B	1
38	PIN, SPIROL (SPRING SEAT)	STN. STL. AISI 302	1
39	ROD, SPRING	CAR. STL. ASTM A108	1
40	SPRING NO. 102A	STEEL ASTM A229	1
41	SPRING NO. 101	STEEL ASTM A689	1
42	WASHER, THRUST	CAR. STL. AISI 1010	1
43	BUSHING, ADJUSTING	D.I. ASTM A395 GR.60-40-18	1
44	SCREW, HEX. SOC. HD. CAP	CAR. STL.	2
45	WASHER, SPRINGLOCK	CAR. STL.	2
46	SHIELD, TRAVEL STOP	CAR. STL.	1
47	NUT, HEX. JAM	CAR. STL. SAE GR. 2	1
48	PLUG, PIPE	PLASTIC	2
49	SCREW, MACHINE FILLISTER HD.	STN. STL. 18-8	1
50	MAGNET, CRUCIBLE U-181	-	1
* 51	RING, RETAINING	STEEL	1
52	O-RING #115	BUINA-N	1
* 53	SPACER, INDICATOR HOUSING	ALUMINUM B-211	1
54	O-RING #110	BUINA-N	2
55	HOUSING, INDICATOR	ALUMINUM B-26	1
56	ROD, INDICATOR	ALUMINUM B-211	1
57	TUBE, INDICATOR	PLASTIC	1

* RECOMMENDED SPARE PARTS

ENGRD VALVES ORDER: - _____ ITEM: - _____
 SHEET - _____ OF - _____
 FIGURE NO.: - _____
 CUSTOMER: - _____
 CUSTOMER P.O.: - _____
 ISSUED BY: _____ CERTIFIED BY: _____

THIRD ANGLE PROJECTION	DATE	BY
	1/18/06	JLW
	1/18/06	STD
	1/18/06	STD

VALVE ASSEMBLY
WEIR 00.50 - 04.00
#25 REVERSE ACTUATOR
W/ FLANGED RAISED FACE
ENDS



Engineered Valves Lancaster, PA USA

CS D 004083 REV C
SHEET 2 OF 2

ECN# 10260

UNLESS OTHERWISE SPECIFIED,
ALL DIMENSIONS ARE IN INCHES