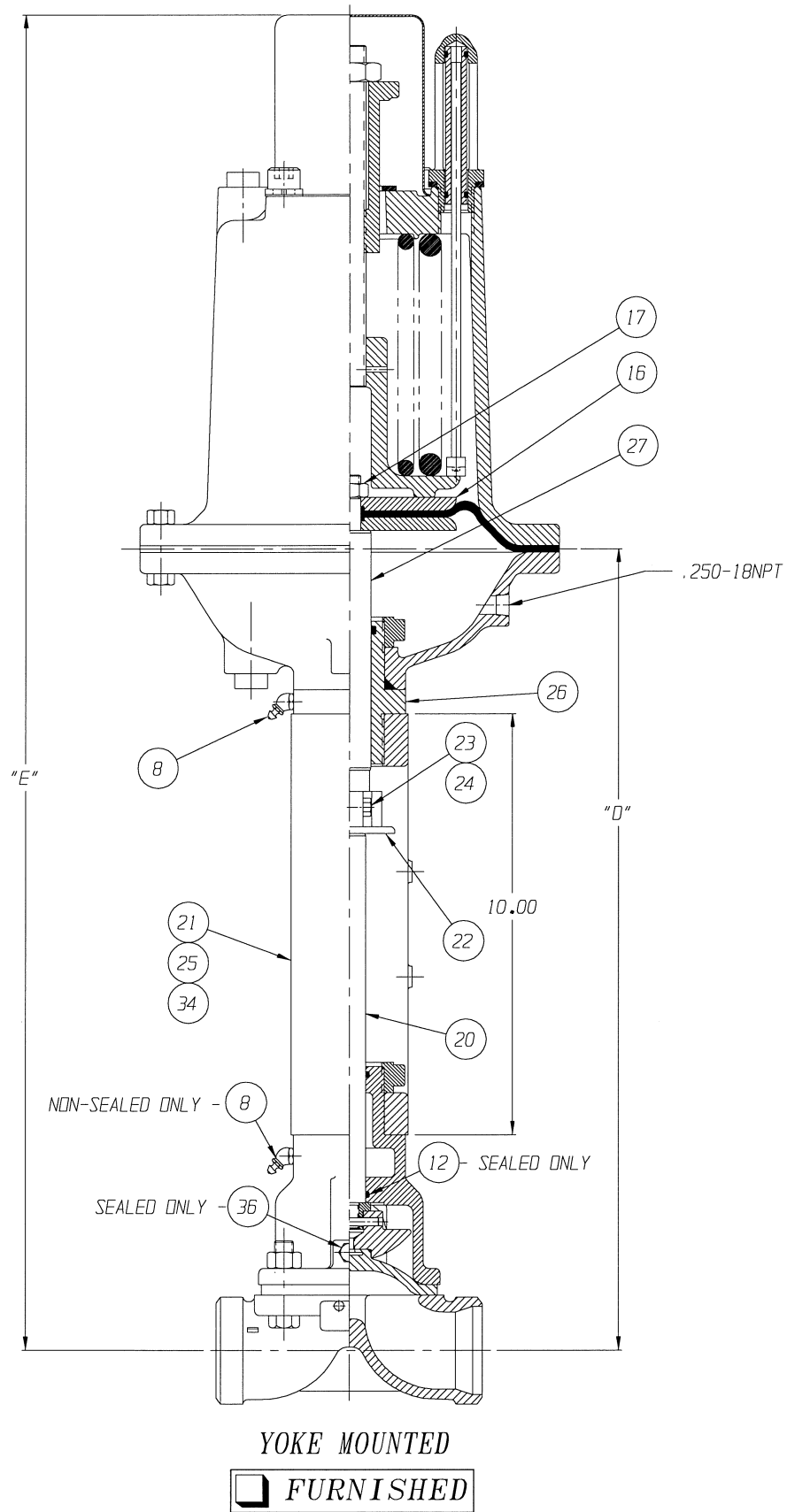
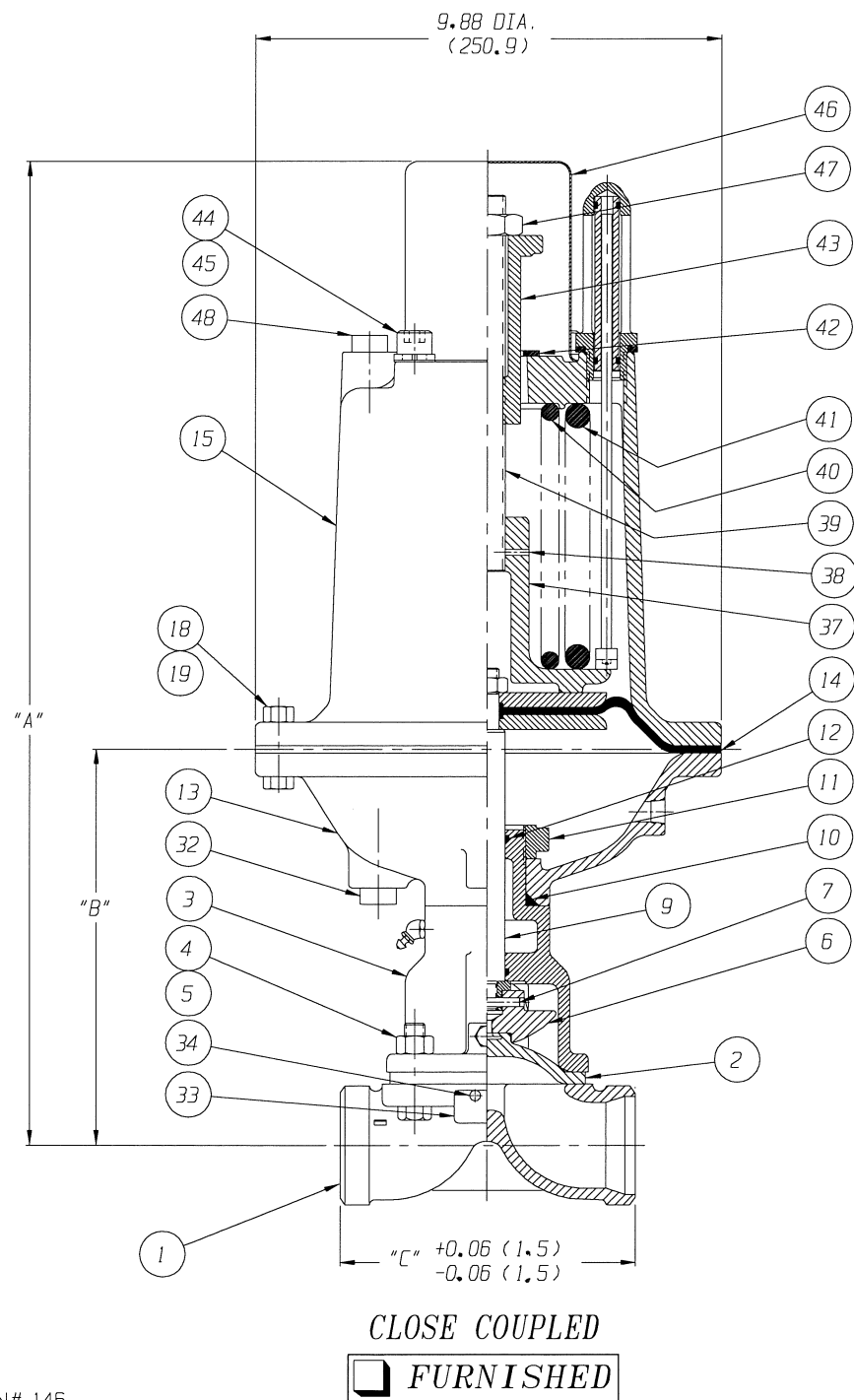


POSITION INDICATOR IS SHOWN 90° FROM TRUE POSITION



ITEM \_\_\_\_\_ SHEET \_\_\_\_ OF \_\_\_\_

SIZE \_\_\_\_\_ FIG.NO. \_\_\_\_\_

ECN# 146

ITT ENGRD VLVS ORDER: \_\_\_\_\_  
 CUSTOMER: \_\_\_\_\_  
 CUSTOMER P.O.: \_\_\_\_\_  
 ISSUED BY: \_\_\_\_\_ CERTIFIED BY: \_\_\_\_\_

REV	DATE	ECN NBR	BY	CHKD	APVD	DATE	BY
-	-	-	-	-	-	DATE	BY
-	-	-	-	-	-	DWN 04/30/96	JRD
-	-	-	-	-	-	CHKD 04/30/96	JLW
A	12/17/97	3231	DLH	JLW	KEH	APVD 05/01/96	RRK

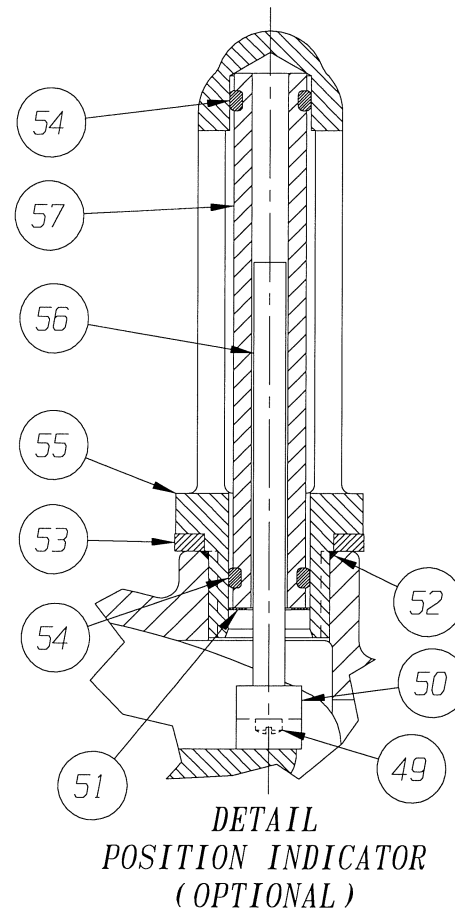
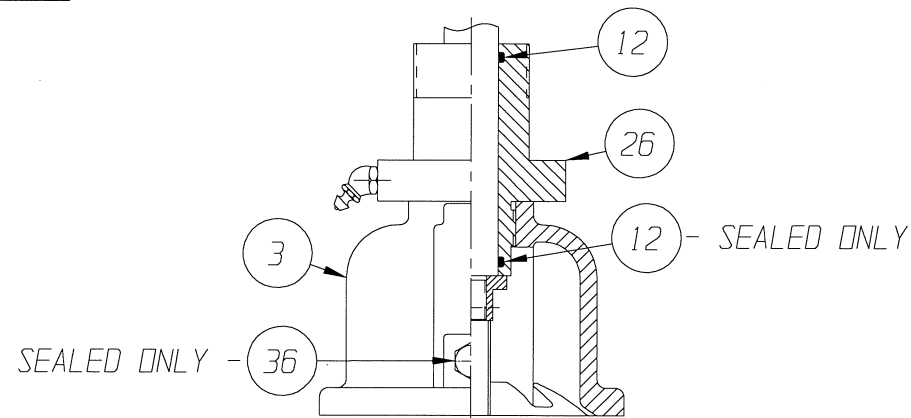
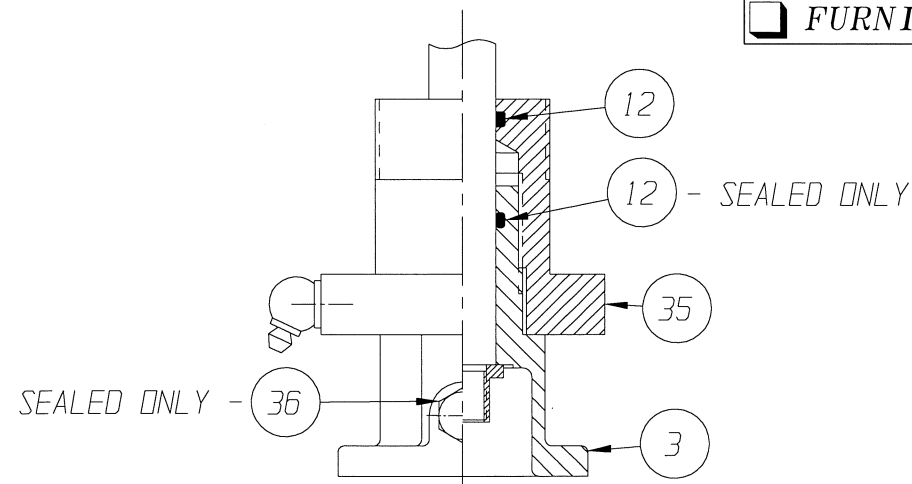
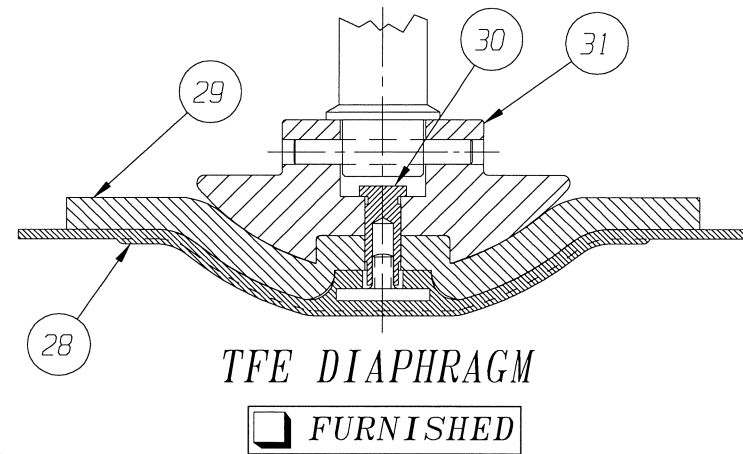
VALVE ASSEMBLY  
 WEIR 00.50 THRU 04.00  
 #25 REVERSE ACTUATOR  
 WITH BUTTWELD ENDS (PIPE)

**ITT Engineered Valves**  
 ITT Fluid Technology Corporation  
 Lancaster, Pa

CS	D	004084	REV A
		SHEET 1 OF 2	

VALVE SIZE	'A'	'B'	'C'	'D'	'E'	QTY. BONNET CAP SCREWS, STUDS/NUTS	O-RING
00.50	18.51 (470.1)	5.98 (151.9)	3.50 (88.9)	16.54 (420.1)	29.07 (738.4)	4	#114
00.75	18.61 (472.7)	6.08 (154.5)	4.00 (101.6)	16.64 (422.6)	29.17 (740.9)	4	
01.00	19.23 (488.4)	6.95 (176.5)	4.50 (114.3)	17.42 (442.5)	29.94 (760.5)	4	
01.25 & 01.50	20.68 (525.3)	8.15 (207.1)	5.50 (139.7)	18.72 (475.5)	31.25 (793.7)	4	#116
02.00	21.13 (536.7)	8.60 (218.4)	6.25 (158.8)	19.17 (486.9)	31.70 (805.2)	4	#214
02.50	22.18 (563.4)	9.65 (245.1)	7.62 (193.5)	20.22 (513.6)	32.75 (831.8)	4	
03.00	22.45 (570.2)	9.92 (252.9)	8.75 (222.2)	20.48 (520.2)	33.01 (838.4)	4	
04.00	23.78 (604.0)	11.25 (285.9)	11.50 (292.1)	21.81 (553.9)	34.34 (872.2)	8	

DIMENSIONS SHOWN IN ( ) PARENTHESES ARE MILLIMETERS.



LIST OF PARTS			
ITEM	DESCRIPTION	MATERIAL	QTY.
1	BODY, BUTTWELD PIPE	-	1
* 2	DIAPHRAGM, ELASTOMER	-	1
3	BONNET, ADAPTER	-	1
4	HEX, CAP SCREWS OR STUDS	-	SEE CHART
5	NUTS	-	SEE CHART
6	COMPRESSOR, F/ ELASTOMER DIAPHRAGM	-	1
7	PIN, SPIROL	STN. STL. TYPE 302	1
8	FITTING, LUBE #1744-B	-	AR
9	SPINDLE, VALVE	STN. STL. A-582, TYPE 303	1
* 10	O-RING #326	BUNA-N	1
11	NUT, ADAPTER BUSHING	M.I. A-47, GR. 32510	AR
* 12	O-RING 'SEE CHART'	BUNA-N	AR
13	COVER, LOWER	ALUMINUM	1
* 14	DIAPHRAGM, AIR MOTOR	BUNA-N	1
15	COVER, UPPER	ALUMINUM	1
16	PLATE, ACTUATOR	C.I. A-126, CL. B	2
17	NUT, HEX JAM	CAR. STL.	1
18	SCREW, HEX HD. CAP	CAR. STL.	9
19	NUT, HEX	CAR. STL.	9
20	SPINDLE, VALVE YOKE	STN. STL. A-582, TYPE 303	1
21	YOKE	D.I. A-395, GR. 60-40-18	1
22	COUPLING, HALF	STN. STL. A-351, GR. CFB	2
23	SCREW, HEX HD. CAP	CAR. STL.	2
24	NUT, HEX	CAR. STL.	2
25	SCALE, INDICATING	STN. STL.	1
26	BUSHING, ADAPTER	CAR. STL. A-108, GR. 12L14	AR
27	SPINDLE, ACTUATOR	STN. STL. A-582, TYPE 302	1
* 28	DIAPHRAGM, PTFE	R2	1
* 29	CUSHION, BACKING	ELASTOMER	1
30	NUT, TUBE	BRASS B-16, C36000 H02	1
31	COMPRESSOR, F/ PTFE DIAPHRAGM	-	1
32	PLUG, PIPE	CAR. STL. A-181, GR. 1	1
33	PLATE, IDENTIFICATION	STN. STL. A-240, TYPE 304	1
34	SCREW, DRIVE TYPE U	CAR. STL. SAE GR. 2	4
35	SPOOL, ADAPTER	CAR. STL. A-108, GR. 12L14	1
36	PLUG, VENT	STN. STL. TYPE 304	1
37	SEAT, SPRING	C.I. ASTM A126 CL. B	1
38	PIN, SPIROL (SPRING SEAT)	STN. STL. AISI 302	1
39	ROD, SPRING	CAR. STL. ASTM A108	1
40	SPRING NO. 102A	STEEL ASTM A229	1
41	SPRING NO. 101	STEEL ASTM A689	1
42	WASHER, THRUST	CAR. STL. AISI 1010	1
43	BUSHING, ADJUSTING	D.I. ASTM A395 GR.60-40-18	1
44	SCREW, HEX. SOC. HD. CAP	CAR. STL.	2
45	WASHER, SPRINGLOCK	CAR. STL.	2
46	SHIELD, TRAVEL STOP	CAR. STL.	1
47	NUT, HEX. JAM	CAR. STL. SAE GR. 2	1
48	PLUG, PIPE	PLASTIC	2
49	SCREW, MACHINE FILLISTER HD.	STN. STL. 18-8	1
50	MAGNET, CRUCIBLE U-181	-	1
* 51	RING, RETAINING	STEEL	1
52	O-RING #115	BUNA-N	1
* 53	SPACER, INDICATOR HOUSING	ALUMINUM B-211	1
54	O-RING #110	BUNA-N	2
55	HOUSING, INDICATOR	ALUMINUM B-26	1
56	ROD, INDICATOR	ALUMINUM B-211	1
57	TUBE, INDICATOR	PLASTIC	1

\* RECOMMENDED SPARE PARTS

ITEM \_\_\_\_\_ SHEET \_\_\_\_\_ OF \_\_\_\_\_

ECN# 146

NOTE:  
 ▲ 1. 02.50" FORGING USES SAME DIMENSIONAL DATA AS 03.00".

ITT ENGRD VLVS ORDER: \_\_\_\_\_  
 CUSTOMER: \_\_\_\_\_  
 CUSTOMER P.O.: \_\_\_\_\_  
 ISSUED BY: \_\_\_\_\_ CERTIFIED BY: \_\_\_\_\_

REV	DATE	ECN NBR	BY	CHKD	APVD	DATE	BY
-	-	-	-	-	-	DATE	BY
-	-	-	-	-	-	DWN	04/30/96 JRD
-	-	-	-	-	-	CHKD	04/30/96 JLW
A	12/17/97	3231	DLH	JLW	KEH	APVD	05/01/96 RRK

VALVE ASSEMBLY  
 WEIR 00.50 THRU 04.00  
 #25 REVERSE ACTUATOR  
 WITH BUTTWELD ENDS (PIPE)

**ITT Engineered Valves**  
 ITT Fluid Technology Corporation  
 Lancaster, Pa

CS D 004084 REV A  
 SHEET 2 OF 2