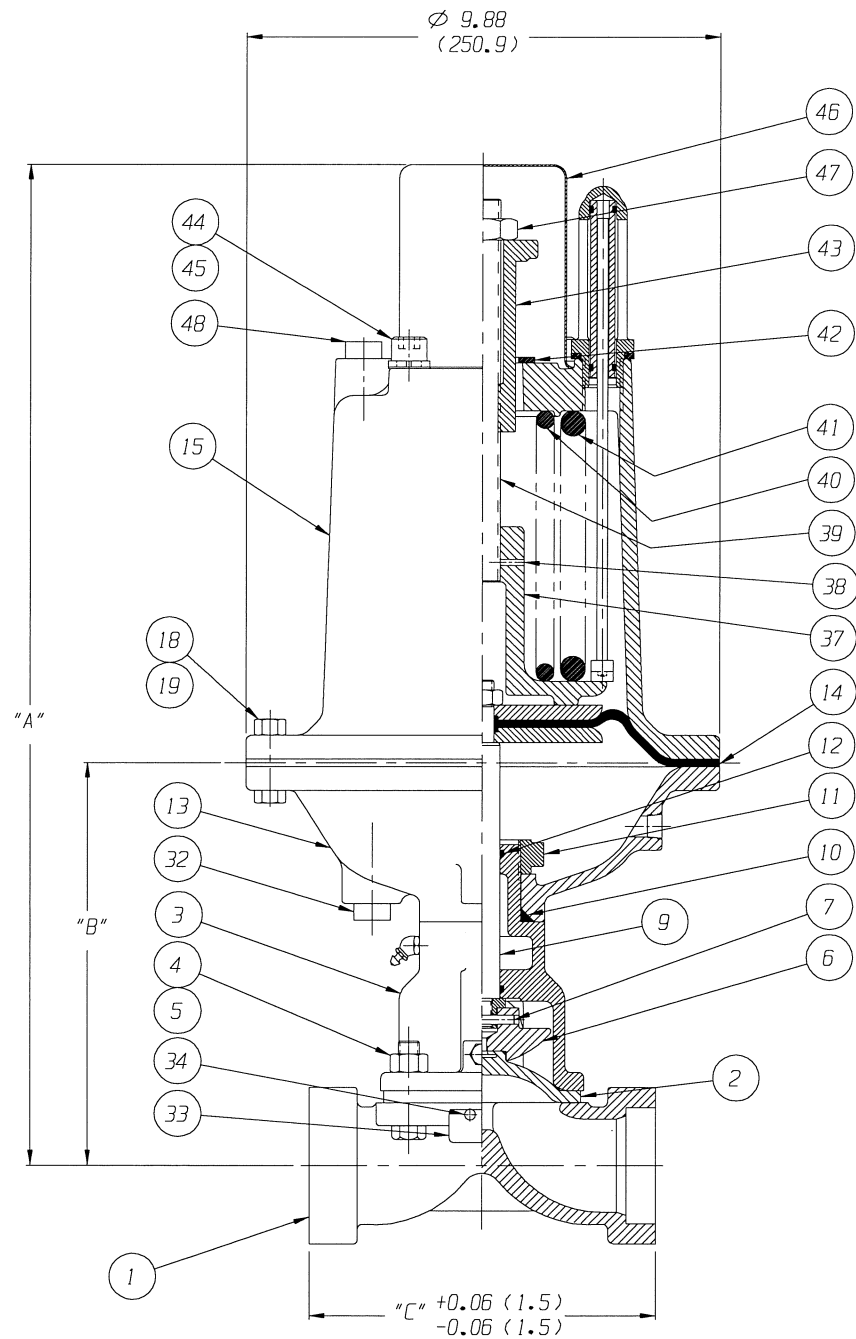
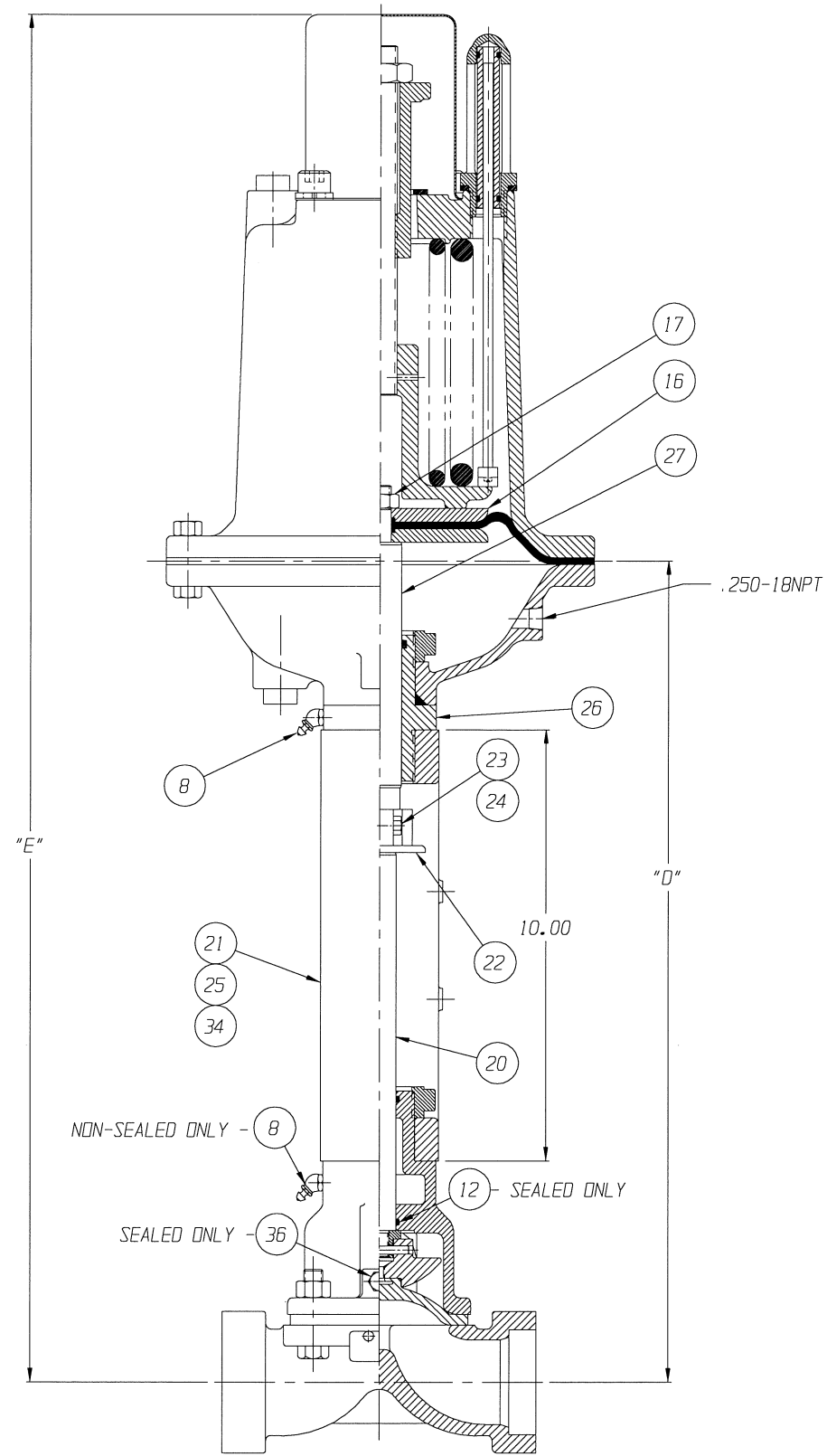


POSITION INDICATOR IS SHOWN 90° FROM TRUE POSITION



CLOSE COUPLED

FURNISHED



YOKE MOUNTED

FURNISHED

ITEM \_\_\_\_\_ SHEET \_\_\_\_\_ OF \_\_\_\_\_

SIZE \_\_\_\_\_ FIG. NO. \_\_\_\_\_

ECN# 146

ITT ENGRD VLVS ORDER: \_\_\_\_\_

CUSTOMER: \_\_\_\_\_

CUSTOMER P.O.: \_\_\_\_\_

ISSUED BY: \_\_\_\_\_ CERTIFIED BY: \_\_\_\_\_

REV	DATE	ECN NBR	BY	CHKD	APVD	DATE	BY
-	-	-	-	-	-	DATE	BY
-	-	-	-	-	-	DWN 04/30/96	JRD
-	-	-	-	-	-	CHKD 05/01/96	JLW
A	12/17/97	3231	DLH	JLW	KEH	APVD 05/01/96	RRK

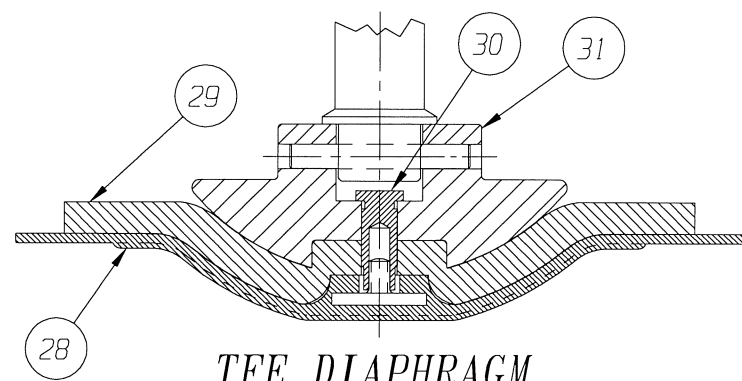
VALVE ASSEMBLY  
WEIR 00.50 THRU 03.00  
#25 REVERSE ACTUATOR  
WITH SOCKET WELD ENDS

**ITT Engineered Valves**  
ITT Fluid Technology Corporation  
Lancaster, Pa

CS D 004087 SHEET 1 OF 2 REV A

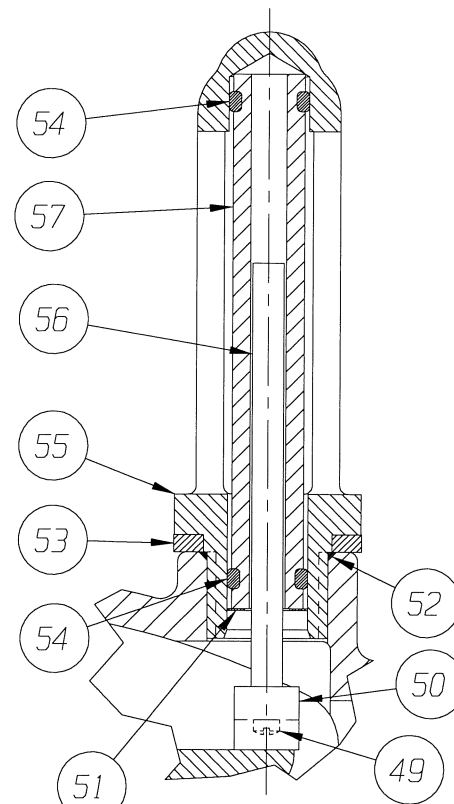
VALVE SIZE	'A'	'B'	'C'	'D'	'E'	O-RING
00.50	18.51 (470.1)	5.98 (151.9)	3.50 (88.9)	16.54 (420.1)	29.07 (738.4)	#114
00.75	18.61 (472.7)	6.08 (154.5)	4.00 (101.6)	16.64 (422.6)	29.17 (740.9)	
01.00	19.23 (488.4)	6.95 (176.5)	4.50 (114.3)	17.42 (442.5)	29.94 (760.3)	
01.25 & 01.50	20.68 (525.3)	8.15 (207.1)	6.50 (165.1)	18.72 (475.5)	31.25 (793.7)	#116
02.00	21.13 (536.7)	8.60 (218.4)	7.25 (184.1)	19.17 (486.9)	31.70 (805.2)	#214
02.50	22.18 (563.4)	9.65 (245.1)	8.38 (212.8)	20.22 (513.6)	32.75 (831.8)	
03.00	22.45 (570.2)	9.92 (252.9)	9.75 (247.6)	20.48 (520.2)	33.01 (838.4)	

DIMENSIONS SHOWN IN ( ) PARENTHESES ARE MILLIMETERS.



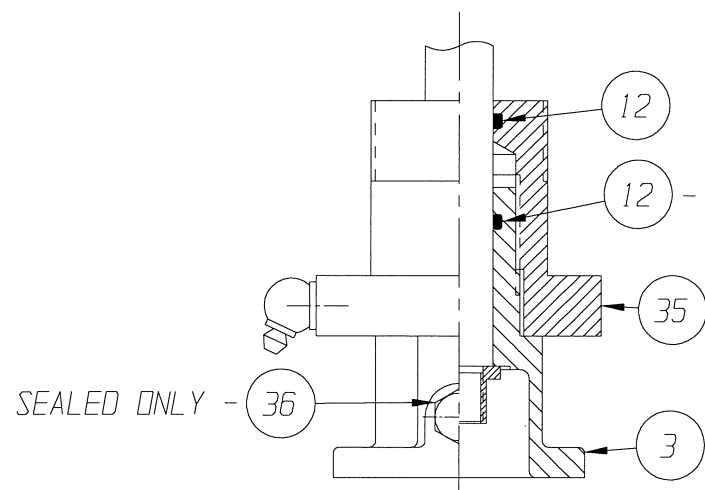
TFE DIAPHRAGM

FURNISHED



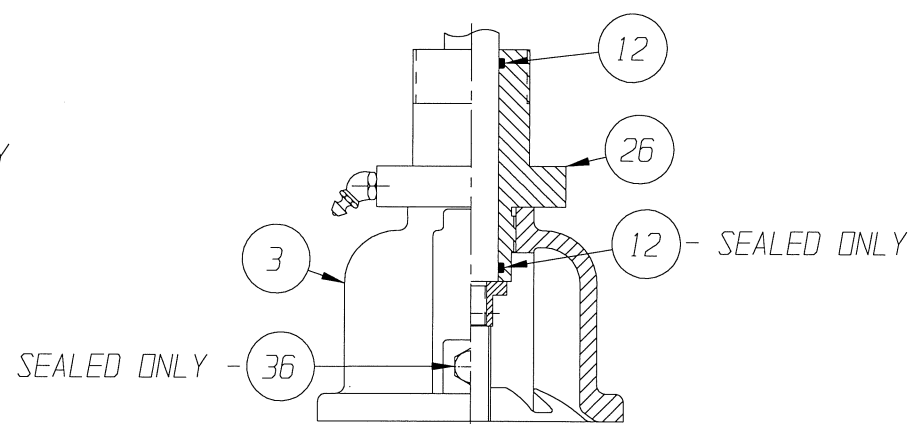
DETAIL  
POSITION INDICATOR  
(OPTIONAL)

FURNISHED



BONNET W/ADAPTER SPOOL  
00.50 THRU 01.00 CLOSE COUPLED  
& YOKE MOUNTED.

FURNISHED



S.S. BONNET W/ADAPTER BUSHING  
01.25 THRU 03.00 CLOSE COUPLED  
& YOKE MOUNTED.

FURNISHED

LIST OF PARTS			
ITEM	DESCRIPTION	MATERIAL	QTY.
1	BODY, SOCKETWELD PIPE	-	1
* 2	DIAPHRAGM, ELASTOMER	-	1
3	BONNET, ADAPTER	-	1
4	HEX, CAP SCREWS OR STUDS	-	4
5	NUTS	-	4
6	COMPRESSOR, F/ ELASTOMER DIAPHRAGM	-	1
7	PIN, SPIROL	STN. STL. TYPE 302	1
8	FITTING, LUBE #1744-B	-	AR
9	SPINDLE, VALVE	STN. STL. A-582, TYPE 303	1
* 10	O-RING #326	BUNA-N	1
11	NUT, ADAPTER BUSHING	M.I. A-47, GR. 32510	AR
* 12	O-RING 'SEE CHART'	BUNA-N	AR
13	COVER, LOWER	ALUMINUM	1
* 14	DIAPHRAGM, AIR MOTOR	BUNA-N	1
15	COVER, UPPER	ALUMINUM	1
16	PLATE, ACTUATOR	C.I. A-126, CL. B	2
17	NUT, HEX JAM	CAR. STL.	1
18	SCREW, HEX HD. CAP	CAR. STL.	9
19	NUT, HEX	CAR. STL.	9
20	SPINDLE, VALVE YOKE	STN. STL. A-582, TYPE 303	1
21	YOKE	D.I. A-395, GR. 60-40-18	1
22	COUPLING, HALF	STN. STL. A-351, GR. CF8	2
23	SCREW, HEX HD. CAP	CAR. STL.	2
24	NUT, HEX	CAR. STL.	2
25	SCALE, INDICATING	STN. STL.	1
26	BUSHING, ADAPTER	CAR. STL. A-108, GR. 12L14	AR
27	SPINDLE, ACTUATOR	STN. STL. A-582, TYPE 302	1
* 28	DIAPHRAGM, PTFE	R2	1
* 29	CUSHION, BACKING	ELASTOMER	1
30	NUT, TUBE	BRASS B-16, C36000 H02	1
31	COMPRESSOR, F/ PTFE DIAPHRAGM	-	1
32	PLUG, PIPE	CAR. STL. A-181, GR. 1	1
33	PLATE, IDENTIFICATION	STN. STL. A-240, TYPE 304	1
34	SCREW, DRIVE TYPE U	CAR. STL. SAE GR. 2	4
35	SPOOL, ADAPTER	CAR. STL. A-108, GR. 12L14	1
36	PLUG, VENT	STN. STL. TYPE 304	1
37	SEAT, SPRING	C.I. ASTM A126 CL. B	1
38	PIN, SPIROL (SPRING SEAT)	STN. STL. AISI 302	1
39	ROD, SPRING	CAR. STL. ASTM A108	1
40	SPRING NO. 102A	STEEL ASTM A229	1
41	SPRING NO. 101	STEEL ASTM A689	1
42	WASHER, THRUST	CAR. STL. AISI 1010	1
43	BUSHING, ADJUSTING	D.I. ASTM A395 GR.60-40-18	1
44	SCREW, HEX. SOC. HD. CAP	CAR. STL.	2
45	WASHER, SPRINGLOCK	CAR. STL.	2
46	SHIELD, TRAVEL STOP	CAR. STL.	1
47	NUT, HEX. JAM	CAR. STL. SAE GR. 2	1
48	PLUG, PIPE	PLASTIC	2
49	SCREW, MACHINE FILLISTER HD.	STN. STL. 18-8	1
50	MAGNET, CRUCIBLE U-181	-	1
* 51	RING, RETAINING	STEEL	1
52	O-RING #115	BUNA-N	1
* 53	SPACER, INDICATOR HOUSING	ALUMINUM B-211	1
54	O-RING #110	BUNA-N	2
55	HOUSING, INDICATOR	ALUMINUM B-26	1
56	ROD, INDICATOR	ALUMINUM B-211	1
57	TUBE, INDICATOR	PLASTIC	1

\* RECOMMENDED SPARE PARTS

ITEM \_\_\_\_\_ SHEET \_\_\_\_\_ OF \_\_\_\_\_

ECN# 146

ITT ENGRD VLVS ORDER: \_\_\_\_\_  
 CUSTOMER: \_\_\_\_\_  
 CUSTOMER P.O.: \_\_\_\_\_  
 ISSUED BY: \_\_\_\_\_ CERTIFIED BY: \_\_\_\_\_

REV	DATE	ECN NBR	BY	CHKD	APVD	DATE	BY
-	-	-	-	-	-	04/30/96	JRD
-	-	-	-	-	-	05/01/96	JLW
A	12/17/97	3231	DLH	JLW	KEH	05/01/96	RRK

VALVE ASSEMBLY  
WEIR 00.50 THRU 03.00  
#25 REVERSE ACTUATOR  
WITH SOCKET WELD ENDS

**ITT Engineered Valves**

ITT Fluid Technology Corporation  
Lancaster, Pa

CS D 004087 REV A  
SHEET 2 OF 2