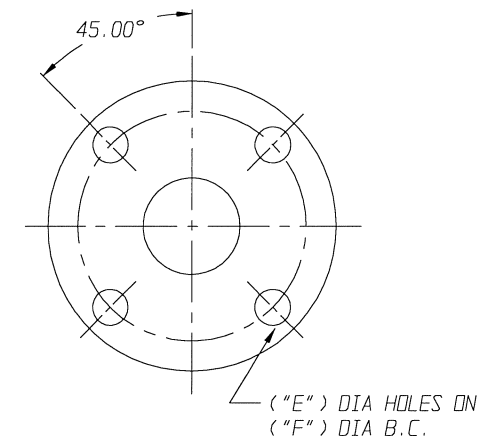
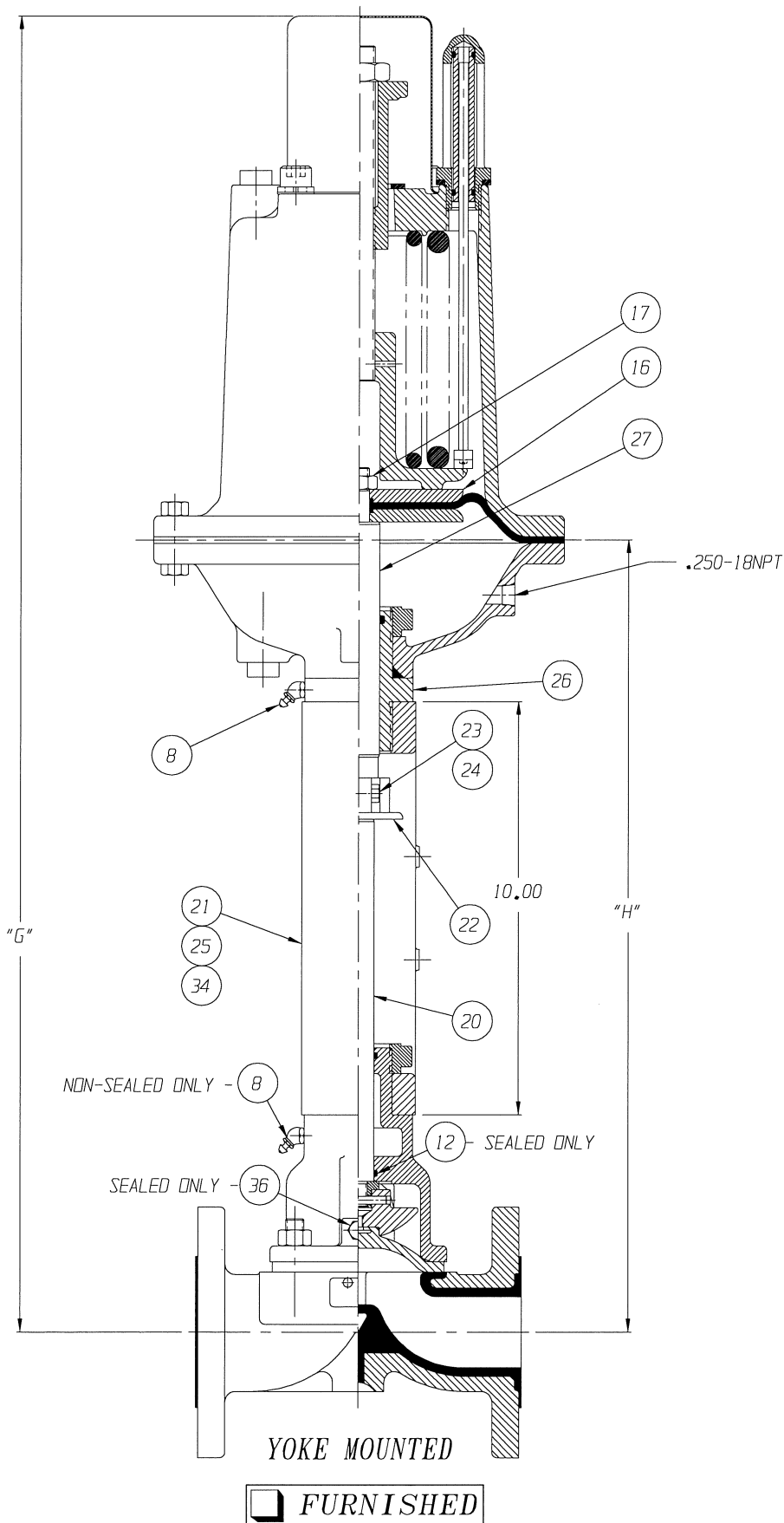
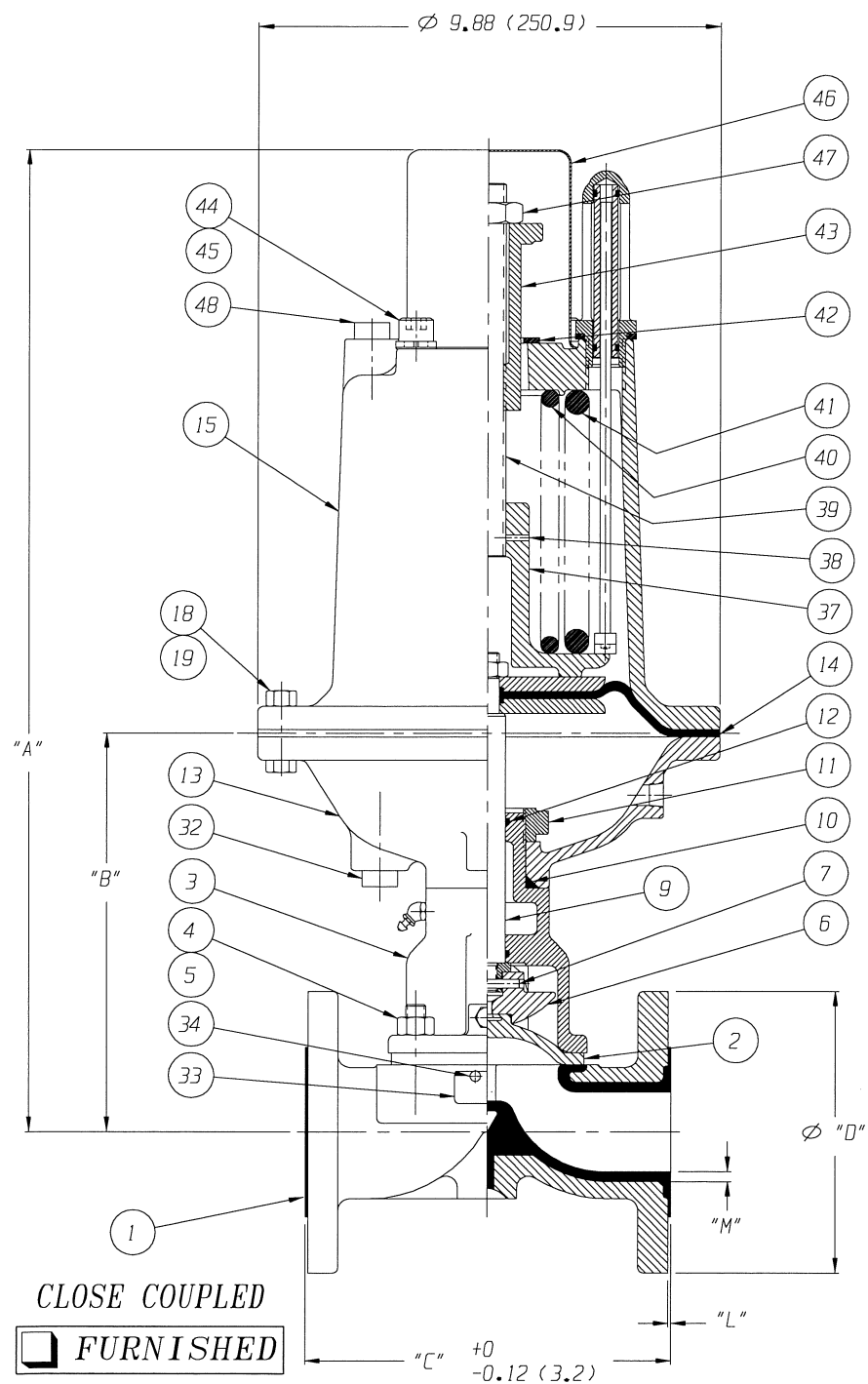
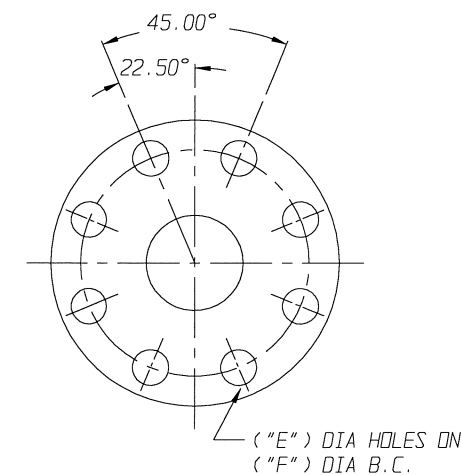


POSITION INDICATOR IS SHOWN 90° FROM TRUE POSITION



00.75 - 03.00 FLANGE

FURNISHED



04.00 FLANGE

FURNISHED

ITEM \_\_\_\_\_ SHEET \_\_\_\_ OF \_\_\_\_

SIZE \_\_\_\_\_ FIG.NO. \_\_\_\_\_

ECN# 146

ITT ENGRD VLVS ORDER: -

CUSTOMER: -

CUSTOMER P.O.: -

ISSUED BY: \_\_\_\_\_ CERTIFIED BY: \_\_\_\_\_

REV	DATE	ECN NBR	BY	CHKD	APVD	DATE	BY
-	-	-	-	-	-	DWN	04/30/96
B	12/17/97	3231	DLH	JLW	KEH	CHKD	04/30/96
A	5/28/97	2598	GTS	JLW	RRK	APVD	05/01/96

VALVE ASSEMBLY  
 WEIR 00.75 THRU 04.00  
 #25 REVERSE ACTUATOR  
 WITH FLANGED ENDS  
 PLASTIC LINED

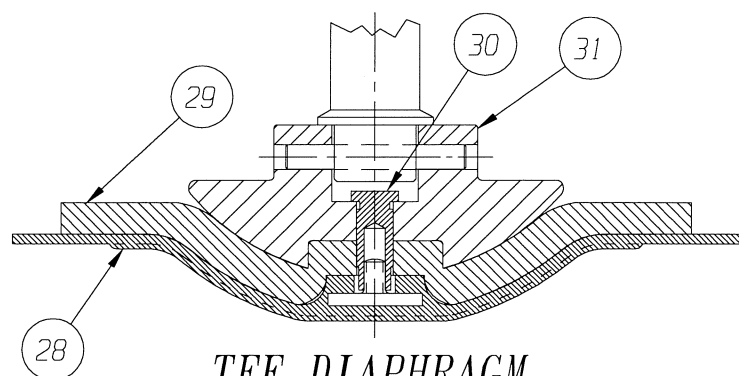
**ITT Engineered Valves**

ITT Fluid Technology Corporation  
Lancaster, Pa

CS D 004090  
 SHEET 1 OF 2  
 REV B

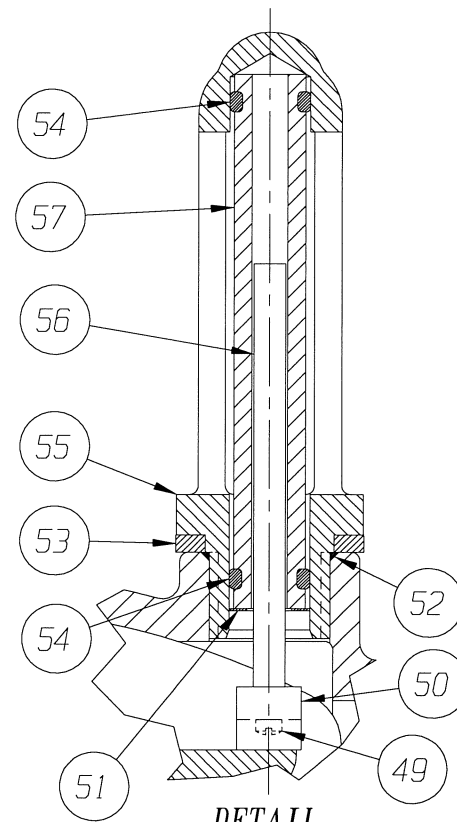
VALVE SIZE	'A'	'B'	'C'	'D' DIA	'E' DIA	'F' DIA	'G'	'H'	'L'	'M'	O-RING	QTY. BODY STUDS/NUTS
00.75	18.83 (478.3)	6.30 (160.0)	5.88 (149.4)	3.88 (98.5)	.500 - 13 UNC	2.75 (69.8)	29.39 (746.5)	16.86 (428.2)	0.06 (1.5)	0.19 (4.83)	#114	4
01.00	18.98 (482.1)	6.45 (163.8)		4.25 (107.9)	0.62 (15.7)	3.12 (79.2)	29.54 (750.3)	17.01 (432.1)	0.06 (1.5)	0.19 (4.83)		
01.25	20.69 (525.5)	8.16 (207.3)	6.94 (176.3)	5.00 (127.0)	.500 - 13 UNC	3.50 (88.9)	31.26 (794.0)	18.73 (475.7)	0.06 (1.5)	0.20 (5.1)	#116	4
01.50					0.62 (15.7)	3.88 (98.5)						
02.00	21.36 (542.5)	8.59 (218.2)	7.94 (201.7)	6.00 (152.4)	0.75 (19.0)	4.75 (120.6)	31.69 (804.9)	19.16 (486.7)	0.06 (1.5)	0.22 (5.6)		4
02.50	22.34 (567.4)	9.81 (249.2)	8.94 (227.1)	7.00 (177.8)	0.75 (19.0)	5.50 (139.7)	32.91 (835.9)	20.38 (517.6)	0.12 (3.0)	0.22 (5.6)		4
03.00	22.36 (567.9)	9.83 (249.7)	10.38 (263.6)	7.50 (190.5)	0.75 (19.0)	6.00 (152.4)	32.92 (836.2)	20.39 (517.9)	0.12 (3.0)	0.22 (5.6)	#214	4
04.00	24.10 (612.1)	11.57 (293.9)	12.94 (328.7)	9.00 (228.6)	0.75 (19.0)	7.50 (190.5)	34.66 (880.4)	21.13 (562.1)	0.12 (3.0)	0.25 (6.3)		8

DIMENSIONS SHOWN IN ( ) PARENTHESES ARE MILLIMETERS.



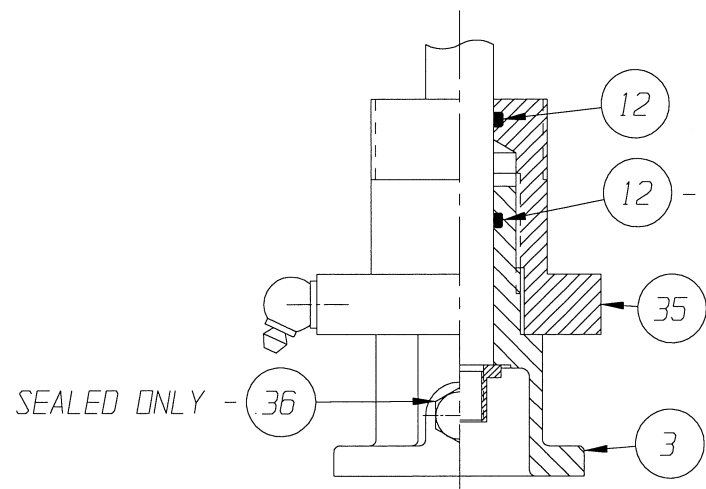
TFE DIAPHRAGM

FURNISHED



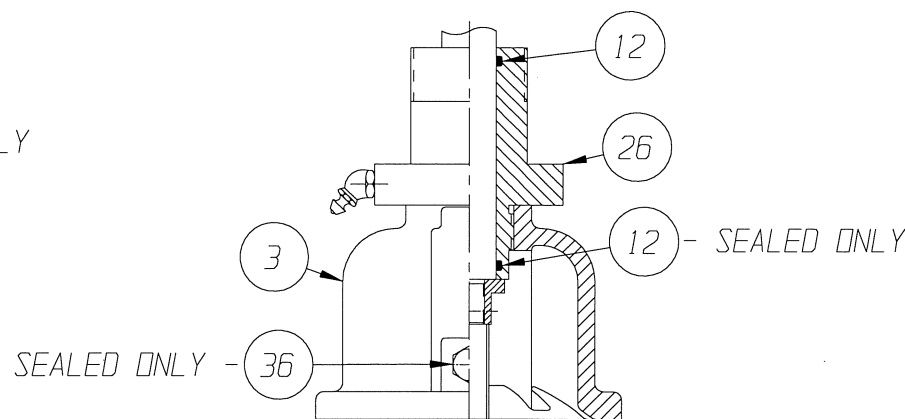
DETAIL POSITION INDICATOR (OPTIONAL)

FURNISHED



BONNET W/ADAPTER SPOOL  
00.50 THRU 01.00 CLOSE COUPLED  
& YOKE MOUNTED.

FURNISHED



S.S. BONNET W/ADAPTER BUSHING  
01.25 THRU 04.00 CLOSE COUPLED  
& YOKE MOUNTED.

FURNISHED

LIST OF PARTS			
ITEM	DESCRIPTION	MATERIAL	QTY.
1	BODY, FLANGED PLASTIC LINED	-	1
2	DIAPHRAGM	-	1
3	BONNET, ADAPTER	-	1
4	STUDS	-	SEE CHART
5	NUTS	-	SEE CHART
6	COMPRESSOR, F/ ELASTOMER DIAPHRAGM	-	1
7	PIN, SPIROL	STN. STL. TYPE 302	1
8	FITTING, LUBE #1744-B	-	AR
9	SPINDLE, VALVE	STN. STL. A-582, TYPE 303	1
10	O-RING #326	BUNA-N	1
11	NUT, ADAPTER BUSHING	M.I. A-47, GR. 32510	AR
12	O-RING 'SEE CHART'	BUNA-N	AR
13	COVER, LOWER	ALUMINUM	1
14	DIAPHRAGM, AIR MOTOR	BUNA-N	1
15	COVER, UPPER	ALUMINUM	1
16	PLATE, ACTUATOR	C.I. A-126, CL. B	2
17	NUT, HEX JAM	CAR. STL.	1
18	SCREW, HEX HD. CAP	CAR. STL.	9
19	NUT, HEX	CAR. STL.	9
20	SPINDLE, VALVE YOKE	STN. STL. A-582, TYPE 303	1
21	YOKE	D.I. A-395, GR. 60-40-18	1
22	COUPLING, HALF	STN. STL. A-351, GR. CF8	2
23	SCREW, HEX HD. CAP	CAR. STL.	2
24	NUT, HEX	CAR. STL.	2
25	SCALE, INDICATING	STN. STL.	1
26	BUSHING, ADAPTER	CAR. STL. A-108, GR. 12L14	AR
27	SPINDLE, ACTUATOR	STN. STL. A-582, TYPE 302	1
28	DIAPHRAGM, PTFE	R2	1
29	CUSHION, BACKING	ELASTOMER	1
30	NUT, TUBE	BRASS B-16, C36000 H02	1
31	COMPRESSOR, F/ PTFE DIAPHRAGM	-	1
32	PLUG, PIPE	CAR. STL. A-181, GR. 1	1
33	PLATE, IDENTIFICATION	STN. STL. A-240, TYPE 304	1
34	SCREW, DRIVE TYPE U	CAR. STL. SAE GR. 2	4
35	SPOOL, ADAPTER	CAR. STL. A-108, GR. 12L14	1
36	PLUG, VENT	STN. STL. TYPE 304	1
37	SEAT, SPRING	C.I. ASTM A126 CL. B	1
38	PIN, SPIROL (SPRING SEAT)	STN. STL. AISI 302	1
39	ROD, SPRING	CAR. STL. ASTM A108	1
40	SPRING NO. 102A	STEEL ASTM A229	1
41	SPRING NO. 101	STEEL ASTM A689	1
42	WASHER, THRUST	CAR. STL. AISI 1010	1
43	BUSHING, ADJUSTING	D.I. ASTM A395 GR.60-40-18	1
44	SCREW, HEX. SOC. HD. CAP	CAR. STL.	2
45	WASHER, SPRINGLOCK	CAR. STL.	2
46	SHIELD, TRAVEL STOP	CAR. STL.	1
47	NUT, HEX. JAM	CAR. STL. SAE GR. 2	1
48	PLUG, PIPE	PLASTIC	2
49	SCREW, MACHINE FILLISTER HD.	STN. STL. 18-8	1
50	MAGNET, CRUCIBLE U-181	-	1
51	RING, RETAINING	STEEL	1
52	O-RING #115	BUNA-N	1
53	SPACER, INDICATOR HOUSING	ALUMINUM B-211	1
54	O-RING #110	BUNA-N	2
55	HOUSING, INDICATOR	ALUMINUM B-26	1
56	ROD, INDICATOR	ALUMINUM B-211	1
57	TUBE, INDICATOR	PLASTIC	1

\* RECOMMENDED SPARE PARTS

ITEM \_\_\_\_\_ SHEET \_\_\_\_\_ OF \_\_\_\_\_

ECN# 146

ITT ENGRD VLVS ORDER: \_\_\_\_\_  
 CUSTOMER: \_\_\_\_\_  
 CUSTOMER P.O.: \_\_\_\_\_  
 ISSUED BY: \_\_\_\_\_ CERTIFIED BY: \_\_\_\_\_

REV	DATE	ECN NBR	BY	CHKD	APVD	DATE	BY
-	-	-	-	-	-	04/30/96	JRD
B	12/17/97	3231	DLH	JLW	KEH	04/30/96	JLW
A	5/28/97	2598	GTS	JLW	RRK	05/01/96	RRK

VALVE ASSEMBLY  
WEIR 00.75 THRU 04.00  
#25 REVERSE ACTUATOR  
WITH FLANGED ENDS  
PLASTIC LINED

**ITT Engineered Valves**

ITT Fluid Technology Corporation  
Lancaster, Pa

CS D 004090 REV B  
SHEET 2 OF 2