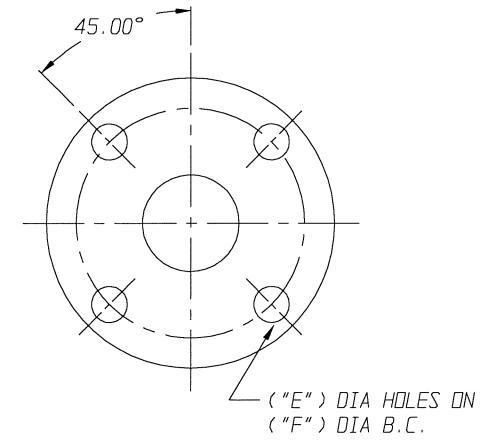
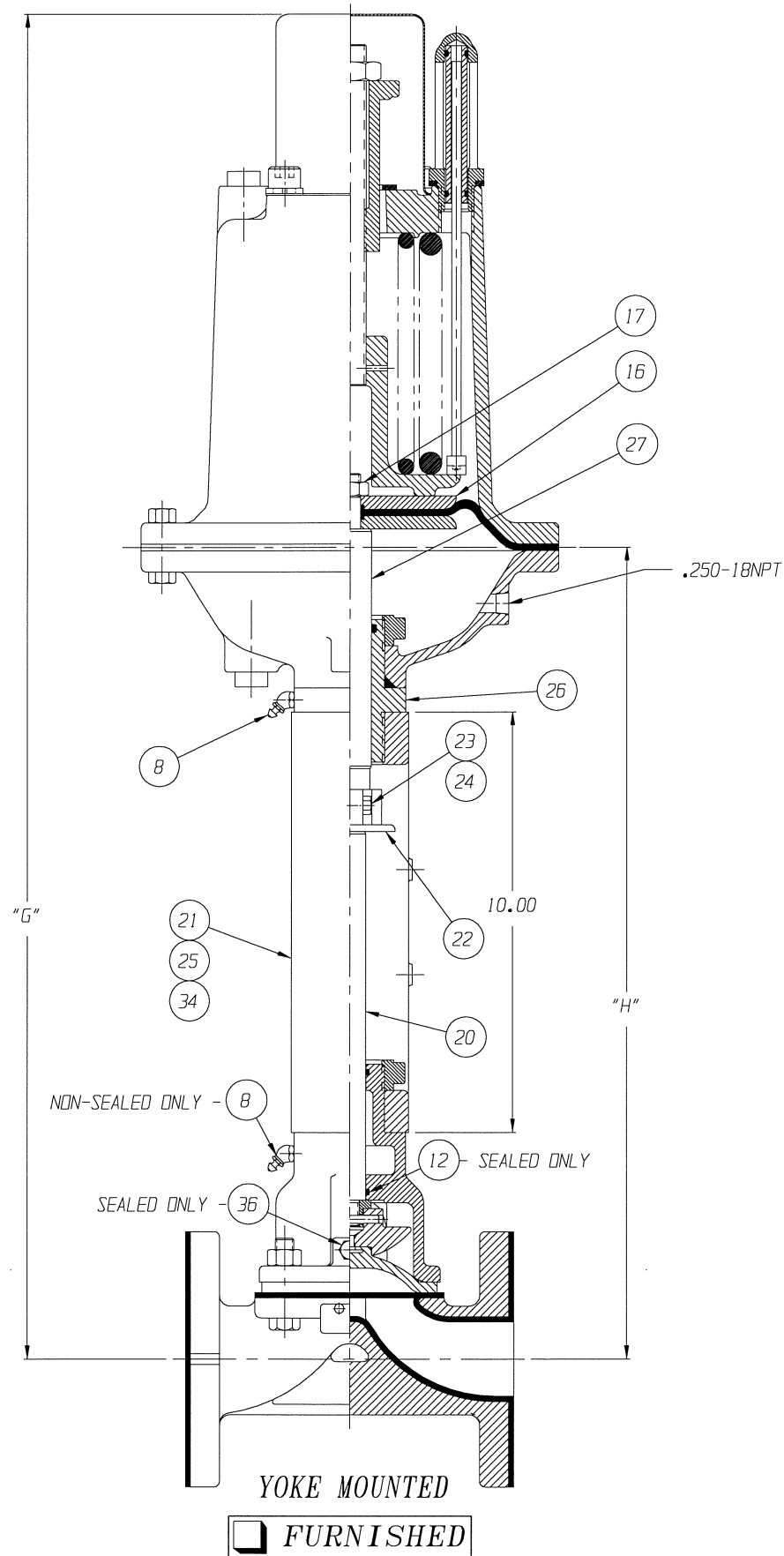
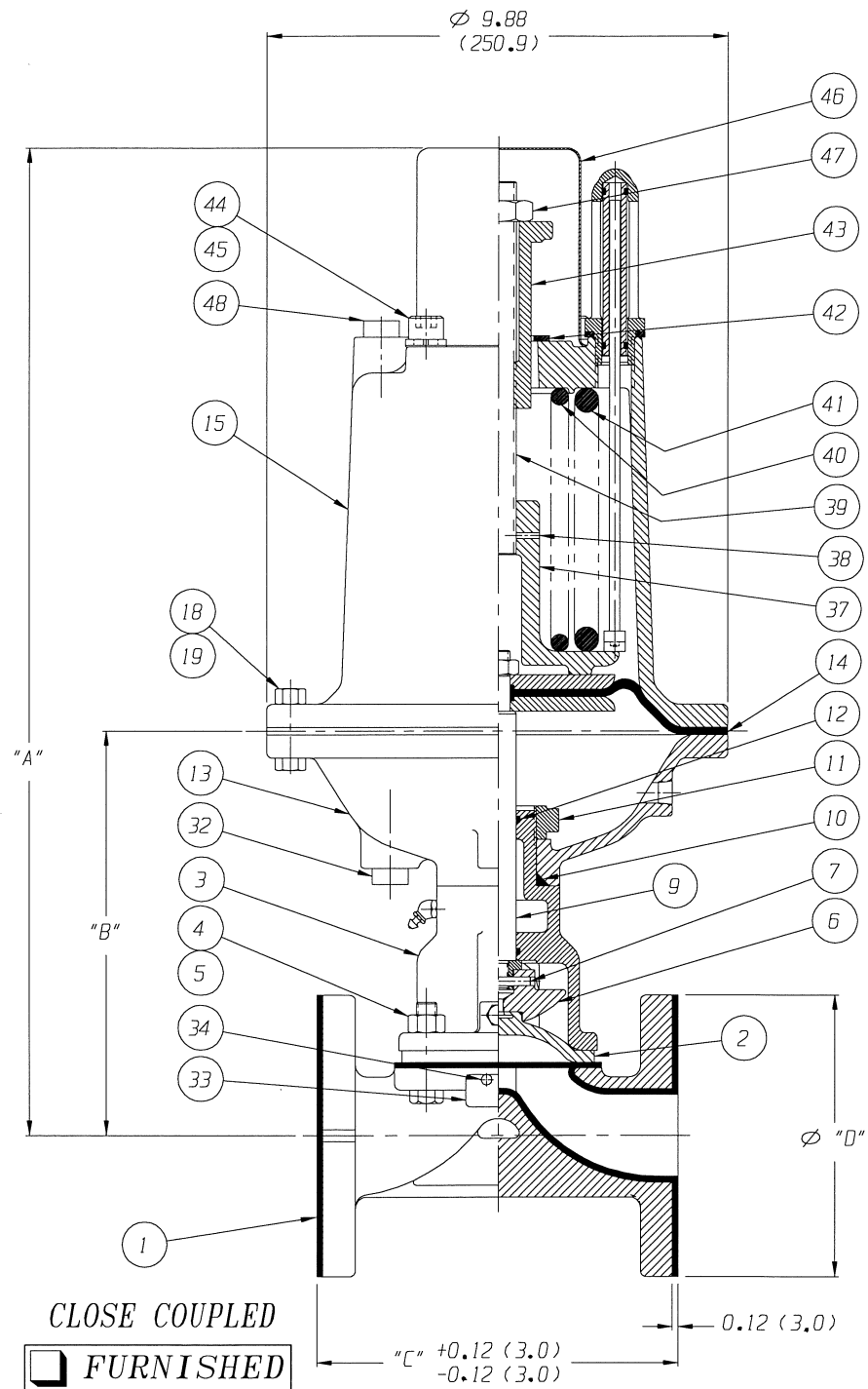
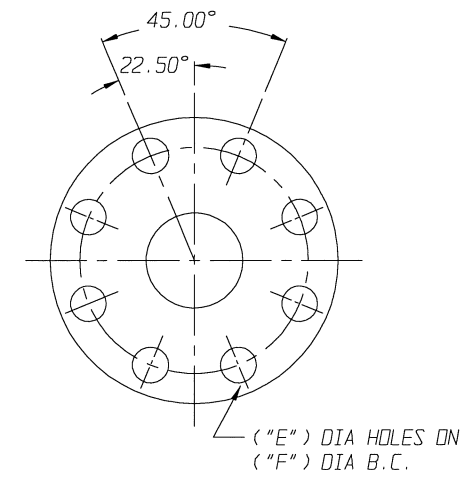


POSITION INDICATOR IS SHOWN 90° FROM TRUE POSITION



00.50 - 03.00 FLANGE

FURNISHED



04.00 FLANGE

FURNISHED

ITEM \_\_\_\_\_ SHEET \_\_\_\_ OF \_\_\_\_

SIZE \_\_\_\_\_ FIG.NO. \_\_\_\_\_

ECN# 146

ITT ENGRD VLVS ORDER: \_\_\_\_\_

CUSTOMER: \_\_\_\_\_

CUSTOMER P.O.: \_\_\_\_\_

ISSUED BY: \_\_\_\_\_ CERTIFIED BY: \_\_\_\_\_

REV	DATE	ECN NBR	BY	CHKD	APVD	DATE	BY
-	-	-	-	-	-	DATE	BY
-	-	-	-	-	-	DWN 04/30/96	JRD
-	-	-	-	-	-	CHKD 05/01/96	JLW
A	12/17/97	3231	DLH	JLW	KEH	APVD 05/01/96	RRK

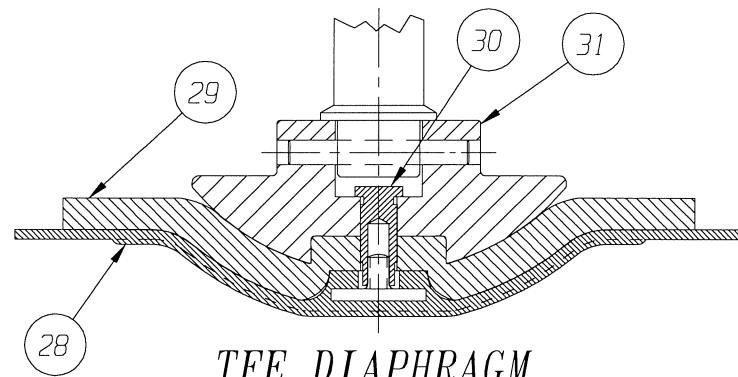
VALVE ASSEMBLY  
WEIR 00.50 THRU 04.00  
#25 REVERSE ACTUATOR  
WITH FLANGED ENDS  
RUBBER LINED

**ITT Engineered Valves**  
ITT Fluid Technology Corporation  
Lancaster, Pa

CS	D	004091	REV A
		SHEET 1 OF 2	

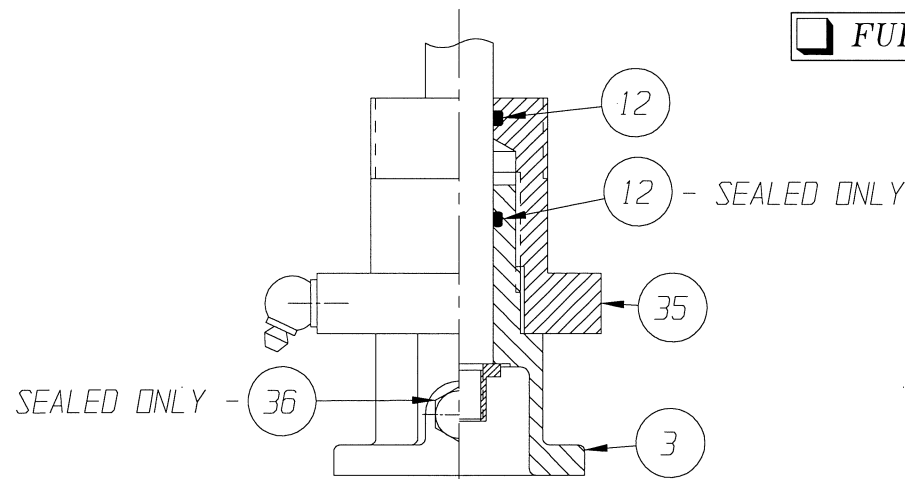
VALVE SIZE	'A'	'B'	'C'	'D' DIA	'E' DIA	'F' DIA	'G'	'H'	QTY. BONNET CAP SCREWS, STUDS/NUTS	O-RING
00.50	18.69 (474.7)	6.16 (156.5)	4.24 (107.7)	3.50 (88.9)	0.62 (15.7)	2.38 (60.4)	29.25 (742.9)	16.72 (424.7)	4	#114
00.75	18.95 (481.3)	6.42 (163.1)	5.74 (145.8)	3.88 (98.5)	0.62 (15.7)	2.75 (69.8)	29.51 (749.5)	16.98 (431.3)	4	
01.00	19.38 (492.2)	7.10 (180.3)	5.74 (145.8)	4.25 (107.9)	0.62 (15.7)	3.12 (79.2)	29.93 (760.2)	17.57 (446.3)	4	
01.25	20.87 (530.1)	8.34 (211.8)	6.74 (171.2)	5.00 (127.0)	0.62 (15.7)	3.50 (88.9)	31.44 (798.6)	18.91 (480.3)	4	#116
01.50						3.88 (98.5)				
02.00	21.36 (542.5)	8.83 (224.3)	7.74 (196.6)	6.00 (152.4)	0.75 (19.0)	4.75 (120.6)	31.93 (811.0)	19.40 (492.8)	4	
02.50	22.34 (567.4)	9.81 (249.2)	8.74 (222.0)	7.00 (177.8)	0.75 (19.0)	5.50 (139.7)	32.94 (835.9)	20.38 (517.6)	4	
03.00	22.61 (574.3)	10.08 (256.0)	10.24 (260.1)	7.50 (190.5)	0.75 (19.0)	6.00 (152.4)	33.17 (842.5)	20.64 (524.2)	4	#214
04.00	23.96 (608.6)	11.43 (290.3)	12.74 (323.6)	9.00 (228.6)	0.75 (19.0)	7.50 (190.5)	34.52 (876.8)	21.99 (558.5)	8	

DIMENSIONS SHOWN IN ( ) PARENTHESES ARE MILLIMETERS.



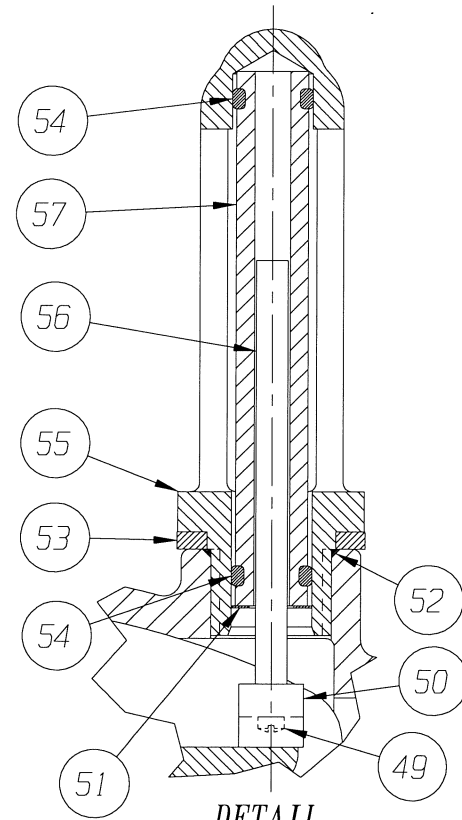
TFE DIAPHRAGM

FURNISHED



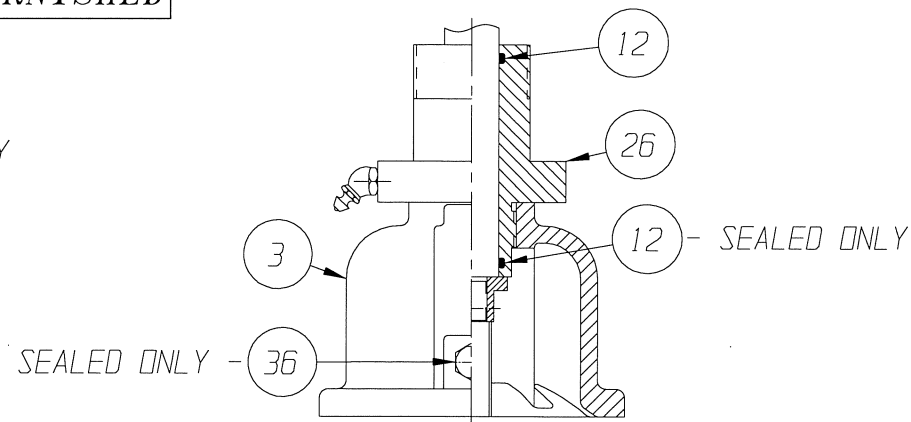
BONNET W/ADAPTER SPOOL  
00.50 THRU 01.00 CLOSE COUPLED  
& YOKE MOUNTED.

FURNISHED



DETAIL  
POSITION INDICATOR  
(OPTIONAL)

FURNISHED



S.S. BONNET W/ADAPTER BUSHING  
01.25 THRU 04.00 CLOSE COUPLED  
& YOKE MOUNTED.

FURNISHED

LIST OF PARTS			
ITEM	DESCRIPTION	MATERIAL	QTY.
1	BODY, FLANGED RUBBER LINED	-	1
* 2	DIAPHRAGM, ELASTOMER	-	1
3	BONNET, ADAPTER	-	1
4	HEX, CAP SCREWS OR STUDS	-	SEE CHART
5	NUTS	-	SEE CHART
6	COMPRESSOR, F/ ELASTOMER DIAPHRAGM	-	1
7	PIN, SPIROL	STN. STL. TYPE 302	1
8	FITTING, LUBE #1744-B	-	AR
9	SPINDLE, VALVE	STN. STL. A-582, TYPE 303	1
* 10	O-RING #326	BUNA-N	1
11	NUT, ADAPTER BUSHING	M.I. A-47, GR. 32510	AR
* 12	O-RING 'SEE CHART'	BUNA-N	AR
13	COVER, LOWER	ALUMINUM	1
* 14	DIAPHRAGM, AIR MOTOR	BUNA-N	1
15	COVER, UPPER	ALUMINUM	1
16	PLATE, ACTUATOR	C.I. A-126, CL. B	2
17	NUT, HEX JAM	CAR. STL.	1
18	SCREW, HEX HD. CAP	CAR. STL.	9
19	NUT, HEX	CAR. STL.	9
20	SPINDLE, VALVE YOKE	STN. STL. A-582, TYPE 303	1
21	YOKE	D.I. A-395, GR. 60-40-18	1
22	COUPLING, HALF	STN. STL. A-351, GR. CF8	2
23	SCREW, HEX HD. CAP	CAR. STL.	2
24	NUT, HEX	CAR. STL.	2
25	SCALE, INDICATING	STN. STL.	1
26	BUSHING, ADAPTER	CAR. STL. A-108, GR. 12L14	AR
27	SPINDLE, ACTUATOR	STN. STL. A-582, TYPE 302	1
* 28	DIAPHRAGM, PTFE	R2	1
* 29	CUSHION, BACKING	ELASTOMER	1
30	NUT, TUBE	BRASS B-16, C36000 H02	1
31	COMPRESSOR, F/ PTFE DIAPHRAGM	-	1
32	PLUG, PIPE	CAR. STL. A-181, GR. 1	1
33	PLATE, IDENTIFICATION	STN. STL. A-240, TYPE 304	1
34	SCREW, DRIVE TYPE U	CAR. STL. SAE GR. 2	4
35	SPOOL, ADAPTER	CAR. STL. A-108, GR. 12L14	1
36	PLUG, VENT	STN. STL. TYPE 304	1
37	SEAT, SPRING	C.I. ASTM A126 CL. B	1
38	PIN, SPIROL (SPRING SEAT)	STN. STL. AISI 302	1
39	ROD, SPRING	CAR. STL. ASTM A108	1
40	SPRING NO. 102A	STEEL ASTM A229	1
41	SPRING NO. 101	STEEL ASTM A689	1
42	WASHER, THRUST	CAR. STL. AISI 1010	1
43	BUSHING, ADJUSTING	D.I. ASTM A395 GR.60-40-18	1
44	SCREW, HEX. SOC. HD. CAP	CAR. STL.	2
45	WASHER, SPRINGLOCK	CAR. STL.	2
46	SHIELD, TRAVEL STOP	CAR. STL.	1
47	NUT, HEX. JAM	CAR. STL. SAE GR. 2	1
48	PLUG, PIPE	PLASTIC	2
49	SCREW, MACHINE FILLISTER HD.	STN. STL. 18-8	1
50	MAGNET, CRUCIBLE U-181	-	1
* 51	RING, RETAINING	STEEL	1
52	O-RING #115	BUNA-N	1
* 53	SPACER, INDICATOR HOUSING	ALUMINUM B-211	1
54	O-RING #110	BUNA-N	2
55	HOUSING, INDICATOR	ALUMINUM B-26	1
56	ROD, INDICATOR	ALUMINUM B-211	1
57	TUBE, INDICATOR	PLASTIC	1

\* RECOMMENDED SPARE PARTS

ITEM \_\_\_\_\_ SHEET \_\_\_\_\_ OF \_\_\_\_\_

ECN# 146

ITT ENGRD VLVS ORDER: \_\_\_\_\_  
 CUSTOMER: \_\_\_\_\_  
 CUSTOMER P.O.: \_\_\_\_\_  
 ISSUED BY: \_\_\_\_\_ CERTIFIED BY: \_\_\_\_\_

REV	DATE	ECN NBR	BY	CHKD	APVD	DATE	BY
-	-	-	-	-	-	04/30/96	JRD
-	-	-	-	-	-	05/01/96	JLW
A	12/17/97	3231	DLH	JLW	KEH	05/01/96	RRK
REV	DATE	ECN NBR	BY	CHKD	APVD	DATE	BY

VALVE ASSEMBLY  
WEIR 00.50 THRU 04.00  
#25 REVERSE ACTUATOR  
WITH FLANGED ENDS  
RUBBER LINED

**ITT Engineered Valves**  
 ITT Fluid Technology Corporation  
 Lancaster, Pa

CS 0 004091 REV A  
 SHEET 2 OF 2