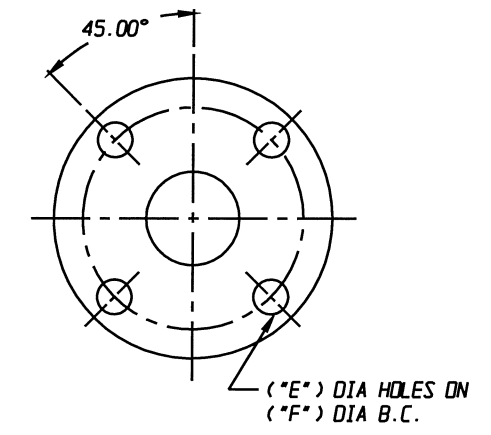
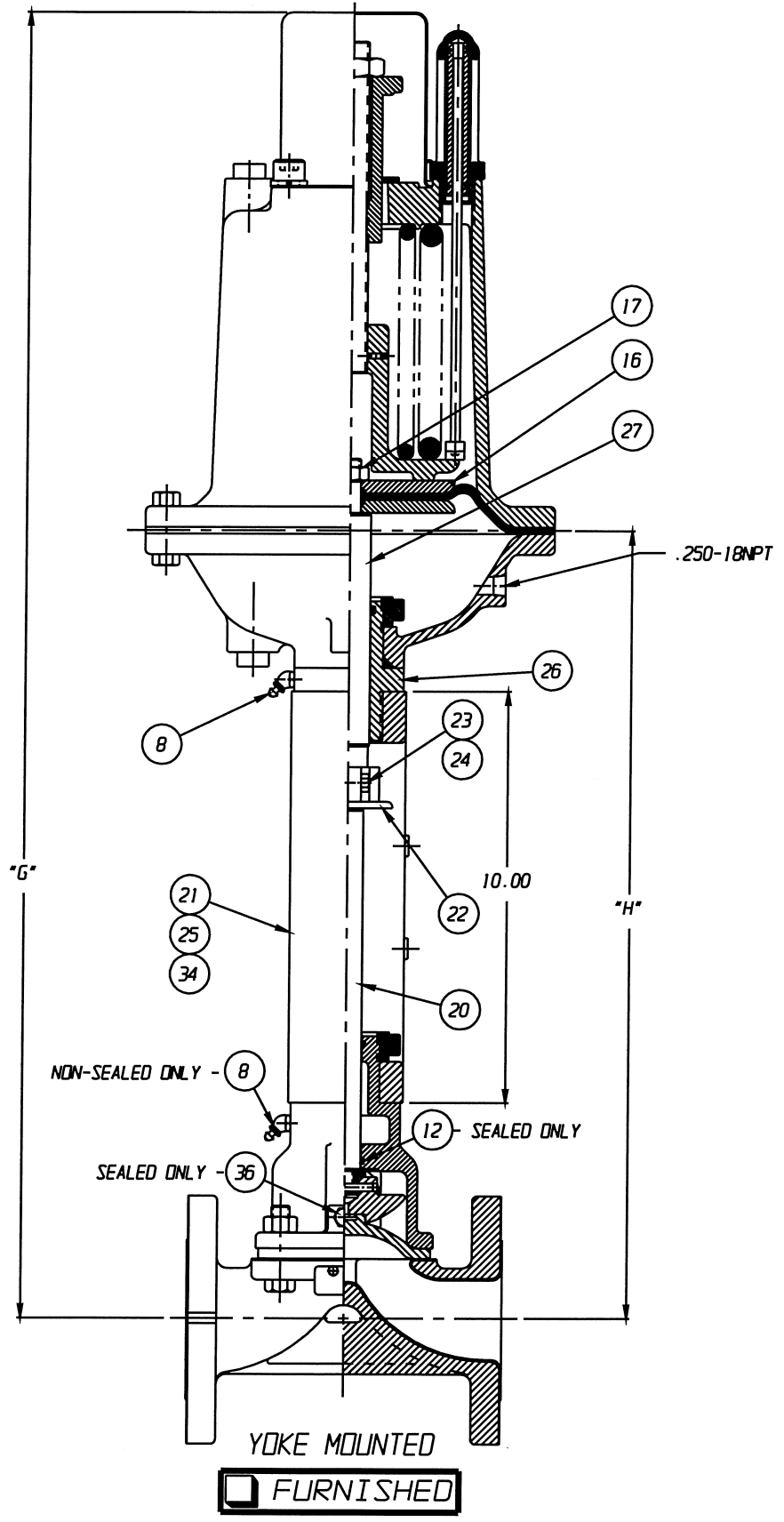
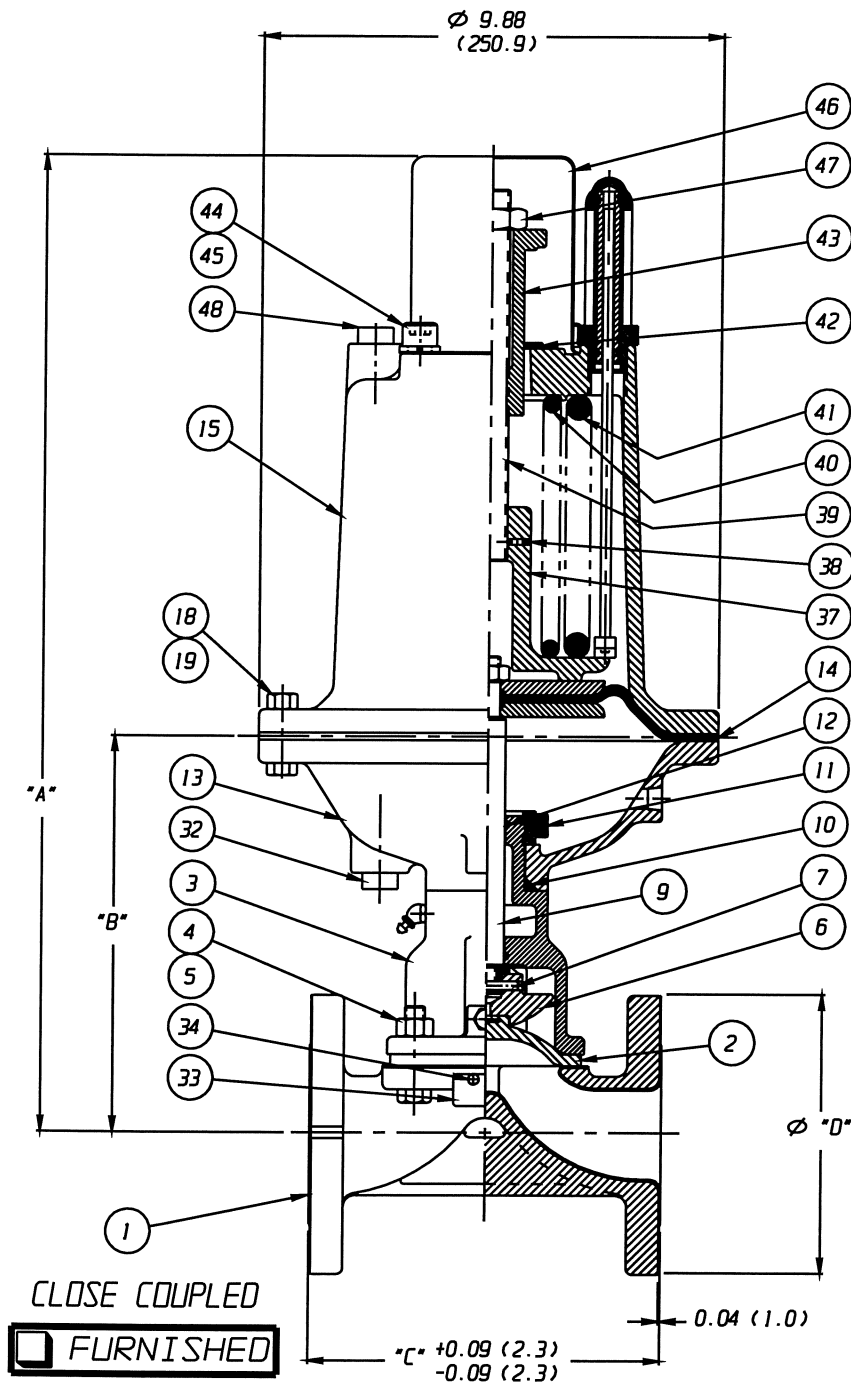
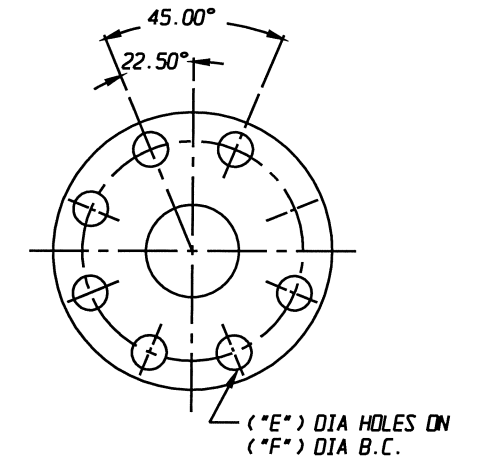


POSITION INDICATOR IS SHOWN 90° FROM TRUE POSITION



00.50 - 03.00 FLANGE

FURNISHED



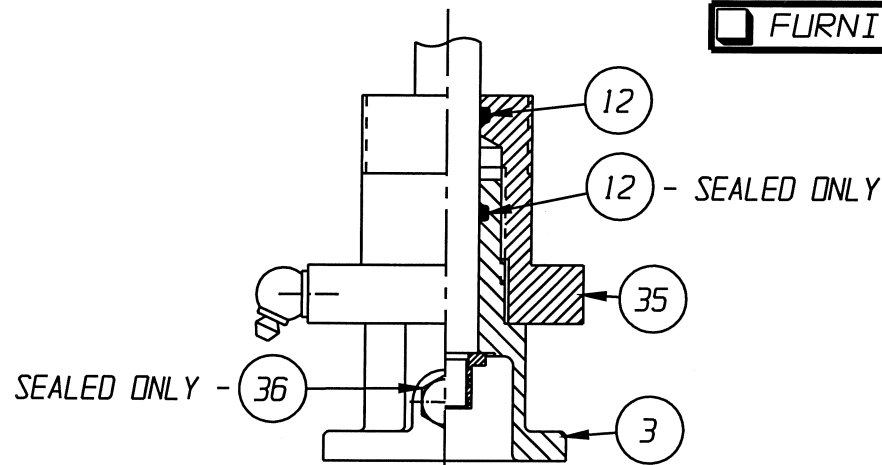
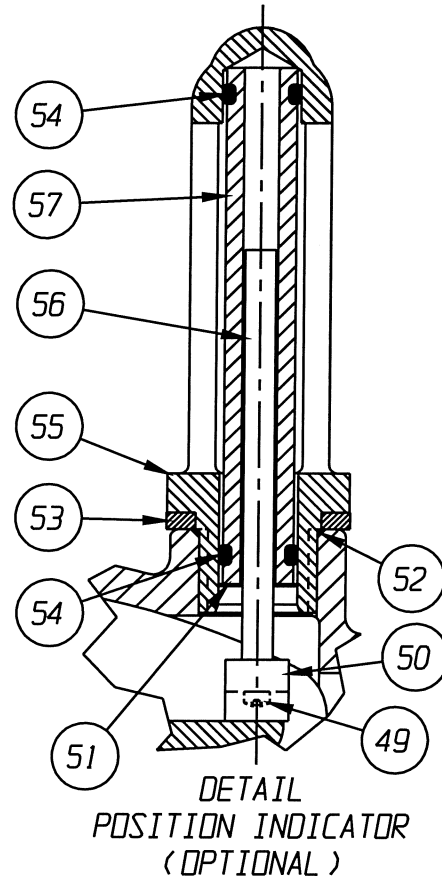
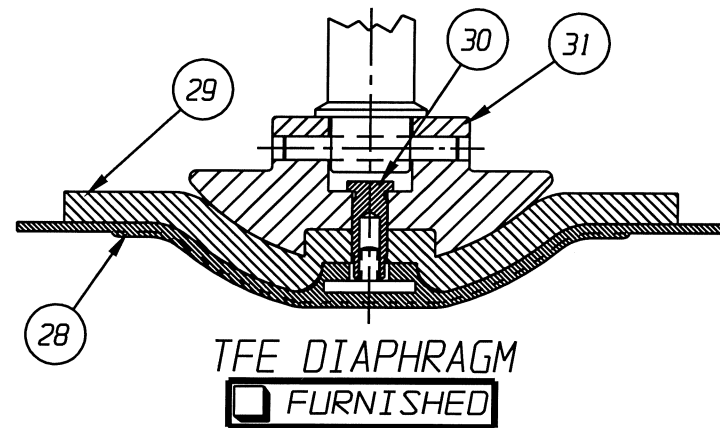
04.00 FLANGE

FURNISHED

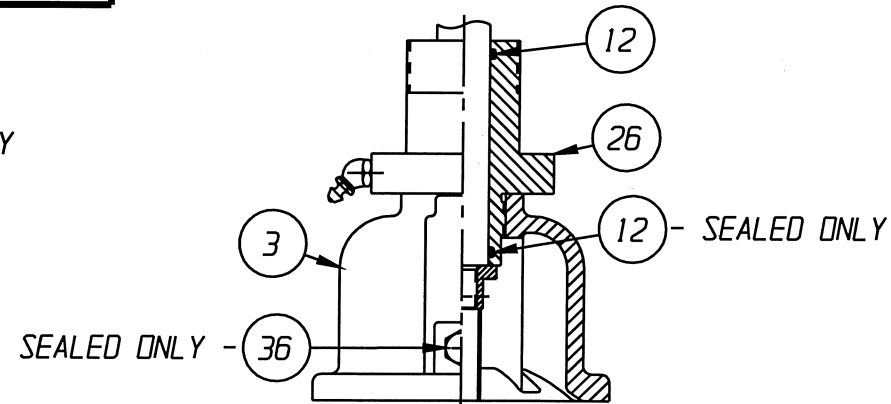
UNLESS OTHERWISE SPECIFIED, DIMENSIONS NOT SHOWN IN BRACKETS [] ARE IN INCHES. DIMENSIONS SHOWN IN BRACKETS [] ARE IN MILLIMETERS.

ENGRD VALVES ORDER: -	ITEM: -	THIRD ANGLE PROJECTION	DATE	BY	VALVE ASSEMBLY WEIR 00.50 THRU 04.00 #25 REVERSE ACTUATOR WITH FLANGED ENDS GLASS LINED	 ITT Engineered Valves www.angvalves.com
FIGURE NO.: -			DWN 12/17/97	DLH		
CUSTOMER: -			CHKD 12/17/97	JLW		
CUSTOMER P.O.: -			APVD 12/17/97	KEH		
		ALL DIMENSIONS SHOWN ON THIS DRAWING ARE FOR REFERENCE ONLY	MASTER DWG: 004092-1/2/A	TECNO 3231	ISSUED BY: -	CERT BY: -
					000000-000	SHEET 1 OF 2

VALVE SIZE	'A'	'B'	'C'	'D' DIA	'E' DIA	'F' DIA	'G'	'H'	QTY. BONNET CAP SCREWS, STUDS/NUTS	O-RING
00.50	18.61 [472.7]	6.08 [154.4]	4.12 [104.6]	3.50 [88.9]	0.62 [15.7]	2.38 [60.4]	29.17 [740.9]	16.64 [422.6]	4	#114
00.75	18.87 [479.3]	6.34 [161.0]	5.62 [142.7]	3.88 [98.5]	0.62 [15.7]	2.75 [69.8]	29.43 [747.5]	16.90 [429.3]	4	
01.00	19.30 [490.2]	6.92 [175.8]	5.62 [142.7]	4.25 [107.9]	0.62 [15.7]	3.12 [79.2]	29.86 [758.4]	17.49 [444.2]	4	
01.25	20.79 [528.1]	8.26 [209.8]	6.62 [168.1]	5.00 [127.0]	0.62 [15.7]	3.50 [88.9]	31.36 [796.5]	18.83 [478.3]	4	#116
01.50						3.88 [98.5]				
02.00	21.28 [540.5]	8.75 [222.2]	7.62 [192.5]	6.00 [152.4]	0.75 [19.0]	4.75 [120.6]	31.85 [809.0]	19.32 [490.7]	4	
02.50	22.26 [565.4]	9.73 [247.1]	8.62 [218.9]	7.00 [177.8]	0.75 [19.0]	5.50 [139.7]	32.83 [833.9]	20.30 [515.6]	4	
03.00	22.53 [572.3]	10.00 [254.0]	10.12 [257.0]	7.50 [190.5]	0.75 [19.0]	6.00 [152.4]	33.09 [840.5]	20.56 [522.2]	4	#214
04.00	23.88 [606.5]	11.35 [288.3]	12.62 [320.5]	9.00 [228.6]	0.75 [19.0]	7.50 [190.5]	34.44 [874.8]	21.91 [556.5]	8	



BONNET W/ADAPTER SPOOL
00.50 THRU 01.00 CLOSE COUPLED
& YOKE MOUNTED.



S.S. BONNET W/ADAPTER BUSHING
01.25 THRU 04.00 CLOSE COUPLED
& YOKE MOUNTED.

LIST OF PARTS			
ITEM	DESCRIPTION	MATERIAL	QTY.
1	BODY, FLANGED GLASS LINED	-	1
* 2	DIAPHRAGM, ELASTOMER	-	1
3	BONNET, ADAPTER	-	1
4	HEX, CAP SCREWS DR STUDS	-	SEE CHART
5	NUTS	-	SEE CHART
6	COMPRESSOR, F/ ELASTOMER DIAPHRAGM	-	1
7	PIN, SPIROL	STN. STL. TYPE 302	1
8	FITTING, LUBE #1744-B	-	AR
9	SPINDLE, VALVE	STN. STL. A-582, TYPE 303	1
* 10	O-RING #326	BUNA-N	1
11	NUT, ADAPTER BUSHING	M.I. A-47, GR. 32510	AR
* 12	O-RING 'SEE CHART'	BUNA-N	AR
13	COVER, LOWER	ALUMINUM	1
* 14	DIAPHRAGM, AIR MOTOR	BUNA-N	1
15	COVER, UPPER	ALUMINUM	1
16	PLATE, ACTUATOR	C.I. A-126, CL. B	2
17	NUT, HEX JAM	CAR. STL.	1
18	SCREW, HEX HD. CAP	CAR. STL.	9
19	NUT, HEX	CAR. STL.	9
20	SPINDLE, VALVE YOKE	STN. STL. A-582, TYPE 303	1
21	YOKE	D.I. A-395, GR. 60-40-18	1
22	COUPLING, HALF	STN. STL. A-351, GR. CFB	2
23	SCREW, HEX HD. CAP	CAR. STL.	2
24	NUT, HEX	CAR. STL.	2
25	SCALE, INDICATING	STN. STL.	1
26	BUSHING, ADAPTER	CAR. STL. A-108, GR. 12L14	AR
27	SPINDLE, ACTUATOR	STN. STL. A-582, TYPE 302	1
* 28	DIAPHRAGM, PTFE	R2	1
* 29	CUSHION, BACKING	ELASTOMER	1
30	NUT, TUBE	BRASS B-16, C36000 H02	1
31	COMPRESSOR, F/ PTFE DIAPHRAGM	-	1
32	PLUG, PIPE	CAR. STL. A-181, GR. 1	1
33	PLATE, IDENTIFICATION	STN. STL. A-240, TYPE 304	1
34	SCREW, DRIVE TYPE U	CAR. STL. SAE GR. 2	4
35	SPOOL, ADAPTER	CAR. STL. A-108, GR. 12L14	1
36	PLUG, VENT	STN. STL. TYPE 304	1
37	SEAT, SPRING	C.I. ASTM A126 CL. B	1
38	PIN, SPIROL (SPRING SEAT)	STN. STL. AISI 302	1
39	ROD, SPRING	CAR. STL. ASTM A108	1
40	SPRING NO. 102A	STEEL ASTM A229	1
41	SPRING NO. 101	STEEL ASTM A689	1
42	WASHER, THRUST	CAR. STL. AISI 1010	1
43	BUSHING, ADJUSTING	D.I. ASTM A395 GR.60-40-18	1
44	SCREW, HEX. SOC. HD. CAP	CAR. STL.	2
45	WASHER, SPRINGLOCK	CAR. STL.	2
46	SHIELD, TRAVEL STOP	CAR. STL.	1
47	NUT, HEX. JAM	CAR. STL. SAE GR. 2	1
48	PLUG, PIPE	PLASTIC	2
49	SCREW, MACHINE FILLISTER HD.	STN. STL. 18-8	1
50	MAGNET, CRUCIBLE U-181	-	1
* 51	RING, RETAINING	STEEL	1
52	O-RING #115	BUNA-N	1
* 53	SPACER, INDICATOR HOUSING	ALUMINUM B-211	1
54	O-RING #110	BUNA-N	2
55	HOUSING, INDICATOR	ALUMINUM B-26	1
56	ROD, INDICATOR	ALUMINUM B-211	1
57	TUBE, INDICATOR	PLASTIC	1

* RECOMMENDED SPARE PARTS

UNLESS OTHERWISE SPECIFIED, DIMENSIONS NOT SHOWN IN BRACKETS [] ARE IN INCHES. DIMENSIONS SHOWN IN BRACKETS [] ARE IN MILLIMETERS.

ENGRD VALVES ORDER: -	ITEM: -	THIRD ANGLE PROJECTION	DATE	BY	VALVE ASSEMBLY WEIR 00.50 THRU 04.00 #25 REVERSE ACTUATOR WITH FLANGED ENDS GLASS LINED	 ITT Engineered Valves www.angvalve.com
FIGURE NO.: -			OWN 12/17/97	DLH		
CUSTOMER: -			CHKD 12/17/97	JLW		
CUSTOMER P.O.: -		ALL DIMENSIONS SHOWN ON THIS DRAWING ARE FOR REFERENCE ONLY.	APVD 12/17/97	KEH	MASTER DWG: 004092-2/2/A	ISSUED BY: -
					TECN# 3231	000000-000
						SHEET 2 OF 2
						REV -
						CERT BY: -