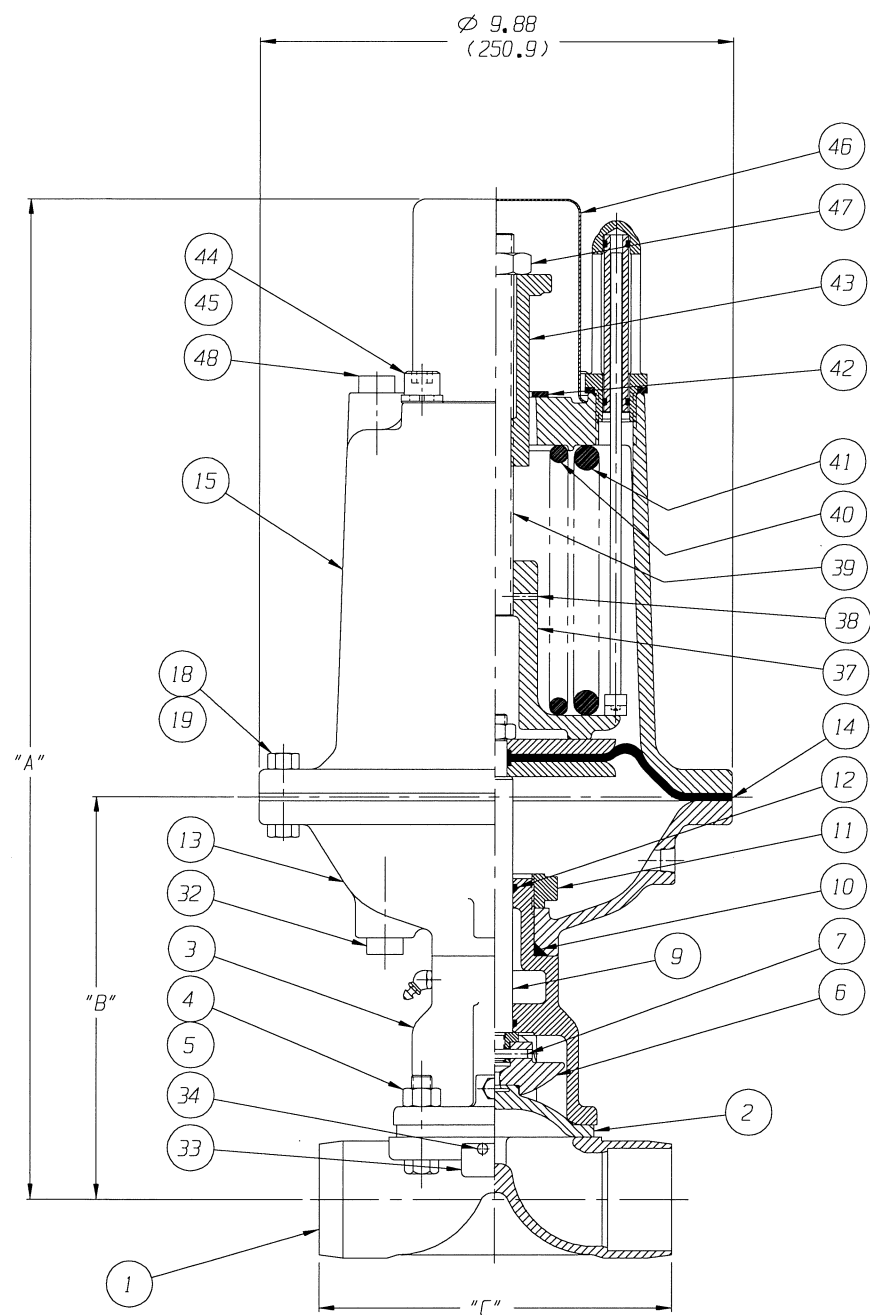
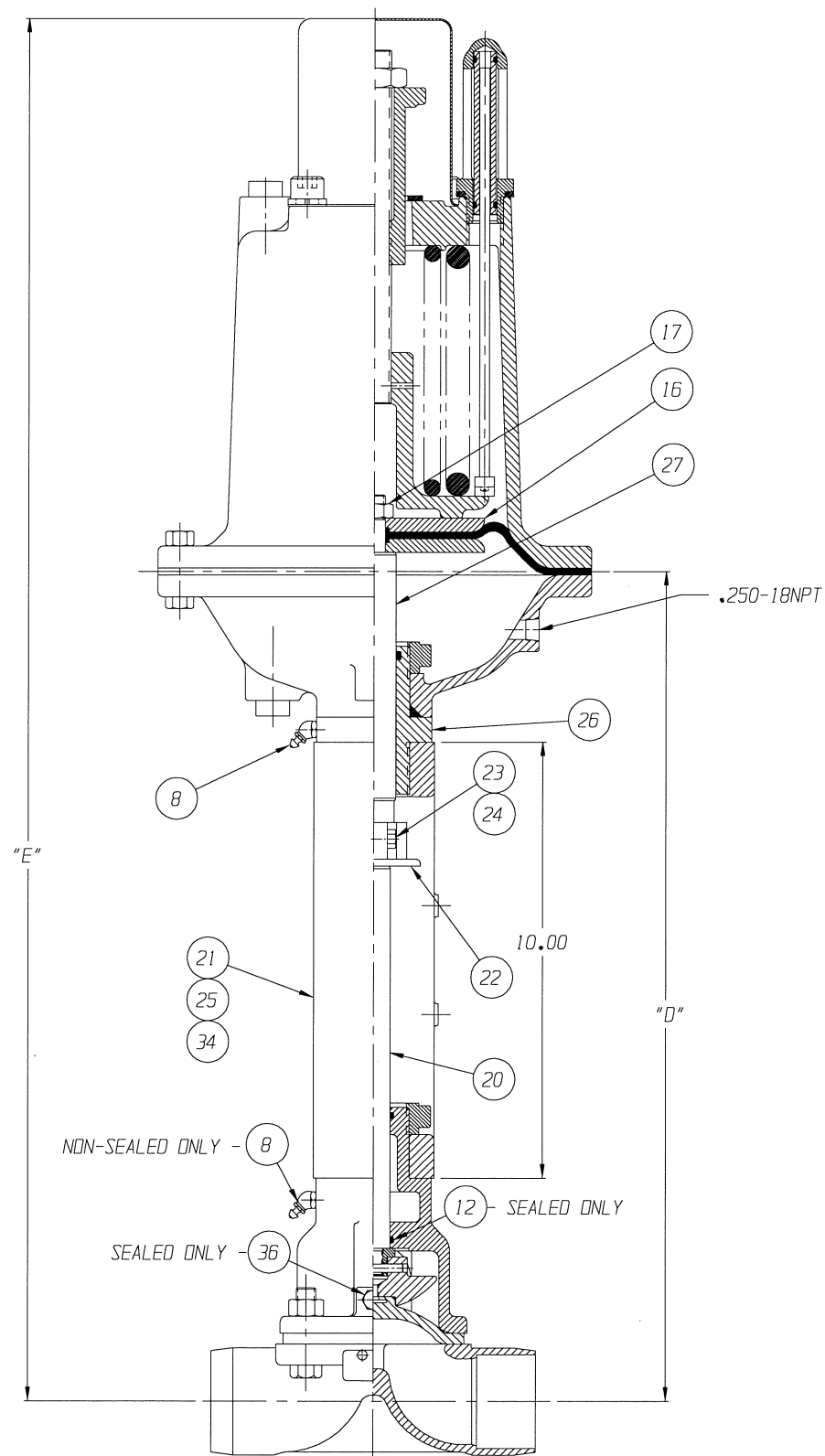


POSITION INDICATOR IS SHOWN 90° FROM TRUE POSITION



CLOSE COUPLED

FURNISHED



YOKE MOUNTED

FURNISHED

ITEM _____ SHEET ____ OF ____

SIZE _____ FIG. NO. _____

ECN# 146

ITT ENGRD VLVS ORDER: _____

CUSTOMER: _____

CUSTOMER P.O.: _____

ISSUED BY: _____ CERTIFIED BY: _____

REV	DATE	ECN NBR	BY	CHKD	APVD	DATE	BY
-	-	-	-	-	-	DATE	BY
-	-	-	-	-	-	DWN	04/30/96 JRD
-	-	-	-	-	-	CHKD	05/01/96 JLW
A	12/17/97	3231	DLH	JLW	KEH	APVD	05/01/96 RRK

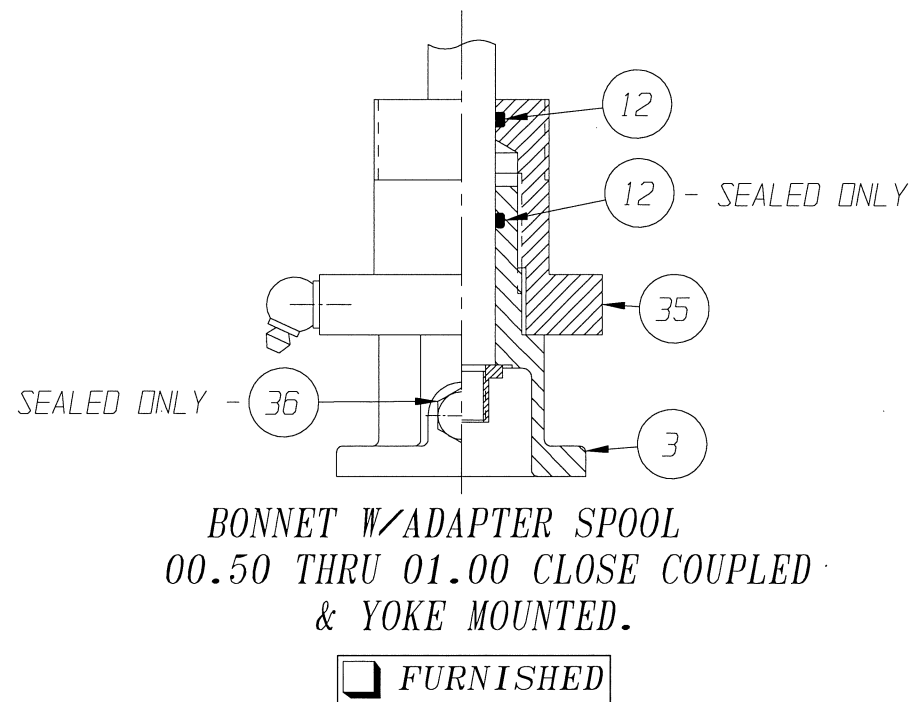
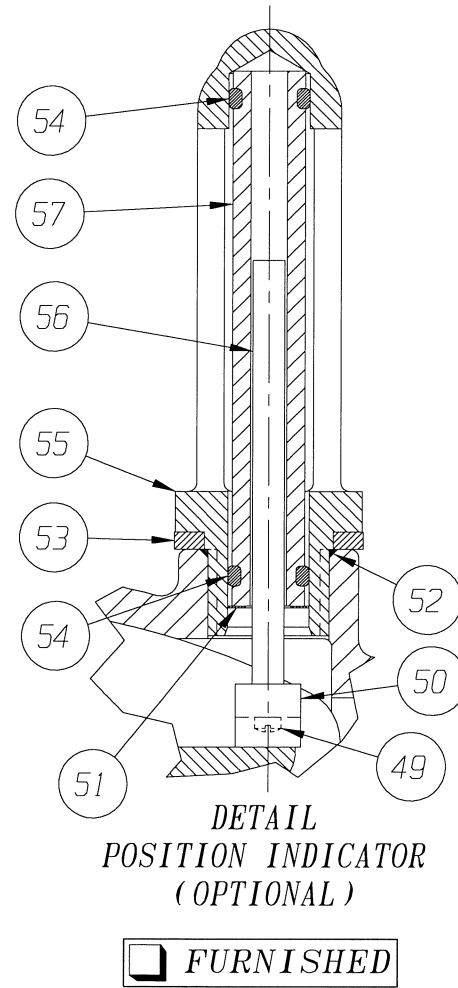
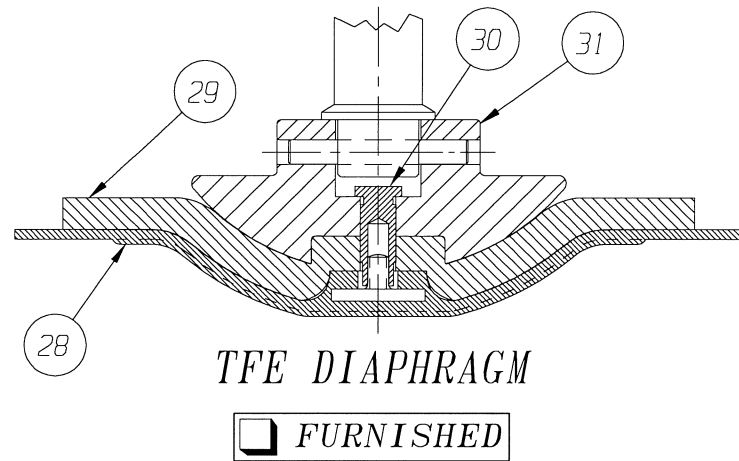
VALVE ASSEMBLY
WEIR 00.50 THRU 02.00
#25 REVERSE ACTUATOR
WITH SOLDER ENDS

ITT Engineered Valves
ITT Fluid Technology Corporation
Lancaster, Pa

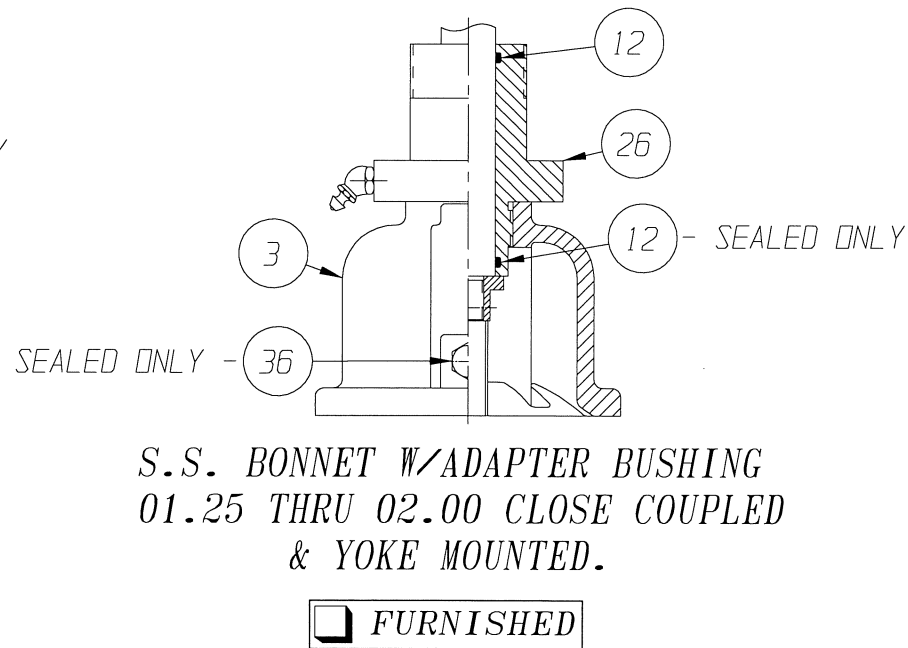
CS	D	004094	REV A
		SHEET 1 OF 2	

VALVE SIZE	'A'	'B'	'C'	'D'	'E'	O-RING
00.50	18.43 (468.1)	5.90 (150.0)	3.50 (88.9)	16.46 (418.1)	28.99 (736.3)	#114
00.75	18.62 (472.9)	6.09 (154.8)	4.12 (104.6)	16.65 (422.9)	29.18 (741.2)	
01.00	19.16 (486.7)	6.88 (174.8)	5.06 (128.5)	17.35 (440.7)	29.87 (758.7)	
01.50	20.65 (524.5)	8.12 (206.4)	5.88 (149.3)	18.69 (474.7)	31.22 (792.9)	#116
02.00	21.10 (535.9)	8.57 (217.8)	7.38 (187.4)	19.14 (486.1)	31.67 (804.4)	

DIMENSIONS SHOWN IN () PARENTHESES ARE MILLIMETERS.



BONNET W/ADAPTER SPOOL
00.50 THRU 01.00 CLOSE COUPLED
& YOKE MOUNTED.



S.S. BONNET W/ADAPTER BUSHING
01.25 THRU 02.00 CLOSE COUPLED
& YOKE MOUNTED.

LIST OF PARTS			
ITEM	DESCRIPTION	MATERIAL	QTY.
1	BODY, SOLDER ENDS	-	1
* 2	DIAPHRAGM, ELASTOMER	-	1
3	BONNET, ADAPTER	-	1
4	HEX, CAP SCREWS OR STUDS	-	4
5	NUTS	-	4
6	COMPRESSOR, F/ ELASTOMER DIAPHRAGM	-	1
7	PIN, SPIROL	STN. STL. TYPE 302	1
8	FITTING, LUBE #1744-B	-	AR
9	SPINDLE, VALVE	STN. STL. A-582, TYPE 303	1
* 10	O-RING #326	BUNA-N	1
11	NUT, ADAPTER BUSHING	M.I. A-47, GR. 32510	AR
* 12	O-RING 'SEE CHART'	BUNA-N	AR
13	COVER, LOWER	ALUMINUM	1
* 14	DIAPHRAGM, AIR MOTOR	BUNA-N	1
15	COVER, UPPER	ALUMINUM	1
16	PLATE, ACTUATOR	C.I. A-126, CL. B	2
17	NUT, HEX JAM	CAR. STL.	1
18	SCREW, HEX HD. CAP	CAR. STL.	9
19	NUT, HEX	CAR. STL.	9
20	SPINDLE, VALVE YOKE	STN. STL. A-582, TYPE 303	1
21	YOKE	D.I. A-395, GR. 60-40-18	1
22	COUPLING, HALF	STN. STL. A-351, GR. CF8	2
23	SCREW, HEX HD. CAP	CAR. STL.	2
24	NUT, HEX	CAR. STL.	2
25	SCALE, INDICATING	STN. STL.	1
26	BUSHING, ADAPTER	CAR. STL. A-108, GR. 12L14	AR
27	SPINDLE, ACTUATOR	STN. STL. A-582, TYPE 302	1
* 28	DIAPHRAGM, PTFE	R2	1
* 29	CUSHION, BACKING	ELASTOMER	1
30	NUT, TUBE	BRASS B-16, C36000 H02	1
31	COMPRESSOR, F/ PTFE DIAPHRAGM	-	1
32	PLUG, PIPE	CAR. STL. A-181, GR. 1	1
33	PLATE, IDENTIFICATION	STN. STL. A-240, TYPE 304	1
34	SCREW, DRIVE TYPE U	CAR. STL. SAE GR. 2	4
35	SPOOL, ADAPTER	CAR. STL. A-108, GR. 12L14	1
36	PLUG, VENT	STN. STL. TYPE 304	1
37	SEAT, SPRING	C.I. ASTM A126 CL. B	1
38	PIN, SPIROL (SPRING SEAT)	STN. STL. AISI 302	1
39	ROD, SPRING	CAR. STL. ASTM A108	1
40	SPRING NO. 102A	STEEL ASTM A229	1
41	SPRING NO. 101	STEEL ASTM A689	1
42	WASHER, THRUST	CAR. STL. AISI 1010	1
43	BUSHING, ADJUSTING	D.I. ASTM A395 GR.60-40-18	1
44	SCREW, HEX. SOC. HD. CAP	CAR. STL.	2
45	WASHER, SPRINGLOCK	CAR. STL.	2
46	SHIELD, TRAVEL STOP	CAR. STL.	1
47	NUT, HEX. JAM	CAR. STL. SAE GR. 2	1
48	PLUG, PIPE	PLASTIC	2
49	SCREW, MACHINE FILLISTER HD.	STN. STL. 18-8	1
50	MAGNET, CRUCIBLE U-181	-	1
* 51	RING, RETAINING	STEEL	1
52	O-RING #115	BUNA-N	1
* 53	SPACER, INDICATOR HOUSING	ALUMINUM B-211	1
54	O-RING #110	BUNA-N	2
55	HOUSING, INDICATOR	ALUMINUM B-26	1
56	ROD, INDICATOR	ALUMINUM B-211	1
57	TUBE, INDICATOR	PLASTIC	1

* RECOMMENDED SPARE PARTS

ITEM _____ SHEET ____ OF ____

ECN# 146

ITT ENGRD VLVS ORDER: _____

CUSTOMER: _____

CUSTOMER P.O.: _____

ISSUED BY: _____ CERTIFIED BY: _____

REV	DATE	ECN NBR	BY	CHKD	APVD	DATE	BY
-	-	-	-	-	-	04/30/96	JRD
-	-	-	-	-	-	05/01/96	JLW
A	12/17/97	3231	DLH	JLW	KEH	05/01/96	RRK
REV	DATE	ECN NBR	BY	CHKD	APVD	05/01/96	RRK

VALVE ASSEMBLY
WEIR 00.50 THRU 02.00
#25 REVERSE ACTUATOR
WITH SOLDER ENDS

ITT Engineered Valves
ITT Fluid Technology Corporation
Lancaster, Pa

CS D 004094 REV A
SHEET 2 OF 2