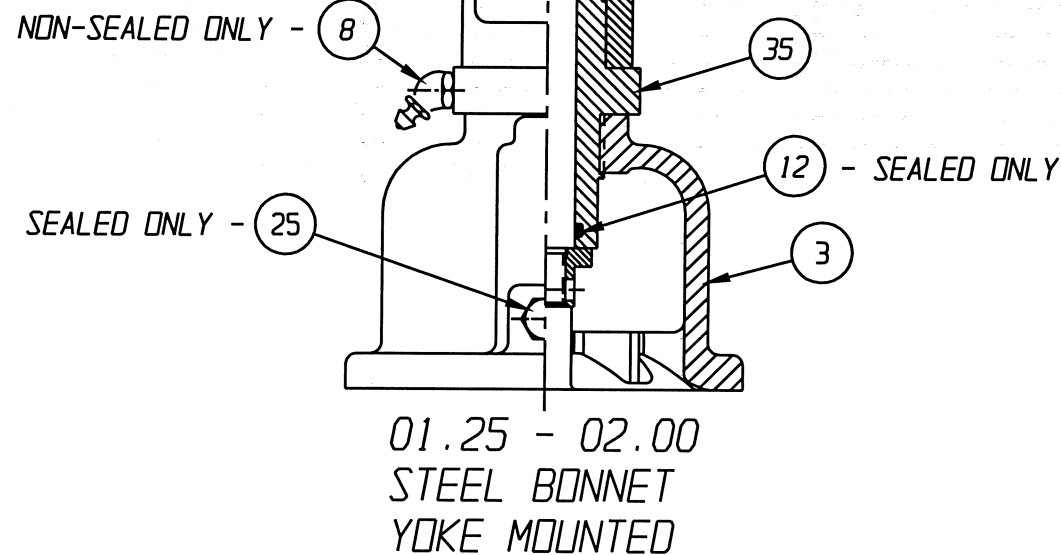
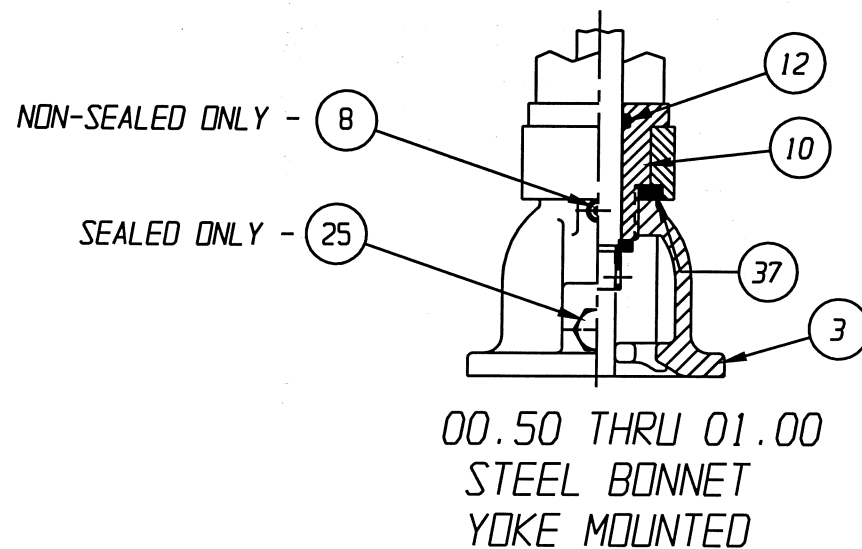
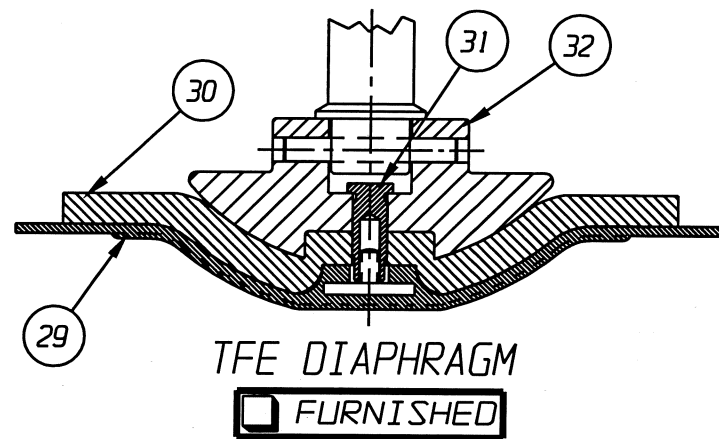


UNLESS OTHERWISE SPECIFIED, DIMENSIONS NOT SHOWN IN BRACKETS [] ARE IN INCHES. DIMENSIONS SHOWN IN BRACKETS [] ARE IN MILLIMETERS.

ENGRD VALVES ORDER: -	ITEM: -	THIRD ANGLE PROJECTION	DATE	BY	VALVE ASSEMBLY	
FIGURE NO.: -			DWN 11-15-06	JLW	WEIR 00.50 - 02.00	
CUSTOMER: -			CHKD 11-15-06	STD	#12 REVERSE ACTING	ITT Engineered Valves www.angvalve.com
CUSTOMER P.O.: -			APVD 11-15-06	STD	W/FLANGED ENDS	
		ALL DIMENSIONS SHOWN ON THIS DRAWING ARE FOR REFERENCE ONLY			FLAT FACE	<input type="checkbox"/> 000000-000
					MASTER DWG: 004187-1/2/C ECN# 10671	SHEET 1 OF 2 REV -
					ISSUED BY: -	CERT BY: -

VALVE SIZE	'A'	'B'	'C'	'D' DIA	'E' DIA	'F' DIA	'G'	'H'	'J'	'K'	O-RING (ITEM #12)
00.50	7.25 [184.2]	3.52 [89.4]	4.00 [101.6]	3.50 [88.9]	0.62 [15.7]	2.38 [60.5]	7.41 [188.2]	15.47 [392.9]	11.74 [298.2]	15.63 [397.0]	#112
00.75	8.25 [209.6]	4.53 [115.1]	5.50 [139.7]	3.88 [98.6]		2.75 [69.9]	8.41 [213.6]	16.28 [413.5]	12.56 [319.0]	16.44 [417.6]	
01.00				4.25 [108.0]		3.12 [79.2]					
01.25	9.65 [245.1]	5.93 [150.6]	6.50 [165.1]	5.00 [127.0]	0.62 [15.7]	3.50 [88.9]	9.81 [249.2]	18.18 [461.8]	14.46 [367.3]	18.34 [465.8]	#114
01.50						3.88 [98.6]					
02.00	10.21 [259.3]	6.48 [164.6]	7.50 [190.5]	6.00 [152.4]	0.75 [19.1]	4.75 [120.7]	10.37 [263.4]	18.74 [476.0]	15.01 [381.3]	18.90 [480.1]	



LIST OF PARTS			
ITEM	DESCRIPTION	MATERIAL	QTY.
1	BODY, FLANGED	-	1
2	DIAPHRAGM, ELASTOMER	-	1
3	BONNET, ADAPTER	-	1
4	HEX, CAP SCREWS OR STUDS	-	4
5	NUTS	-	4
6	COMPRESSOR, F/ ELASTOMER DIAPHRAGM	ZINC B-86	1
7	PIN, SPIROL	STN. STL. TYPE 302	1
8	FITTING, LUBE	-	1
9	SPINDLE, VALVE	STN. STL. A-582, TYPE 303	1
10	BUSHING, ADAPTER	-	1
11	NUT, HEAVY HEX. JAM	CAR. STL.	1
12	O-RING 'SEE CHART'	BUNA-N	AR
13	COVER, LOWER	ALUMINUM	1
14	DIAPHRAGM, AIR MOTOR	BUNA-N	1
15	COVER, UPPER	ALUMINUM	1
16	PLATE, ACTUATOR	ALUMINUM B-85, SC84A	2
17	NUT, HEX.	CAR. STL.	1
18	SCREW, HEX HD. CAP	CAR. STL.	12
19	NUT, HEX	CAR. STL.	12
20	SPINDLE, VALVE YOKE	STN. STL. A-582, TYPE 303	1
21	YOKE	D.I. A-395, GR. 60-40-18	1
22	COUPLING, HALF	STN. STL. A-351, GR. CFB	2
23	SCREW, HEX HD. CAP	CAR. STL.	2
24	NUT, HEX	CAR. STL.	2
25	PLUG, VENT	STN. STL. TYPE 304	1
26	SPINDLE, ACTUATOR	STN. STL. A-582, TYPE 302	1
27	PLATE, IDENTIFICATION	STN. STL. A-240, TYPE 304	1
28	SCREW, DRIVE TYPE U	CAR. STL. SAE GR.2	4
29	DIAPHRAGM, PTFE	R2	1
30	CUSHION, BACKING	ELASTOMER	1
31	NUT, TUBE	BRASS B-16, C36000 H02	1
32	COMPRESSOR, F/ PLASTIC DIAPHRAGM	ZINC B-86	1
33	SPRING #88	STEEL	1
34	SPRING #89	STEEL	1
35	BUSHING, ADAPTER	CAR. STL. A-108, GR. 12L14	1
36	SPACER	CAR. STL.	1
37	SPACER, YOKE	BRASS	1
38	RING, RETAINING	STEEL	1
39	ROD, INDICATING	STN. STL. 18-8	1
40	SPRING, #99	STEEL	1
41	CAP	PLASTIC	1
42	WASHER, SPRINGLOCK	CAR. STL.	2
43	WASHER	NYLON	1

* RECOMMENDED SPARE PARTS

- NOTE:
- Δ 1. FOR USE WITH 01.25 THRU 02.00 VALVE ASSEMBLIES, ALSO VALVE TRAVEL WILL BE RESTRICTED TO 0.62.
 - ▲ 2. USED ONLY WITH 00.50" STN. STL. BONNET.
 - 3. VALVE IS BI-DIRECTIONAL (NO FLOW ARROW).

UNLESS OTHERWISE SPECIFIED, DIMENSIONS NOT SHOWN IN BRACKETS [] ARE IN INCHES. DIMENSIONS SHOWN IN BRACKETS [] ARE IN MILLIMETERS.

ENGRD VALVES ORDER: -	ITEM: -	THIRD ANGLE PROJECTION	DATE	BY	VALVE ASSEMBLY	 ITT Engined Valves www.engvalves.com
FIGURE NO.: -			DWN 11/15/06	JLW	WEIR 00.50 - 02.00	
CUSTOMER: -			CHKD 11/15/06	STD	#12 REVERSE ACTING	D 000000-000 SHEET 2 OF 2 REV - MASTER DWG: 004187-2/2/C IECN# 10671 ISSUED BY: - CERT BY: -
CUSTOMER P.O.: -			APVD 11/15/06	STD	W/FLANGED ENDS FLAT FACE	