

ENGRD VALVES ORDER: - ITEM: -  
 SHEET - OF -  
 FIGURE NO.: -  
 CUSTOMER: -  
 CUSTOMER P.O.: -  
 ISSUED BY: \_\_\_\_\_ CERTIFIED BY: \_\_\_\_\_

UNLESS OTHERWISE SPECIFIED, DIMENSIONS NOT SHOWN IN BRACKETS [ ] ARE IN INCHES.  
 DIMENSIONS SHOWN IN BRACKETS [ ] ARE IN MILLIMETERS.

THIRD ANGLE PROJECTION 	<input checked="" type="checkbox"/>	DATE	BY	VALVE ASSEMBLY WEIR 00.50 - 02.00 #12 DIRECT ACTING W/ FLANGED RAISED FACE ENDS		Engineered Valves Group Lancaster, PA USA		
	OWN	11-14-06	JLW					
	CHKD	11-14-06	STD					
ECN# 10671	ALL DIMENSIONS SHOWN ON THIS DRAWING ARE FOR REFERENCE ONLY	APVD	11-14-06	STD	CS	D	004200 SHEET 1 OF 2	REV D

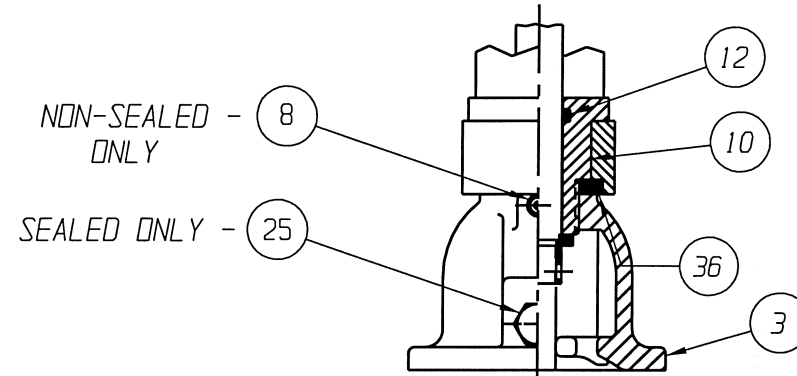
www.engvalves.com

VALVE SIZE	'A'	'B'	'C'	'D' DIA	'E' DIA	'F' DIA	'G' DIA	'H'	'J'	O-RING (ITEM 12)
00.50	7.21 [183.1]	5.08 [129.0]	4.00 [101.6]	3.50 [88.9]	1.38 [35.1]		2.38 [60.5]	15.44 [392.2]	13.31 [338.1]	#112
00.75				3.88 [98.5]	1.69 [42.9]	0.62 [15.7]	2.75 [69.9]			
01.00	8.21 [208.5]	6.09 [154.7]	5.50 [139.7]	4.25 [108.0]	2.00 [50.8]		3.12 [79.2]	16.25 [412.8]	14.13 [358.9]	
01.25				5.00 [127.0]	2.50 [63.5]	0.62 [15.7]	3.50 [88.9]	18.10 [459.7]	15.97 [405.6]	#114
01.50	9.56 [242.8]	7.43 [188.7]	6.50 [165.1]	6.00 [152.4]	3.62 [91.9]	0.75 [19.1]	4.75 [120.7]	18.59 [472.2]	16.46 [418.1]	
02.00	10.24 [260.1]	8.11 [206.0]	7.50 [190.5]							

LIST OF PARTS			
ITEM	DESCRIPTION	MATERIAL	QTY.
1	BODY, FLANGED RAISED FACE	-	1
* 2	DIAPHRAGM, ELASTOMER	-	1
3	BONNET, ADAPTER	-	1
4	HEX, CAP SCREWS OR STUDS	-	4
5	NUTS	-	4
6	COMPRESSOR, F/ ELASTOMER DIAPHRAGM	ZINC B-86	1
7	PIN, SPIROL	STN. STL. TYPE 302	1
8	FITTING, LUBE	-	1
9	SPINDLE, VALVE	STN. STL. A-582, TYPE 303	1
10	BUSHING, ADAPTER	-	1
11	NUT, HEAVY HEX. JAM	CAR. STL.	1
* 12	O-RING 'SEE CHART'	BUNA-N	AR
13	COVER, LOWER	ALUMINUM	1
* 14	DIAPHRAGM, AIR MOTOR	BUNA-N	1
15	COVER, UPPER	ALUMINUM	1
16	PLATE, ACTUATOR	ALUMINUM B-85, SC84A	2
17	NUT, HEX JAM	CAR. STL.	1
18	SCREW, HEX HD. CAP	CAR. STL.	12
19	NUT, HEX	CAR. STL.	12
20	SPINDLE, VALVE YOKE	STN. STL. A-582, TYPE 303	1
21	YOKE	D. I. A-395, GR. 60-40-18	1
22	COUPLING, HALF	STN. STL. A-351, GR. CF8	2
23	SCREW, HEX HD. CAP	CAR. STL.	2
24	NUT, HEX	CAR. STL.	2
25	PLUG, VENT	STN. STL. TYPE 304	1
26	SPINDLE, ACTUATOR	STN. STL. A-582, TYPE 302	1
27	PLATE, IDENTIFICATION	STN. STL. A-240, TYPE 304	1
28	SCREW, DRIVE TYPE U	CAR. STL. SAE GR. 2	4
* 29	DIAPHRAGM, PTFE	R2	1
* 30	CUSHION, BACKING	ELASTOMER	1
31	NUT, TUBE	BRASS B-16, C36000 H02	1
32	COMPRESSOR, F/ PLASTIC DIAPHRAGM	ZINC B-86	1
33	SPRING #88	STEEL	1
34	BUSHING, ADAPTER	CAR. STL. A-108, GR. 12L14	1
Δ 35	SPACER	CAR. STL.	1
▲ 36	SPACER, YOKE	BRASS	1
37	RING, RETAINING	STEEL	1
38	ROD, INDICATING	STN. STL. 18-8	1
39	SPRING #99	STEEL	1
40	CAP	PLASTIC	1
41	WASHER, SPRINGLOCK	CAR. STL.	2
42	WASHER	NYLON	1

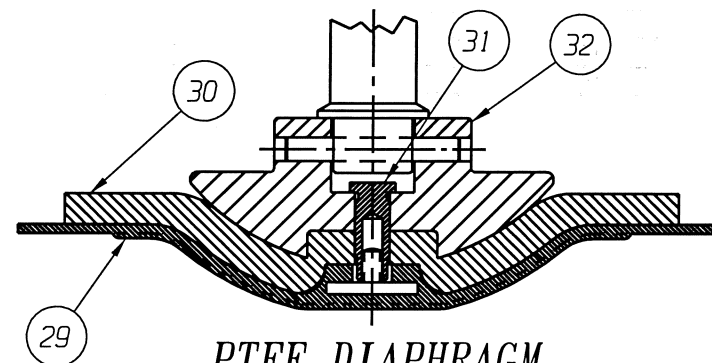
\* RECOMMENDED SPARE PARTS

NOTE:  
 Δ 1. FOR USE WITH 01.25 THRU 02.00 VALVE ASSEMBLIES, ALSO VALVE TRAVEL WILL BE RESTRICTED TO 0.62.  
 ▲ 2. USED ONLY WITH 00.50" STN. STL. BONNET.  
 3. VALVE IS BI-DIRECTIONAL ( NO FLOW ARROW ).



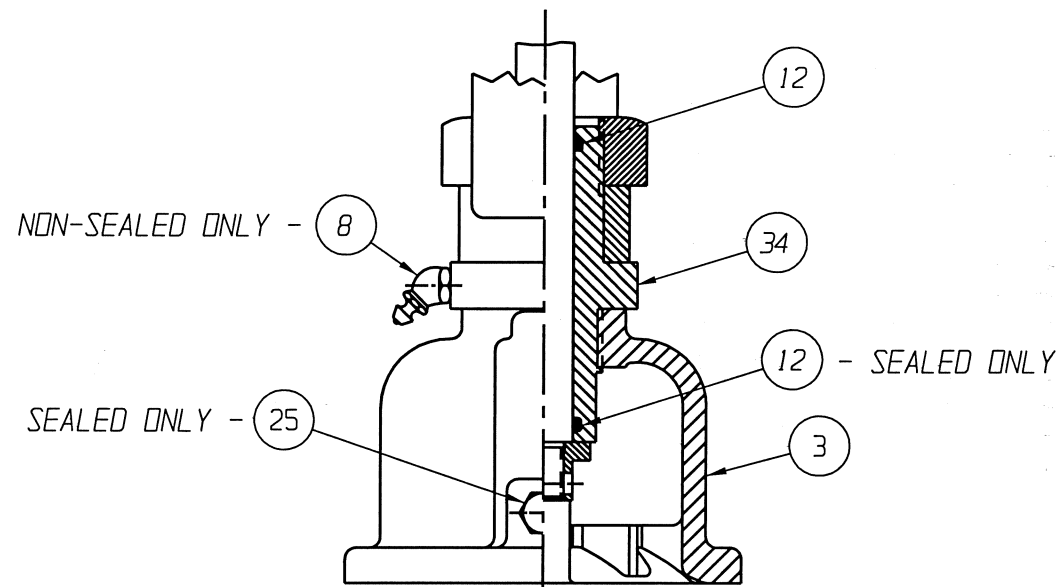
00.50 THRU 01.00  
 STEEL BONNET  
 YOKE MOUNTED

FURNISHED



PTFE DIAPHRAGM

FURNISHED



01.25 - 02.00  
 STEEL BONNET  
 YOKE MOUNTED

FURNISHED

ENGRD VALVES ORDER: - ITEM: -  
 SHEET - OF -  
 FIGURE NO.: -  
 CUSTOMER: -  
 CUSTOMER P.O.: -  
 ISSUED BY: \_\_\_\_\_ CERTIFIED BY: \_\_\_\_\_

UNLESS OTHERWISE SPECIFIED, DIMENSIONS NOT SHOWN IN BRACKETS [ ] ARE IN INCHES.  
 DIMENSIONS SHOWN IN BRACKETS [ ] ARE IN MILLIMETERS.

THIRD ANGLE PROJECTION	DATE	BY
	OWN	11-14-06 JLW
	CHKD	11-14-06 STD
	APVD	11-14-06 STD

VALVE ASSEMBLY  
 WEIR 00.50 - 02.00  
 #12 DIRECT ACTING  
 W/ FLANGED RAISED FACE  
 ENDS

		Engineered Valves Group Lancaster, PA USA	
CS	D	004200	REV D
SHEET 2 OF 2			

ECN# 10671

ALL DIMENSIONS SHOWN ON THIS DRAWING ARE FOR REFERENCE ONLY