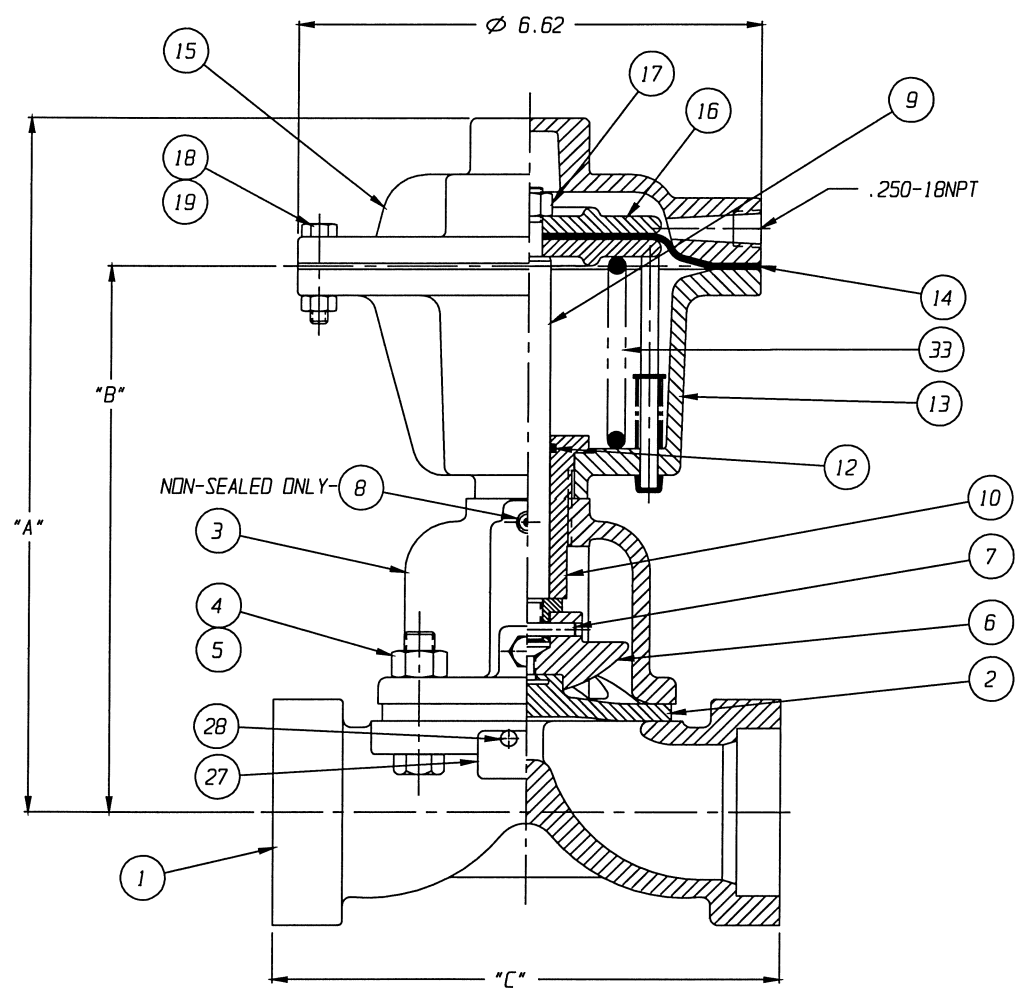
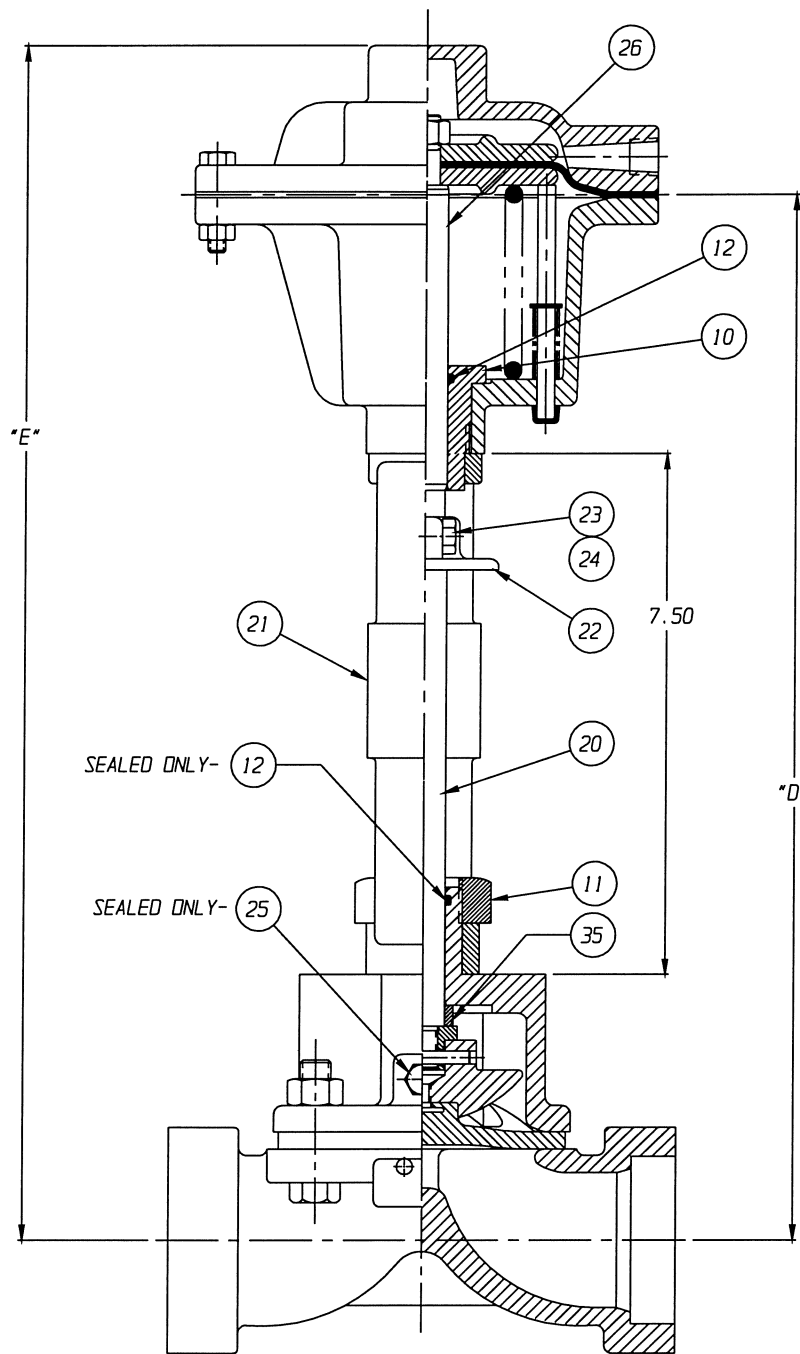


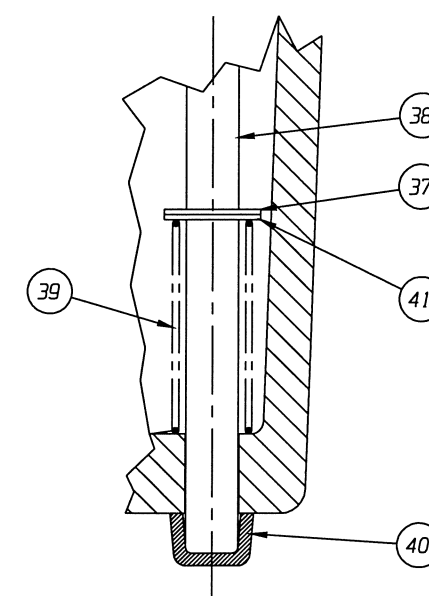
POSITION INDICATOR IS SHOWN 90° FROM TRUE POSITION



CLOSE COUPLED


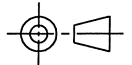


YOKE MOUNTED
IRON BONNET



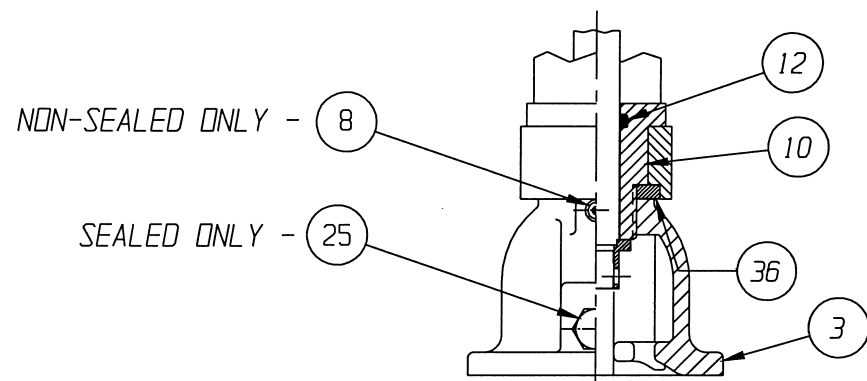
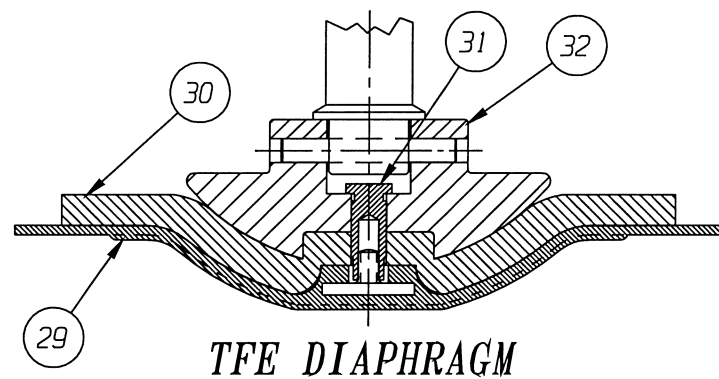
DETAIL
POSITION INDICATOR
(OPTIONAL)

UNLESS OTHERWISE SPECIFIED, DIMENSIONS NOT SHOWN IN BRACKETS [] ARE IN INCHES. DIMENSIONS SHOWN IN BRACKETS [] ARE IN MILLIMETERS.

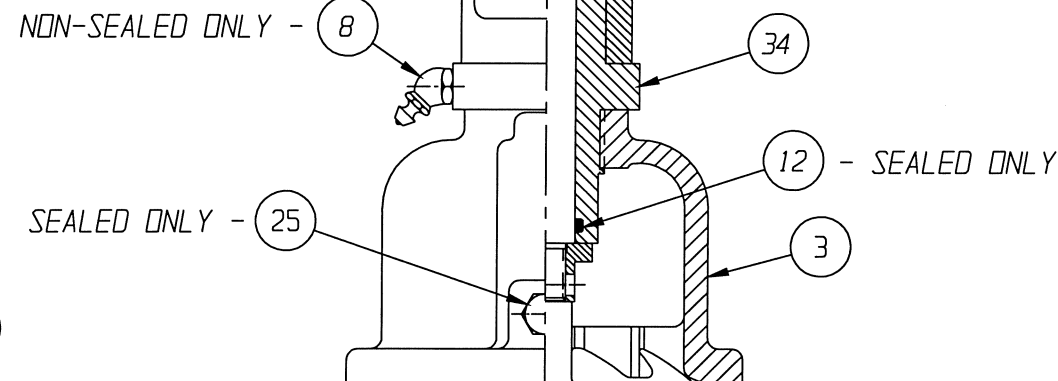
ENGRD VALVES ORDER: -	ITEM: -	THIRD ANGLE PROJECTION	DATE	BY	VALVE ASSEMBLY	 ITT <small>Engineered Valves www.engvalves.com</small>						
FIGURE NO.: -			DWN 01/29/02	BLM	WEIR 00.50 THRU 02.00							
CUSTOMER: -			CHKD 01/29/02	STD	#12 DIRECT ACTUATOR	<table border="1"> <tr> <td>000000-000</td> <td>SHEET</td> <td>REV</td> </tr> <tr> <td></td> <td>1 OF 1</td> <td>-</td> </tr> </table>	000000-000	SHEET	REV		1 OF 1	-
000000-000	SHEET	REV										
	1 OF 1	-										
CUSTOMER P.O.: -		ALL DIMENSIONS SHOWN ON THIS DRAWING ARE FOR REFERENCE ONLY	APVD 01/29/02	STD	MASTER DWG: 004204-1/2/A	ISSUED BY: -						
					TECN# 6601	CERT BY: -						

VALVE SIZE	'A'	'B'	'C'	'D'	'E'	Q-RING
00.50	7.17 (182.1)	5.04 (127.9)	3.50 (88.9)	12.54 (318.4)	14.67 (372.6)	#114
00.75	7.72 (196.1)	5.59 (142.0)	4.00 (101.6)	13.09 (332.5)	15.22 (386.7)	
01.00	8.27 (210.0)	6.14 (156.0)	4.50 (114.3)	13.62 (345.9)	15.75 (400.1)	
01.25 & 01.50	9.53 (242.1)	7.39 (187.6)	6.50 (165.1)	14.89 (378.1)	17.02 (432.3)	#116
02.00	10.15 (257.9)	8.02 (203.7)	7.25 (184.1)	15.87 (403.1)	18.01 (457.4)	

DIMENSIONS SHOWN IN () PARENTHESES ARE MILLIMETERS.



00.50 THRU 01.00
STEEL BONNET
YOKE MOUNTED



01.25 - 02.00
STEEL BONNET
YOKE MOUNTED

LIST OF PARTS			
ITEM	DESCRIPTION	MATERIAL	QTY.
1	BODY, SOCKETWELD PIPE	-	1
* 2	DIAPHRAGM, ELASTOMER	-	1
3	BONNET, ADAPTER	-	1
4	HEX, CAP SCREWS OR STUDS	-	4
5	NUTS	-	4
6	COMPRESSOR, F/ ELASTOMER DIAPHRAGM	ZINC B-86	1
7	PIN, SPIROL	STN. STL. TYPE 302	1
8	FITTING, LUBE	-	1
9	SPINDLE, VALVE	STN. STL. A-582, TYPE 303	1
10	BUSHING, ADAPTER	BRASS	1
11	NUT, ADAPTER BUSHING	M.I. A-47, GR. 32510	1
* 12	O-RING 'SEE CHART'	BUNA-N	AR
13	COVER, LOWER	ALUMINUM B-85 52T SC84A	1
* 14	DIAPHRAGM, AIR MOTOR	BUNA-N	1
15	COVER, UPPER	ALUMINUM B-85 52T SC84A	1
16	PLATE, ACTUATOR	C.I. A-126, CL. B	2
17	NUT, HEX JAM	CAR. STL.	1
18	SCREW, HEX HD. CAP	CAR. STL.	9
19	NUT, HEX	CAR. STL.	9
20	SPINDLE, VALVE YOKE	STN. STL. A-582, TYPE 303	1
21	YOKE	D.I. A-395, GR. 60-40-18	1
22	COUPLING, HALF	STN. STL. A-351, GR. CFB	2
23	SCREW, HEX HD. CAP	CAR. STL.	2
24	NUT, HEX	CAR. STL.	2
25	PLUG, VENT	STN. STL. TYPE 416	1
26	SPINDLE, ACTUATOR	STN. STL. A-582, TYPE 302	1
27	PLATE, IDENTIFICATION	STN. STL. A-240, TYPE 304	1
28	SCREW, DRIVE TYPE U	CAR. STL. SAE GR.2	4
* 29	DIAPHRAGM, PTFE	R2	1
* 30	CUSHION, BACKING	ELASTOMER	1
31	NUT, TUBE	BRASS B-16, C36000 H02	1
32	COMPRESSOR, F/ PLASTIC DIAPHRAGM	ZINC B-86	1
33	SPRING #88	STEEL	1
34	BUSHING, ADAPTER	CAR. STL. A-108, GR. 12L14	1
Δ 35	SPACER	CAR. STL.	1
▲ 36	SPACER, YOKE	BRASS	1
37	RING, RETAINING	STEEL	1
38	ROD, INDICATING	STN. STL. 18-8	1
39	SPRING #99	STEEL	1
40	CAP	PLASTIC	1
41	WASHER	NYLON	1

* RECOMMENDED SPARE PARTS

NOTE:

- Δ 1. FOR USE WITH 01.25 THRU 02.00 VALVE ASSEMBLIES, ALSO VALVE TRAVEL WILL BE RESTRICTED TO 0.62.
- ▲ 2. USED ONLY WITH 00.50" STN. STL. BONNET.

UNLESS OTHERWISE SPECIFIED, DIMENSIONS NOT SHOWN IN BRACKETS [] ARE IN INCHES. DIMENSIONS SHOWN IN BRACKETS [] ARE IN MILLIMETERS.

ENGRD VALVES ORDER: -	ITEM: -	THIRD ANGLE PROJECTION	DATE	BY	VALVE ASSEMBLY
FIGURE NO.: -			DWN 01/29/02	BLM	WEIR 00.50 THRU 02.00
CUSTOMER: -			CHKD 01/29/02	STD	#12 DIRECT ACTUATOR
CUSTOMER P.O.: -			APVD 01/29/02	STD	WITH SOCKET WELD ENDS
ALL DIMENSIONS SHOWN ON THIS DRAWING ARE FOR REFERENCE ONLY			MASTER DWG: 004204-2/2/A	ECN# 6601	ISSUED BY: -
				ITT	Engineered Valves www.engvalves.com
				000000-000	SHEET 1 OF 1
					REV -
					CERT BY: -