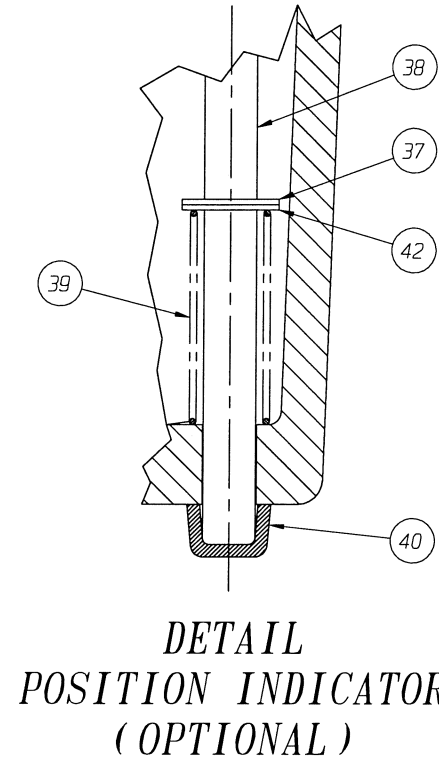
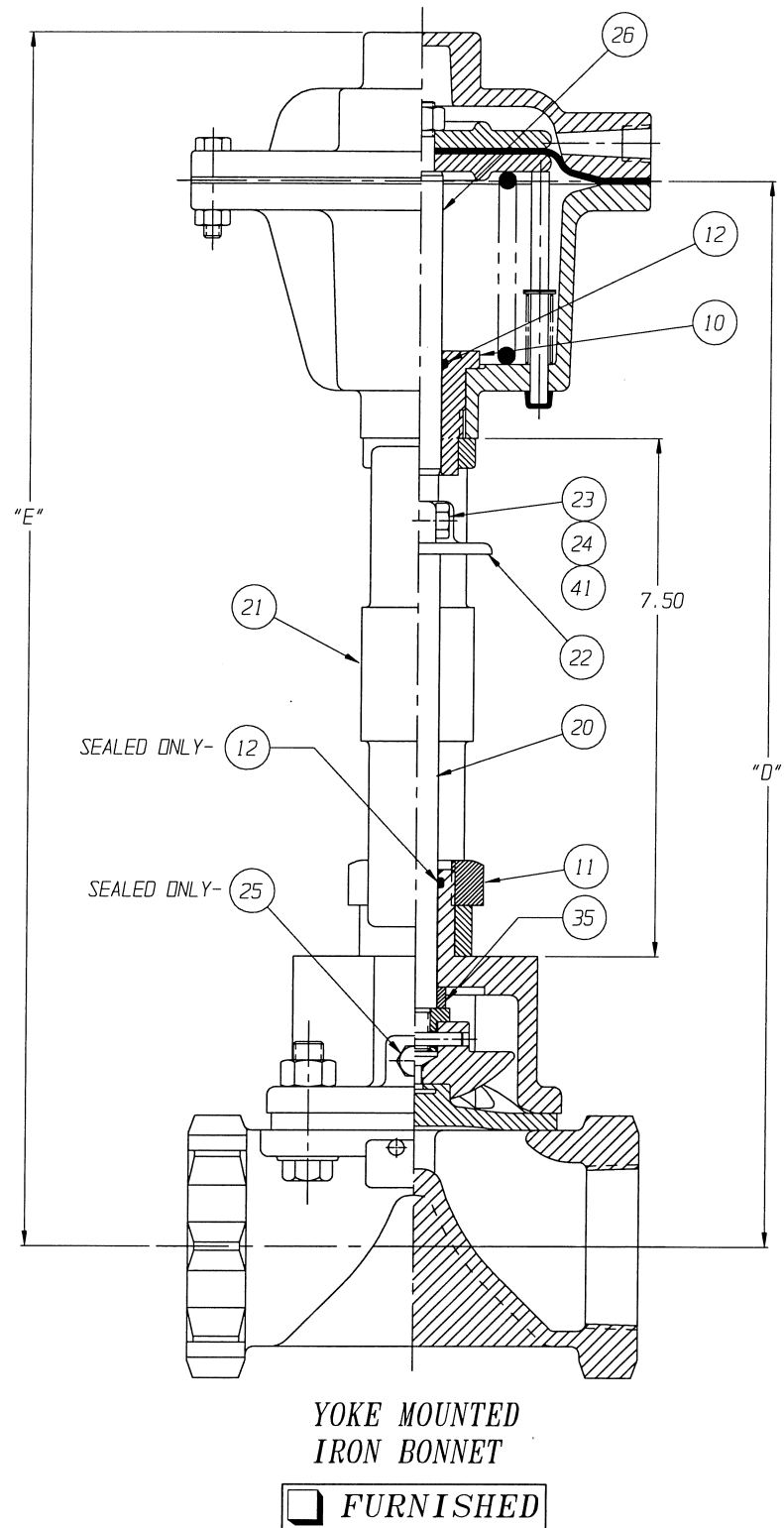
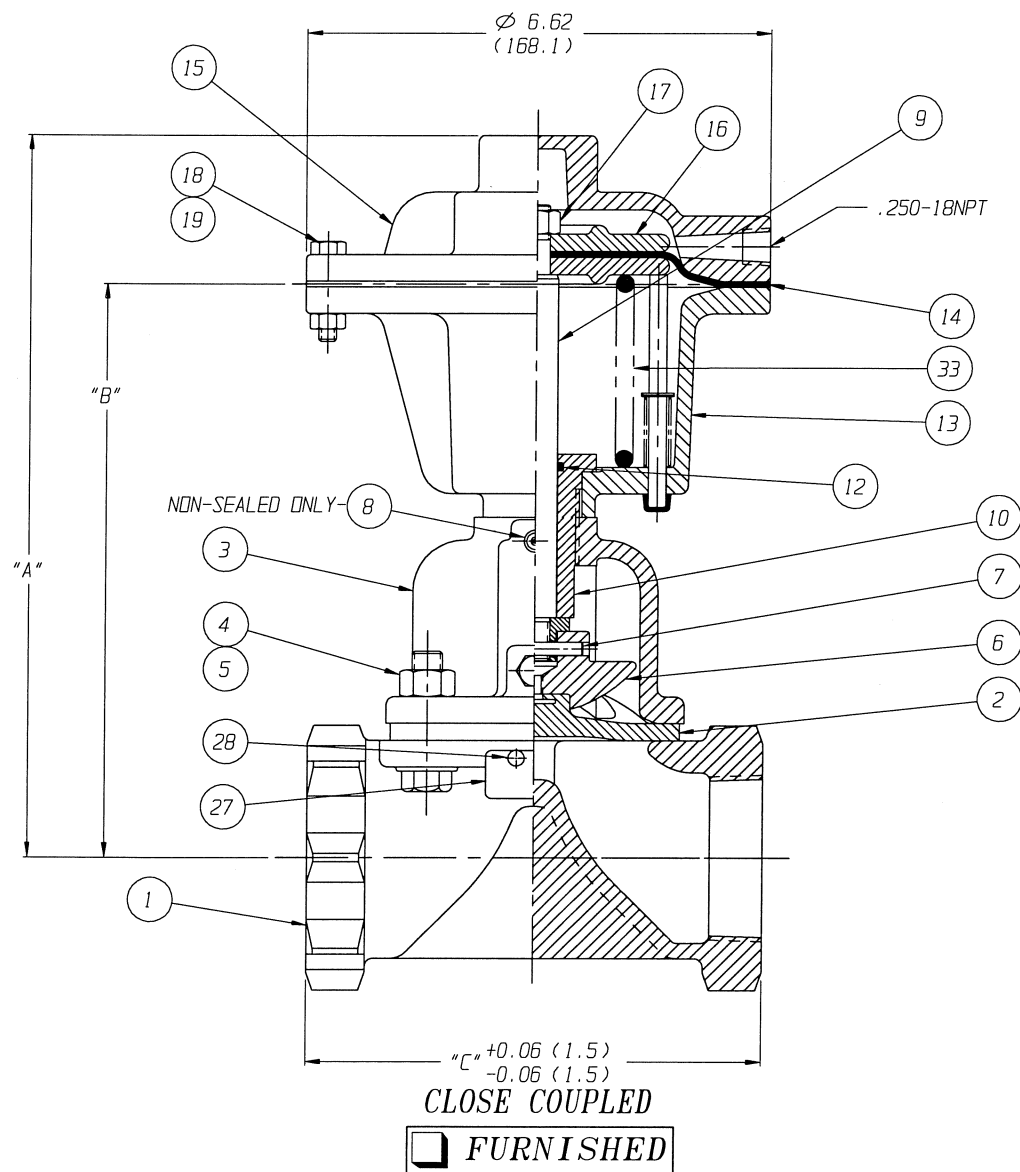


POSITION INDICATOR IS SHOWN 90° FROM TRUE POSITION



ENGRD VALVES ORDER: - ITEM: -  
 SHEET - OF -  
 FIGURE NO.: -  
 CUSTOMER: -  
 CUSTOMER P.O.: -  
 ISSUED BY: - CERTIFIED BY: -

THIRD ANGLE PROJECTION	DATE	BY
	DWN	02-14-02 BLM
	CHKD	02-14-02 STD
	APVD	02-14-02 STD

VALVE ASSEMBLY  
 WEIR 00.50 THRU 02.00  
 #12 DIRECT ACTUATOR  
 WITH SCREWED ENDS

**ITT Industries**  
 Engineered Valves  
 Lancaster, PA USA

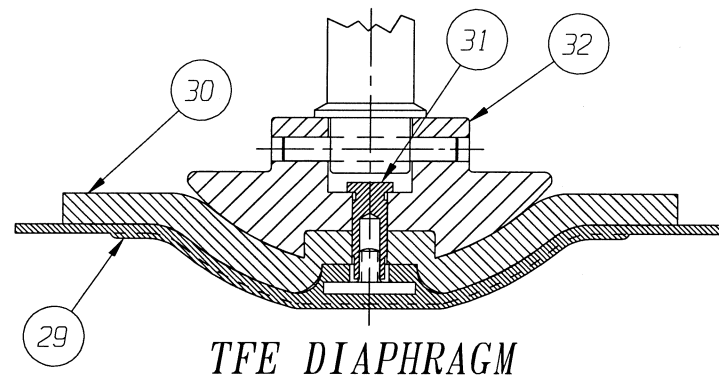
CS	D	004206	REV B
		SHEET 1 OF 2	

ECN# 6601

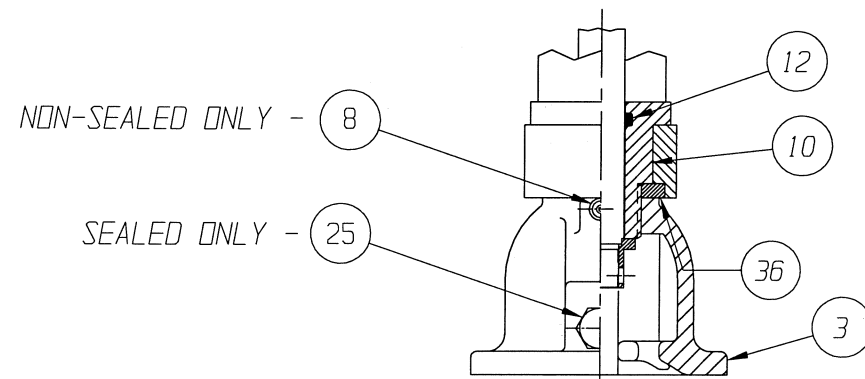
UNLESS OTHERWISE SPECIFIED,  
ALL DIMENSIONS ARE IN INCHES

VALVE SIZE	'A'	'B'	'C'	'D'	'E'	O-RING
00.50	7.29 (185.2)	5.17 (131.2)	2.50 (63.5)	12.67 (321.7)	14.80 (375.9)	#112
00.75	7.91 (200.9)	5.78 (146.9)	3.25 (82.5)	13.28 (337.4)	15.41 (391.5)	
01.00	8.48 (215.4)	6.35 (161.3)	4.25 (108.0)	13.85 (351.8)	15.98 (405.9)	
01.25	9.84 (249.9)	7.71 (195.9)	5.50 (139.7)	15.21 (386.4)	17.34 (440.5)	#114
01.50						
02.00	10.32 (262.1)	8.19 (208.1)	6.50 (165.1)	16.23 (412.3)	18.35 (466.1)	

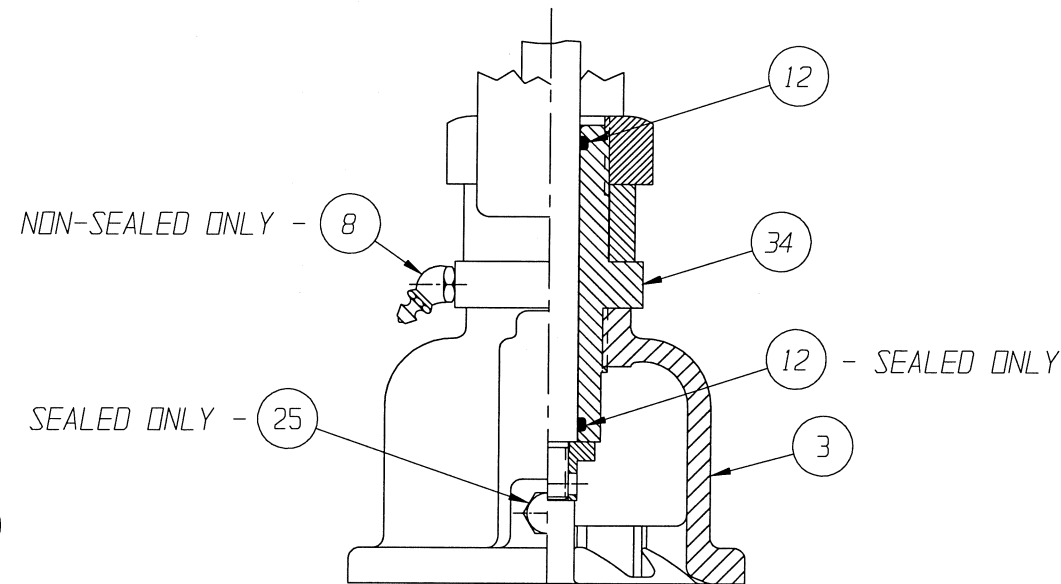
DIMENSIONS SHOWN IN ( ) PARENTHESES ARE MILLIMETERS.



TFE DIAPHRAGM



00.50 THRU 01.00  
STEEL BONNET  
YOKE MOUNTED



01.25 - 02.00  
STEEL BONNET  
YOKE MOUNTED

LIST OF PARTS			
ITEM	DESCRIPTION	MATERIAL	QTY.
1	BODY, SCREWED	-	1
* 2	DIAPHRAGM, ELASTOMER	-	1
3	BONNET, ADAPTER	-	1
4	HEX, CAP SCREWS OR STUDS	-	4
5	NUTS	-	4
6	COMPRESSOR, F/ ELASTOMER DIAPHRAGM	ZINC B-86	1
7	PIN, SPIROL	STN. STL. TYPE 302	1
8	FITTING, LUBE	-	1
9	SPINDLE, VALVE	STN. STL. A-582, TYPE 303	1
10	BUSHING, ADAPTER	-	1
11	NUT, HEAVY HEX. JAM	CAR. STL.	1
* 12	O-RING 'SEE CHART'	BUNA-N	AR
13	COVER, LOWER	ALUMINUM	1
* 14	DIAPHRAGM, AIR MOTOR	BUNA-N	1
15	COVER, UPPER	ALUMINUM	1
16	PLATE, ACTUATOR	ALUMINUM B-85, SC84A	2
17	NUT, HEX JAM	CAR. STL.	1
18	SCREW, HEX HD. CAP	CAR. STL.	12
19	NUT, HEX	CAR. STL.	12
20	SPINDLE, VALVE YOKE	STN. STL. A-582, TYPE 303	1
21	YOKE	D. I. A-395, GR. 60-40-18	1
22	COUPLING, HALF	STN. STL. A-351, GR. CF8	2
23	SCREW, HEX HD. CAP	CAR. STL.	2
24	NUT, HEX	CAR. STL.	2
25	PLUG, VENT	STN. STL. TYPE 304	1
26	SPINDLE, ACTUATOR	STN. STL. A-582, TYPE 302	1
27	PLATE, IDENTIFICATION	STN. STL. A-240, TYPE 304	1
28	SCREW, DRIVE TYPE U	CAR. STL. SAE GR.2	4
* 29	DIAPHRAGM, PTFE	R2	1
* 30	CUSHION, BACKING	ELASTOMER	1
31	NUT, TUBE	BRASS B-16, C36000 H02	1
32	COMPRESSOR, F/ PLASTIC DIAPHRAGM	ZINC B-86	1
33	SPRING #88	STEEL	1
34	BUSHING, ADAPTER	CAR. STL. A-108, GR.12L14	1
Δ 35	SPACER	CAR. STL.	1
▲ 36	SPACER, YOKE	BRASS	1
37	RING, RETAINING	STEEL	1
38	ROD, INDICATING	STN. STL. 18-8	1
39	SPRING #99	STEEL	1
40	CAP	PLASTIC	1
41	WASHER, SPRINGLOCK	CAR. STL.	2
42	WASHER	NYLON	1

\* RECOMMENDED SPARE PARTS

NOTE:

- Δ 1. FOR USE WITH 01.25 THRU 02.00 VALVE ASSEMBLIES, ALSO VALVE TRAVEL WILL BE RESTRICTED TO 0.62.
- ▲ 2. USED ONLY WITH 00.50" STN. STL. BONNET.

ENGRD VALVES ORDER: - \_\_\_\_\_ ITEM: - \_\_\_\_\_  
 SHEET - \_\_\_\_\_ OF - \_\_\_\_\_  
 FIGURE NO.: - \_\_\_\_\_  
 CUSTOMER: - \_\_\_\_\_  
 CUSTOMER P.O.: - \_\_\_\_\_  
 ISSUED BY: \_\_\_\_\_ CERTIFIED BY: \_\_\_\_\_

THIRD ANGLE PROJECTION	DATE	BY
	OWN	02-14-02 BLM
	CHKD	02-14-02 STO
	APVD	02-14-02 STO

ECN# 6601

UNLESS OTHERWISE SPECIFIED,  
ALL DIMENSIONS ARE IN INCHES

VALVE ASSEMBLY  
WEIR 00.50 THRU 02.00  
#12 DIRECT ACTUATOR  
WITH SCREWED ENDS

**ITT Industries**  
Engineered Valves  
Lancaster, PA USA

CS D 004206 REV B  
SHEET 2 OF 2