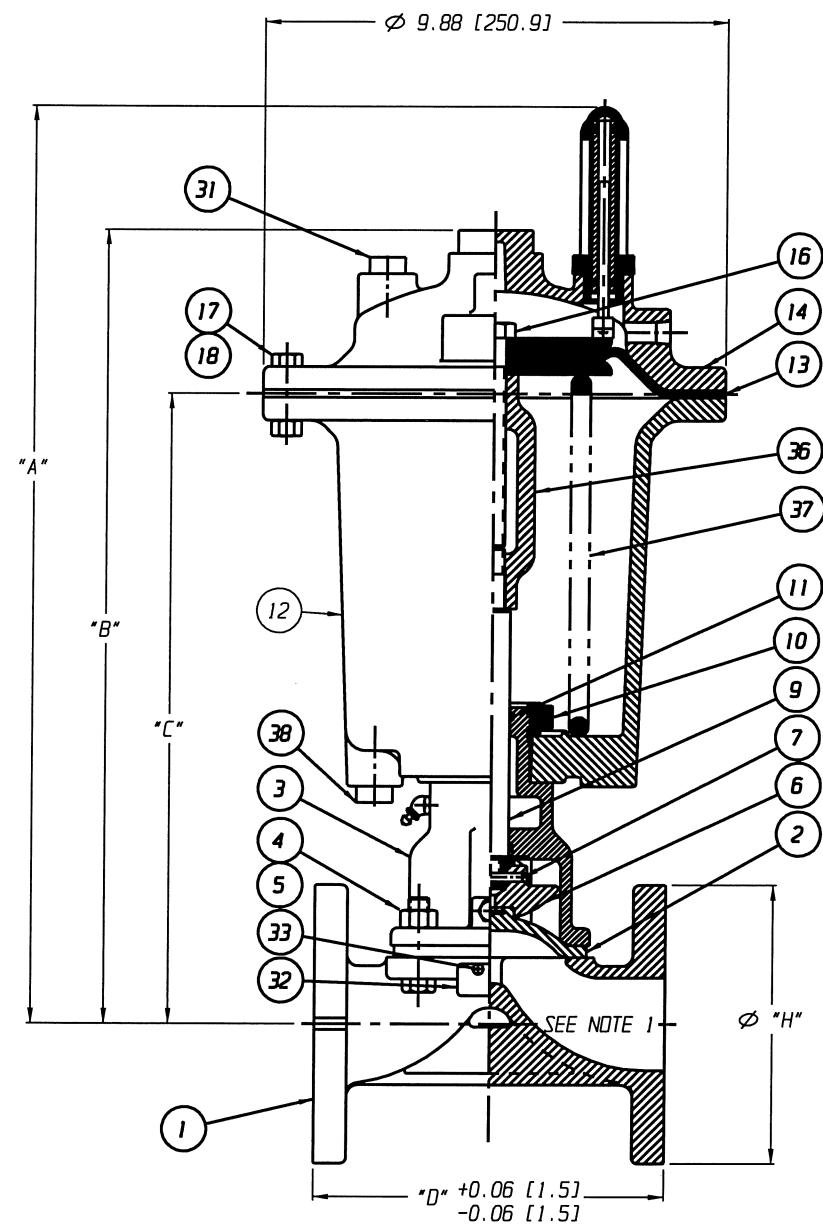
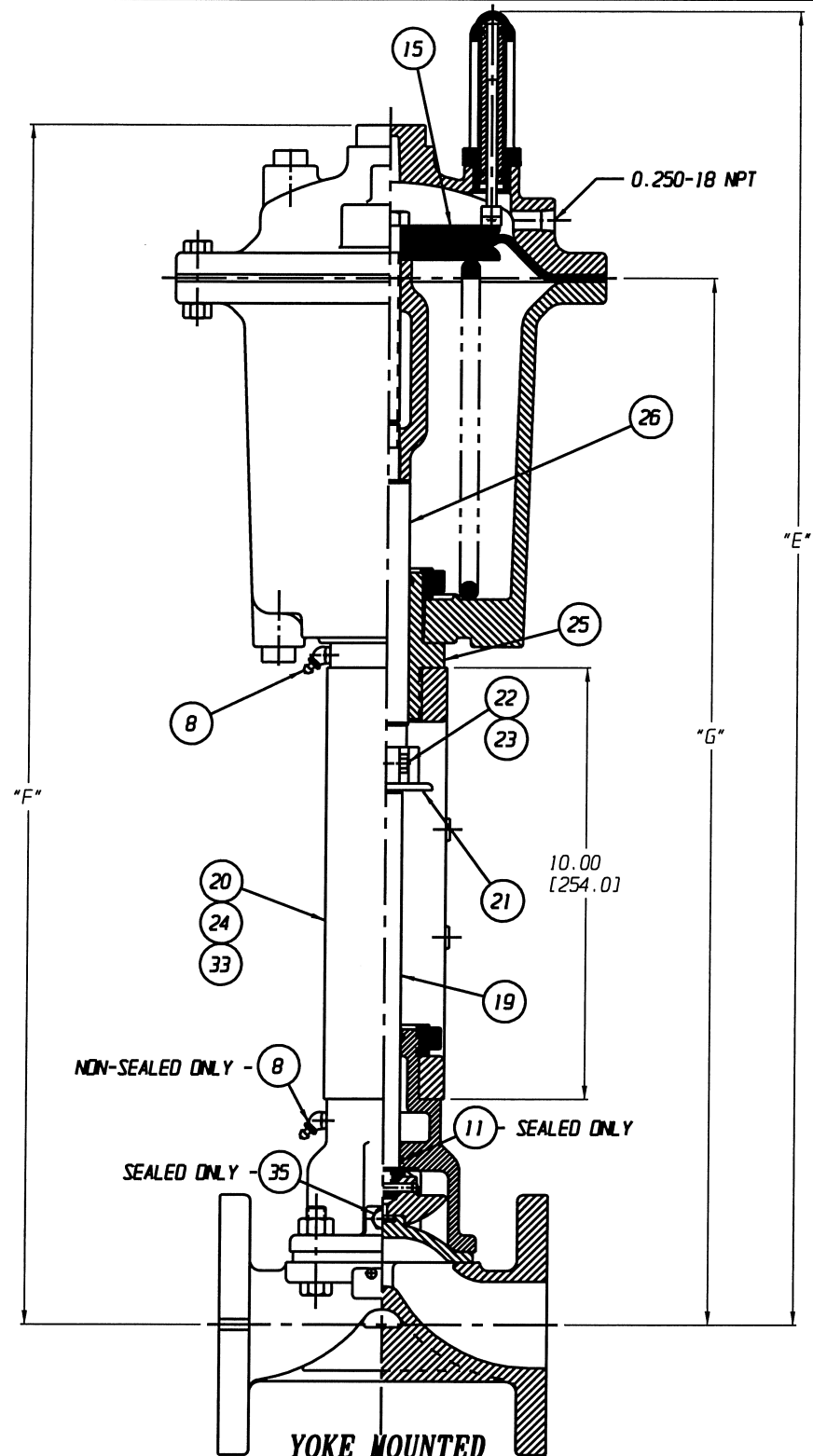


POSITION INDICATOR IS SHOWN 180° FROM TRUE POSITION



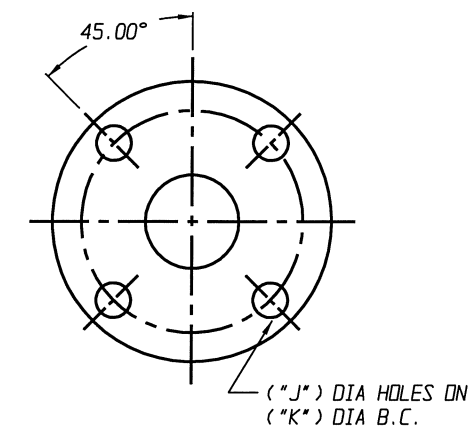
CLOSE COUPLED

FURNISHED



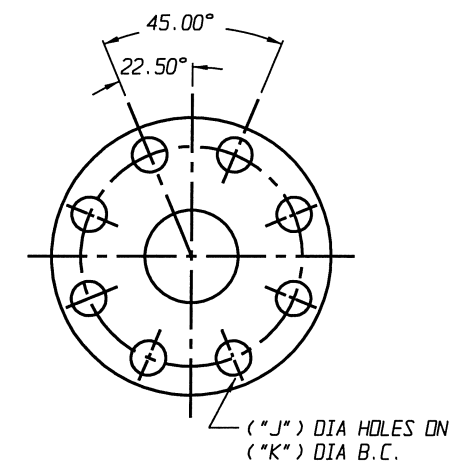
YOKE MOUNTED

FURNISHED



00.50 - 03.00 FLANGE

FURNISHED



04.00 FLANGE

FURNISHED

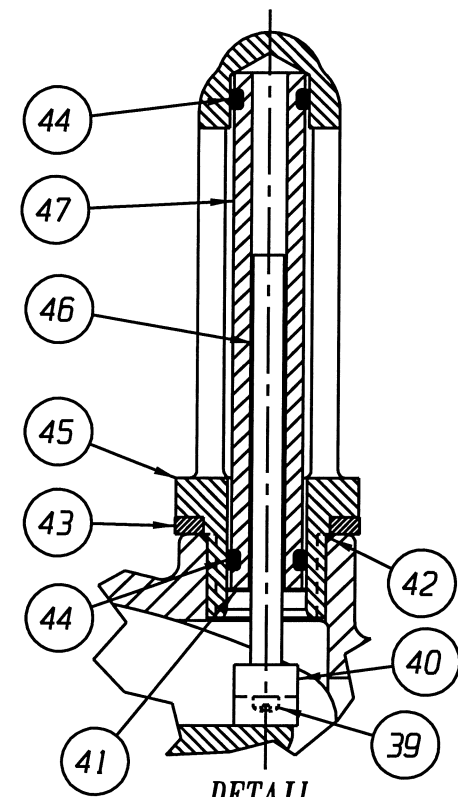
NOTES:
1. VALVE IS BI-DIRECTIONAL (NO FLOW ARROW).

ENGRD VALVES ORDER: - _____ ITEM: - _____
SHEET - _____ OF - _____
FIGURE NO.: - _____
CUSTOMER: - _____
CUSTOMER P.O.: - _____
ISSUED BY: _____ CERTIFIED BY: _____

UNLESS OTHERWISE SPECIFIED, DIMENSIONS NOT SHOWN IN BRACKETS [] ARE IN INCHES.
DIMENSIONS SHOWN IN BRACKETS [] ARE IN MILLIMETERS.

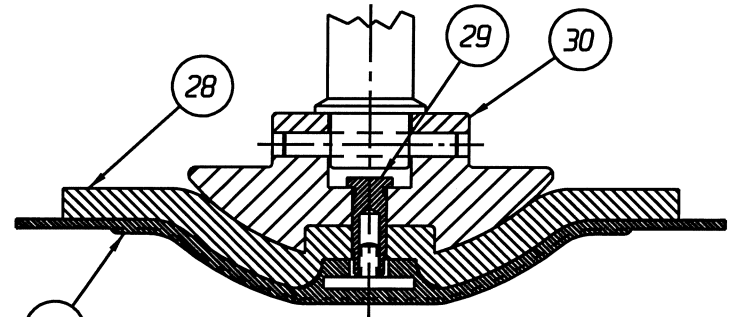
THIRD ANGLE PROJECTION	DATE	BY	VALVE ASSEMBLY
	DWN	07/25/06	JLW
	CHKD	07/25/06	STD
	APVD	07/25/06	STD
VALVE ASSEMBLY WEIR 00.50 THRU 04.00 #25 DIR. ACT. W/ FLANGED FLAT FACE ENDS			
ECN# 10539			ENGINEERED VALVES GROUP LANCASTER, PA USA
ALL DIMENSIONS SHOWN ON THIS DRAWING ARE FOR REFERENCE ONLY			CS D 004235 REV B SHEET 1 OF 2

VALVE SIZE	'A'	'B'	'C'	'D'	'E'	'F'	'G'	'H' DIA	'J' DIA	'K' DIA	QTY. BONNET CAP SCREWS, STUDS/NUTS	O-RING ITEM 11
00.50	17.23 [437.6]	14.58 [370.3]	11.06 [280.9]	4.00 [101.6]	27.80 [706.1]	25.15 [638.8]	21.63 [549.4]	3.50 [88.9]	0.62 [15.7]	2.38 [60.5]	4	#114
00.75	17.87 [453.9]	15.22 [386.6]	11.70 [297.2]	5.50 [139.7]	28.44 [722.4]	25.79 [655.1]	22.27 [565.7]	3.88 [98.6]	0.62 [15.7]	2.75 [69.9]	4	
01.00	17.87 [453.9]	15.22 [386.6]	11.70 [297.2]	5.50 [139.7]	28.44 [722.4]	25.79 [655.1]	22.27 [565.7]	4.25 [107.9]	0.62 [15.7]	3.12 [79.2]	4	
01.25	19.41 [493.0]	16.76 [425.7]	13.24 [336.3]	6.50 [165.1]	29.98 [761.5]	27.33 [694.2]	23.81 [604.8]	5.00 [127.0]	0.62 [15.7]	3.50 [88.9]	4	#116
01.50										3.88 [98.6]		
02.00	19.95 [506.7]	17.30 [439.4]	13.78 [350.0]	7.50 [190.5]	30.52 [775.2]	27.87 [707.9]	24.35 [618.5]	6.00 [152.4]	0.75 [19.1]	4.75 [120.7]	4	
02.50	20.35 [516.9]	17.70 [449.6]	14.18 [360.2]	8.50 [215.9]	30.92 [785.4]	28.27 [718.1]	25.75 [654.1]	7.00 [177.8]	0.75 [19.1]	5.50 [139.7]	4	#214
03.00	21.47 [545.3]	18.82 [478.0]	15.30 [388.6]	10.00 [254.0]	32.04 [813.8]	29.39 [746.5]	25.87 [657.1]	7.50 [190.5]	0.75 [19.1]	6.50 [165.1]	4	
04.00	22.81 [579.4]	20.16 [512.1]	16.64 [422.7]	12.50 [317.5]	33.38 [847.9]	30.73 [780.5]	27.21 [691.1]	9.00 [228.6]	0.75 [19.1]	7.50 [190.5]	8	



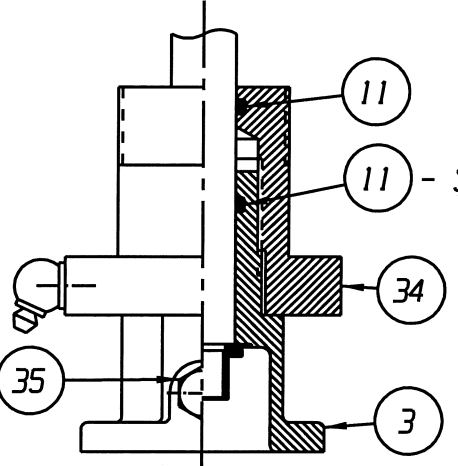
DETAIL
POSITION INDICATOR
(OPTIONAL)

FURNISHED



TFE DIAPHRAGM

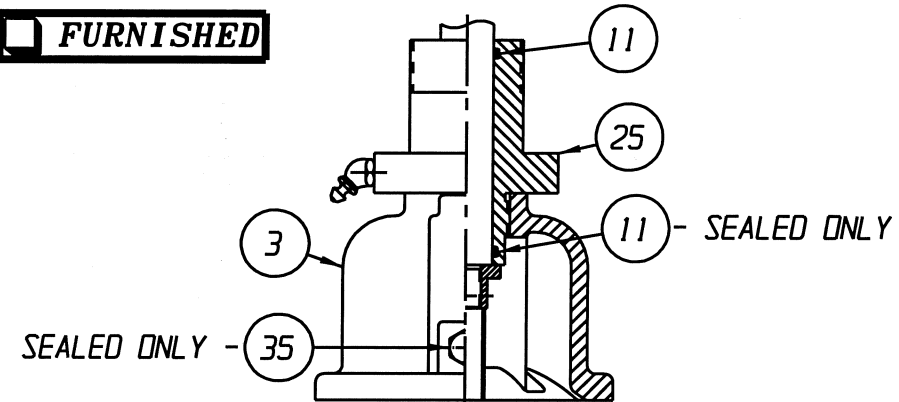
FURNISHED



SEALED ONLY -

BONNET W/ADAPTER SPOOL
00.50 - 01.00 DI BONNET (E/34)
00.50 SS BONNET (E/31)
CLOSE COUPLED & YOKE MOUNTED

FURNISHED



SEALED ONLY -

BONNET W/ADAPTER BUSHING
00.75 - 04.00 SS BONNET (E/31)
02.50 DI BONNET (E/34)
CLOSE COUPLED & YOKE MOUNTED

FURNISHED

LIST OF PARTS			
ITEM	DESCRIPTION	MATERIAL	QTY.
1	BODY, FLANGED	-	1
2	DIAPHRAGM, ELASTOMER	-	1
3	BONNET, ADAPTER	-	1
4	HEX, CAP SCREWS OR STUDS	-	SEE CHART
5	NUTS	-	SEE CHART
6	COMPRESSOR, F/ ELASTOMER DIAPHRAGM	-	1
7	PIN, SPIROL	STN. STL. TYPE 302	1
8	FITTING, LUBE #1744-B	-	AR
9	SPINDLE, VALVE	STN. STL. A-582, TYPE 303	1
10	NUT, ADAPTER BUSHING	M.I. A-47, GR. 32510	AR
11	O-RING 'SEE CHART'	BUNA-N	AR
12	COVER, LOWER	ALUMINUM	1
13	DIAPHRAGM, AIR MOTOR	BUNA-N	1
14	COVER, UPPER	ALUMINUM	1
15	PLATE, ACTUATOR	C.I. A-126, CL. B	2
16	SCREW, HEX. HD. CAP	CAR. STL.	1
17	SCREW, HEX HD. CAP	CAR. STL.	9
18	NUT, HEX	CAR. STL.	9
19	SPINDLE, VALVE YOKE	STN. STL. A-582, TYPE 303	1
20	YOKE	D.I. A-395, GR. 60-40-18	1
21	COUPLING, HALF	STN. STL. A-351, GR. CFB	2
22	SCREW, HEX HD. CAP	CAR. STL.	2
23	NUT, HEX	CAR. STL.	2
24	SCALE, INDICATING	STN. STL.	1
25	BUSHING, ADAPTER	CAR. STL. A-108, GR. 12L14	AR
26	SPINDLE, ACTUATOR	STN. STL. A-582, TYPE 302	1
27	DIAPHRAGM, PTFE	R2	1
28	CUSHION, BACKING	ELASTOMER	1
29	NUT, TUBE	BRASS B-16, C36000 H02	1
30	COMPRESSOR, F/ PTFE DIAPHRAGM	-	1
31	PLUG, PIPE	CAR. STL. A-181, GR. 1	2
32	PLATE, IDENTIFICATION	STN. STL. A-240, TYPE 304	1
33	SCREW, DRIVE TYPE U	CAR. STL. SAE GR. 2	4
34	SPOOL, ADAPTER	CAR. STL. A-108, GR. 12L14	1
35	PLUG, VENT	STN. STL. TYPE 304	1
36	SPINDLE, HEAD	D.I. ASTM A395 GR.60-40-18	1
37	SPRING NO. 103	STEEL ASTM A227	1
38	PLUG, PIPE	PLASTIC	1
39	SCREW, MACHINE FILLISTER HD.	STN. STL. 18-8	1
40	MAGNET, CRUCIBLE U-181	-	1
41	RING, RETAINING	STEEL	1
42	O-RING #115	BUNA-N	1
43	SPACER, INDICATOR HOUSING	ALUMINUM B-211	1
44	O-RING #110	BUNA-N	2
45	HOUSING, INDICATOR	ALUMINUM B-26	1
46	ROD, INDICATOR	ALUMINUM B-211	1
47	TUBE, INDICATOR	PLASTIC	1

* RECOMMENDED SPARE PARTS

ENGRD VALVES ORDER: - ITEM: -
SHEET - OF -
FIGURE NO.: -
CUSTOMER: -
CUSTOMER P.O.: -
ISSUED BY: CERTIFIED BY:

UNLESS OTHERWISE SPECIFIED, DIMENSIONS NOT SHOWN IN BRACKETS [] ARE IN INCHES.
DIMENSIONS SHOWN IN BRACKETS [] ARE IN MILLIMETERS.

THIRD ANGLE PROJECTION	DATE	BY
	DWN 07/25/06	JLW
	CHKD 07/25/06	STD
	APVD 07/25/06	STD

VALVE ASSEMBLY
WEIR 00.50 THRU 04.00
#25 DIR. ACT.
W/ FLANGED FLAT FACE ENDS

ITT Engineered Valves Group
Lancaster, PA USA

ECN# 10539

CS D 004235 REV B
SHEET 2 OF 2

www.engvalves.com