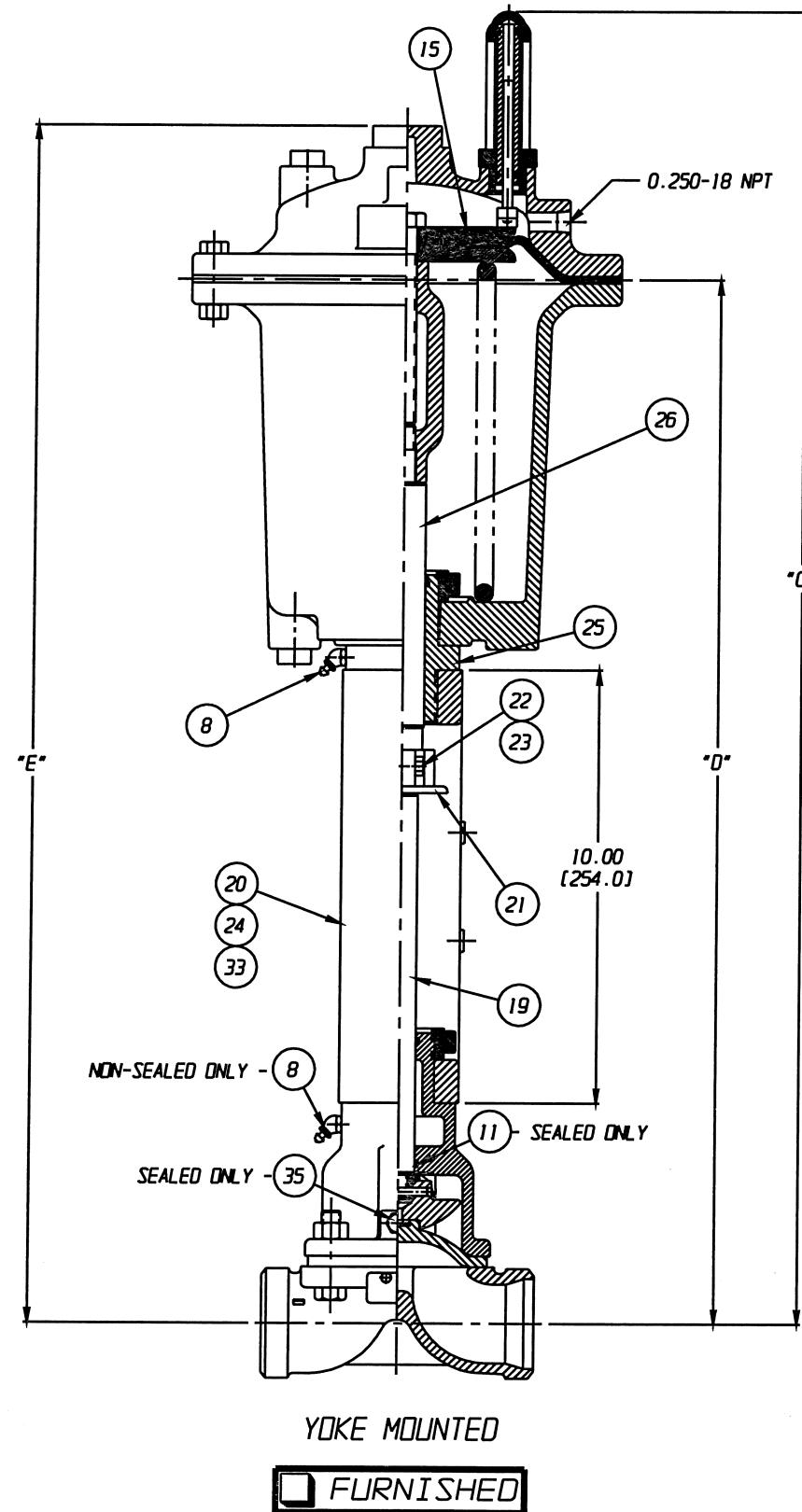
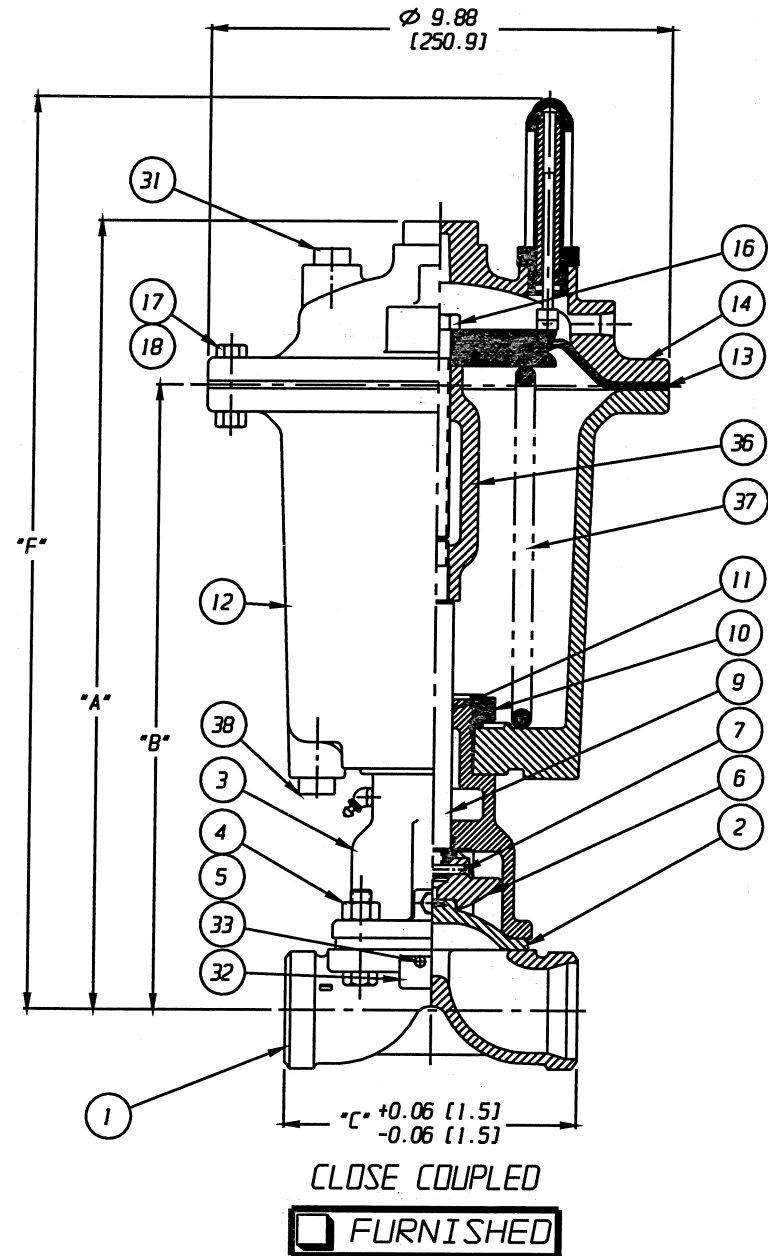

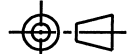


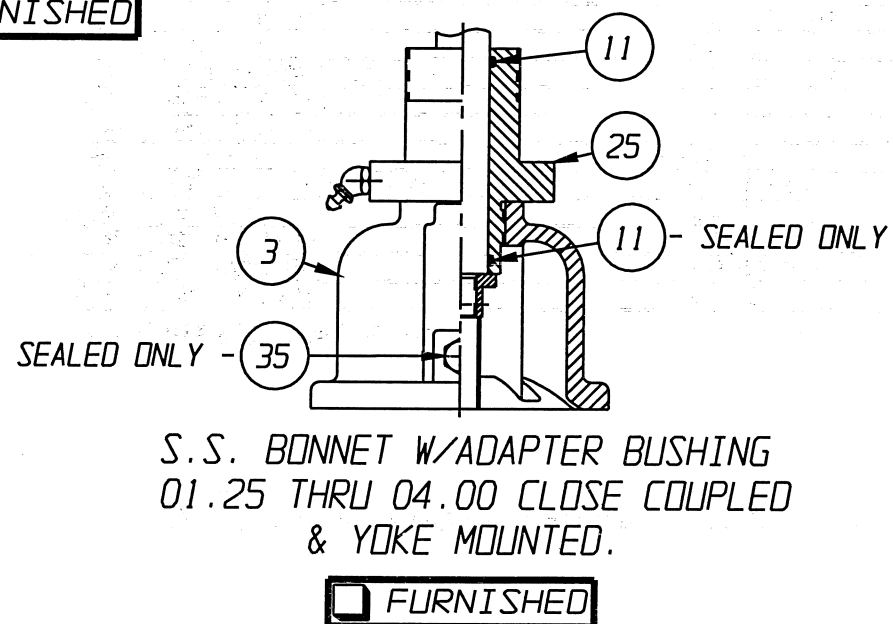
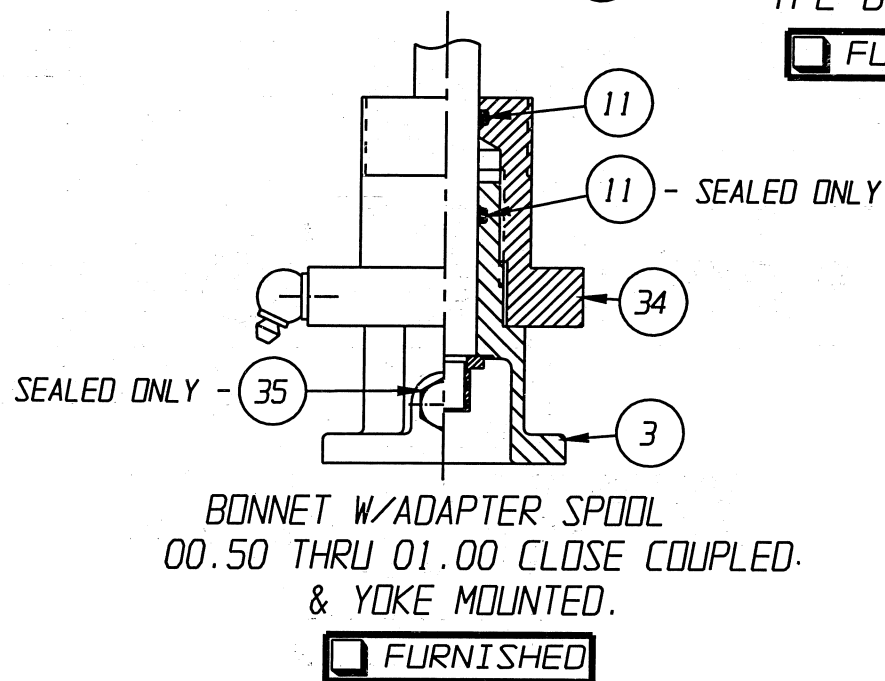
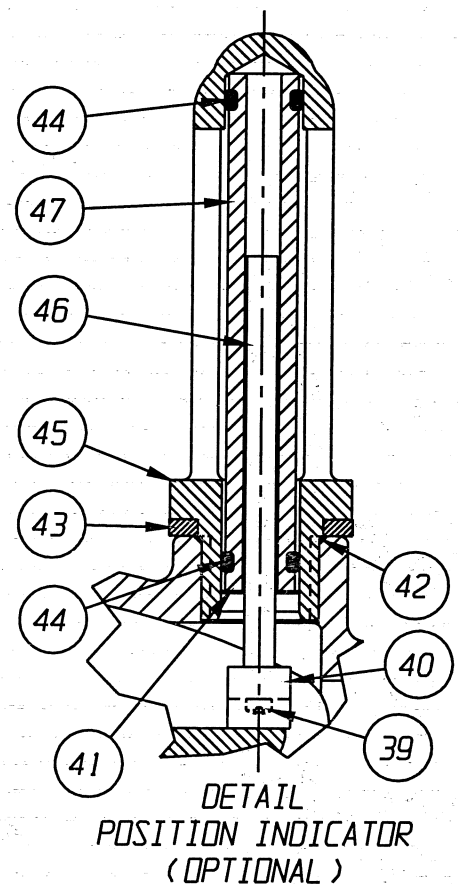
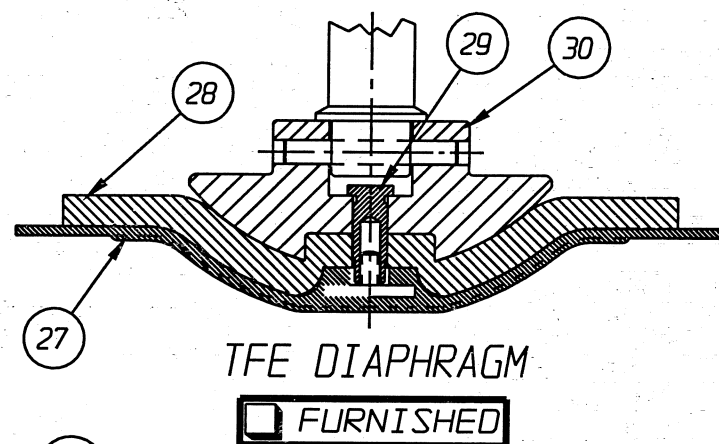
POSITION INDICATOR IS SHOWN 180° FROM TRUE POSITION



UNLESS OTHERWISE SPECIFIED, DIMENSIONS NOT SHOWN IN BRACKETS () ARE IN INCHES. DIMENSIONS SHOWN IN BRACKETS () ARE IN MILLIMETERS.

ENGRD VALVES ORDER: -	ITEM: -	THIRD ANGLE PROJECTION	DATE	BY	VALVE ASSEMBLY	 ITT <small>Engineered Valves www.engvalves.com</small>
FIGURE NO.: -			DWN 12/17/97	JRD	WEIR 00.50 THRU 04.00	
CUSTOMER: -			CHKD 12/17/97	JLW	#25 DIRECT ACTUATOR	<input type="checkbox"/> 000000-000 SHEET 1 OF 2 <small>ISSUED BY: - CERT BY: -</small>
CUSTOMER P.O.: -			APVD 12/17/97	RRK	WITH BUTTWELD ENDS (PIPE)	
		ALL DIMENSIONS SHOWN ON THIS DRAWING ARE FOR REFERENCE ONLY	MASTER DWG: 004236-1/2/A	ECN# 3231		

VALVE SIZE	'A'	'B'	'C'	'D'	'E'	'F'	'G'	QTY. BONNET CAP SCREWS, STUDS/NUTS	O-RING
00.50	14.58 [370.3]	11.05 [280.7]	3.50 [88.9]	21.62 [549.1]	25.15 [638.8]	17.23 [437.6]	27.80 [706.1]	4	#114
00.75	14.68 [372.9]	11.15 [283.2]	4.00 [101.6]	21.72 [551.7]	25.25 [641.4]	17.33 [440.2]	27.90 [708.7]	4	
01.00	15.74 [399.8]	12.46 [316.5]	4.50 [114.3]	22.93 [582.4]	26.31 [668.3]	18.55 [471.2]	29.11 [739.4]	4	
01.25 & 01.50	16.75 [425.5]	13.22 [335.8]	5.50 [139.7]	23.79 [604.3]	27.32 [693.9]	19.40 [492.8]	29.97 [761.2]	4	#116
02.00	17.18 [436.4]	13.65 [346.7]	6.25 [158.8]	24.21 [615.2]	27.75 [704.8]	19.83 [503.7]	30.40 [772.2]	4	#214
02.50	18.25 [463.6]	14.72 [373.9]	7.62 [193.5]	25.29 [642.4]	28.82 [732.0]	20.90 [530.9]	31.47 [799.3]	4	
03.00	18.52 [470.4]	14.99 [380.7]	8.75 [222.2]	25.56 [649.2]	29.09 [738.9]	21.17 [537.7]	31.74 [806.2]	4	
04.00	19.85 [504.2]	16.32 [414.5]	11.50 [292.1]	26.89 [683.0]	30.42 [772.7]	22.50 [571.5]	33.07 [840.0]	8	



LIST OF PARTS			
ITEM	DESCRIPTION	MATERIAL	QTY.
1	BODY, BUTTWELD PIPE	-	1
* 2	DIAPHRAGM, ELASTOMER	-	1
3	BONNET, ADAPTER	-	1
4	HEX, CAP SCREWS OR STUDS	-	SEE CHART
5	NUTS	-	SEE CHART
6	COMPRESSOR, F/ ELASTOMER DIAPHRAGM	-	1
7	PIN, SPIROL	STN. STL. TYPE 302	1
8	FITTING, LUBE #1744-B	-	AR
9	SPINDLE, VALVE	STN. STL. A-582, TYPE 303	1
10	NUT, ADAPTER BUSHING	M.I. A-47, GR. 32510	AR
* 11	O-RING 'SEE CHART'	BUNA-N	AR
12	COVER, LOWER	ALUMINUM	1
* 13	DIAPHRAGM, AIR MOTOR	BUNA-N	1
14	COVER, UPPER	ALUMINUM	1
15	PLATE, ACTUATOR	C.I. A-126, CL. B	2
16	SCREW, HEX. HD. CAP	CAR. STL.	1
17	SCREW, HEX HD. CAP	CAR. STL.	9
18	NUT, HEX	CAR. STL.	9
19	SPINDLE, VALVE YOKE	STN. STL. A-582, TYPE 303	1
20	YOKE	D.I. A-395, GR. 60-40-18	1
21	COUPLING, HALF	STN. STL. A-351, GR. CFB	2
22	SCREW, HEX HD. CAP	CAR. STL.	2
23	NUT, HEX	CAR. STL.	2
24	SCALE, INDICATING	STN. STL.	1
25	BUSHING, ADAPTER	CAR. STL. A-108, GR. 12L14	AR
26	SPINDLE, ACTUATOR	STN. STL. A-582, TYPE 302	1
* 27	DIAPHRAGM, PTFE	R2	1
* 28	CUSHION, BACKING	ELASTOMER	1
29	NUT, TUBE	BRASS B-16, C36000 H02	1
30	COMPRESSOR, F/ PTFE DIAPHRAGM	-	1
31	PLUG, PIPE	CAR. STL. A-181, GR. 1	2
32	PLATE, IDENTIFICATION	STN. STL. A-240, TYPE 304	1
33	SCREW, DRIVE TYPE U	CAR. STL. SAE GR. 2	4
34	SPOOL, ADAPTER	CAR. STL. A-108, GR. 12L14	1
35	PLUG, VENT	STN. STL. TYPE 304	1
36	SPINDLE, HEAD	D.I. ASTM A395 GR.60-40-18	1
37	SPRING NO. 103	STEEL ASTM A227	1
38	PLUG, PIPE	PLASTIC	1
39	SCREW, MACHINE FILLISTER HD.	STN. STL. 18-8	1
40	MAGNET, CRUCIBLE U-181	-	1
41	RING, RETAINING	STEEL	1
* 42	O-RING #115	BUNA-N	1
43	SPACER, INDICATOR HOUSING	ALUMINUM B-211	1
* 44	O-RING #110	BUNA-N	2
45	HOUSING, INDICATOR	ALUMINUM B-26	1
46	ROD, INDICATOR	ALUMINUM B-211	1
47	TUBE, INDICATOR	PLASTIC	1

* RECOMMENDED SPARE PARTS

NOTE:
 ▲ 1. 02.50" FORGING USES SAME DIMENSIONAL DATA AS 03.00".

UNLESS OTHERWISE SPECIFIED, DIMENSIONS NOT SHOWN IN BRACKETS () ARE IN INCHES. DIMENSIONS SHOWN IN BRACKETS () ARE IN MILLIMETERS.

ENGRD VALVES ORDER: -	ITEM: -	THIRD ANGLE PROJECTION	DATE	BY	VALVE ASSEMBLY WEIR 00.50 THRU 04.00 #25 DIRECT ACTUATOR WITH BUTTWELD ENDS (PIPE)	 ITT Engineered Valves www.angvalves.com
FIGURE NO.: -			DWN 12/17/97	DJH		
CUSTOMER: -			CHKD 12/17/97	JLW		D 000000-000 SHEET 2 OF 2 MASTER DWG: 004236-2/2/A ECNM 3231 ISSUED BY: - CERT BY: -
CUSTOMER P.O.: -			APVD 12/17/97	KEH		