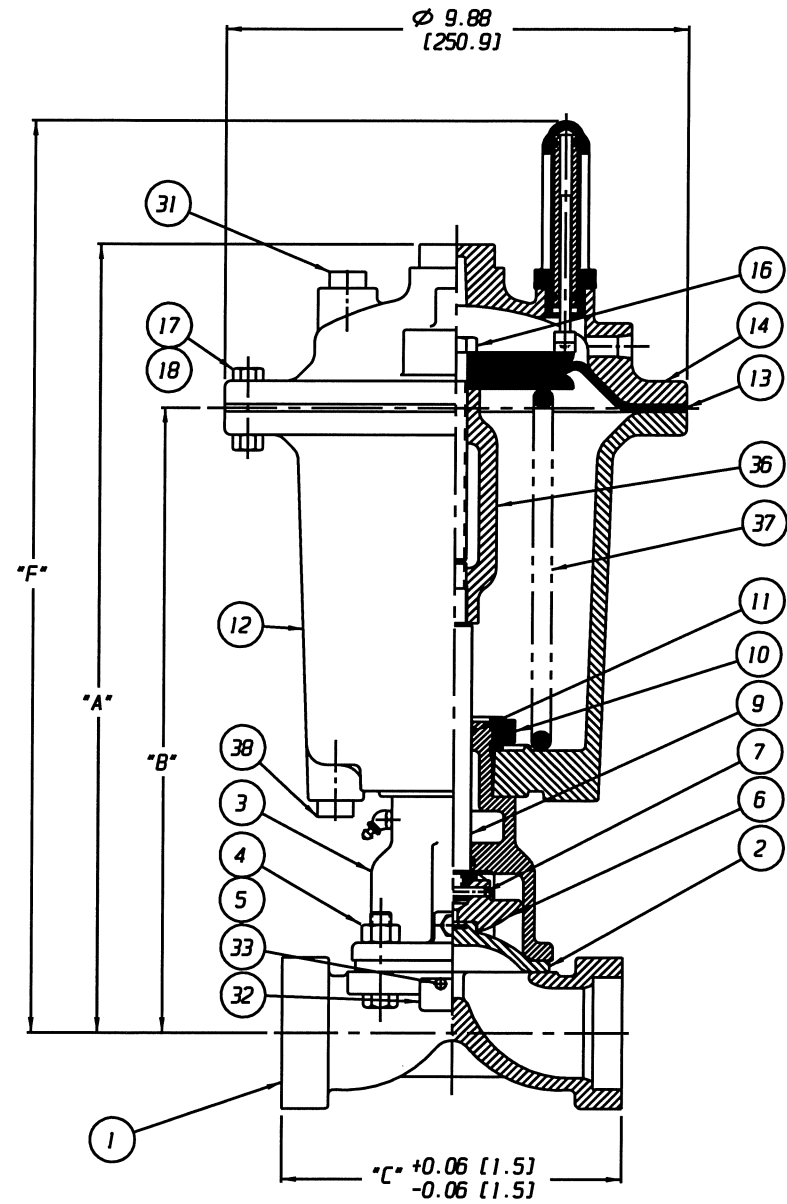
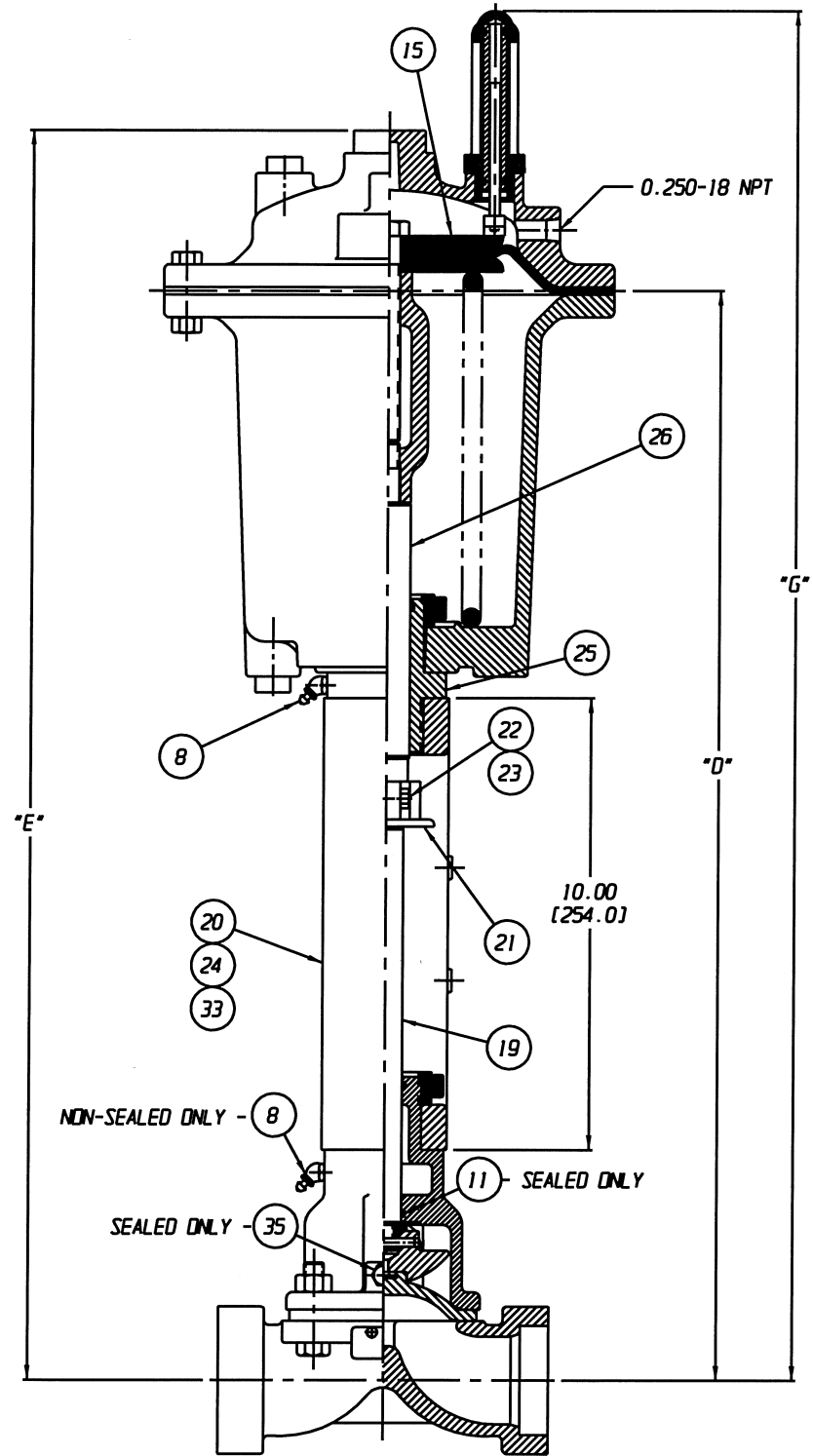


POSITION INDICATOR IS SHOWN 180° FROM TRUE POSITION





CLOSE COUPLED
 FURNISHED

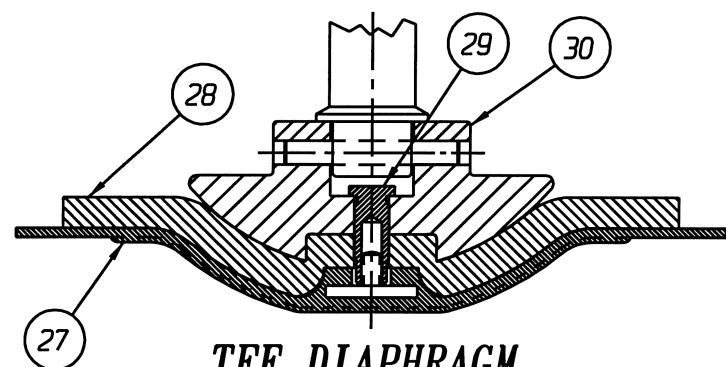


YOKE MOUNTED
 FURNISHED

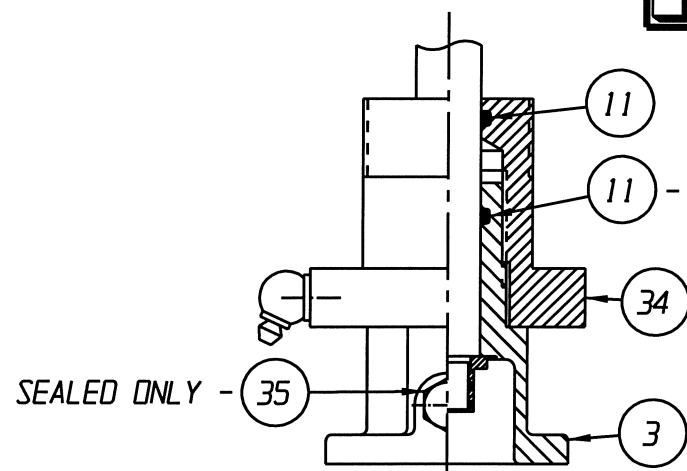
UNLESS OTHERWISE SPECIFIED, DIMENSIONS NOT SHOWN IN BRACKETS [] ARE IN INCHES. DIMENSIONS SHOWN IN BRACKETS () ARE IN MILLIMETERS.

ENGRD VALVES ORDER: -	ITEM: -	THIRD ANGLE PROJECTION	DATE	BY	VALVE ASSEMBLY	 Engined Valves www.engvalves.com
FIGURE NO.: -			DWN 12/17/97	DLH	WEIR 00.50 THRU 03.00	
CUSTOMER: -			CHKD 12/17/97	JLW	#25 DIRECT ACTUATOR	D 000000-000 SHEET 1 OF 2 REV -
CUSTOMER P.D.: -		ALL DIMENSIONS SHOWN ON THIS DRAWING ARE FOR REFERENCE ONLY	APVO 12/17/97	KEH	WITH SOCKET WELD ENDS	
			MASTER DWG: 004239-1/2/A		TECN# 3231	ISSUED BY: - CERT BY: -

VALVE SIZE	'A'	'B'	'C'	'D'	'E'	'F'	'G'	O-RING
00.50	14.58 [370.3]	11.05 [280.7]	3.50 [88.9]	21.62 [549.1]	25.15 [638.8]	17.23 [437.6]	27.80 [706.1]	#114
00.75	14.68 [372.9]	11.15 [283.2]	4.00 [101.6]	21.72 [551.7]	25.25 [641.4]	17.33 [440.2]	27.90 [708.7]	
01.00	15.74 [399.8]	12.46 [316.5]	4.50 [114.3]	22.93 [582.4]	26.31 [668.3]	18.55 [471.2]	29.11 [739.4]	
01.25 & 01.50	16.75 [425.5]	13.22 [335.8]	6.50 [165.1]	23.79 [604.3]	27.32 [693.9]	19.40 [492.8]	29.97 [761.2]	#116
02.00	17.18 [436.4]	13.65 [346.7]	7.25 [184.1]	24.22 [615.2]	27.75 [704.8]	19.83 [503.7]	30.40 [772.2]	#214
02.50	18.25 [463.6]	14.72 [373.9]	8.38 [212.8]	25.29 [642.4]	28.82 [732.0]	20.90 [530.9]	31.47 [799.3]	
03.00	18.52 [470.4]	14.99 [380.7]	9.75 [247.6]	25.56 [649.2]	29.09 [738.9]	21.17 [537.7]	31.74 [806.2]	

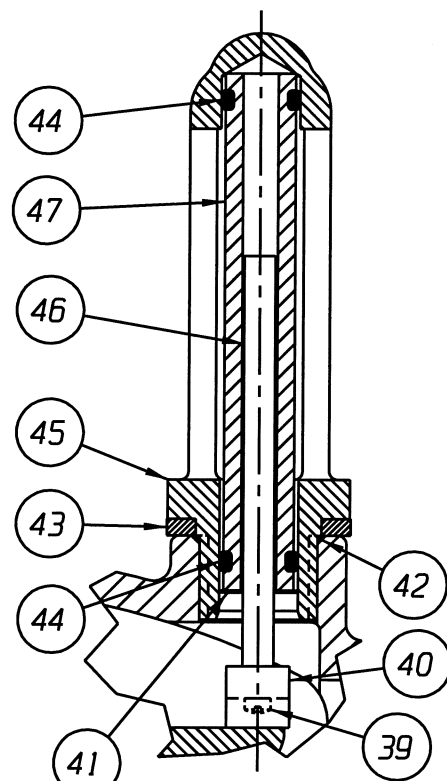


TFE DIAPHRAGM
 FURNISHED



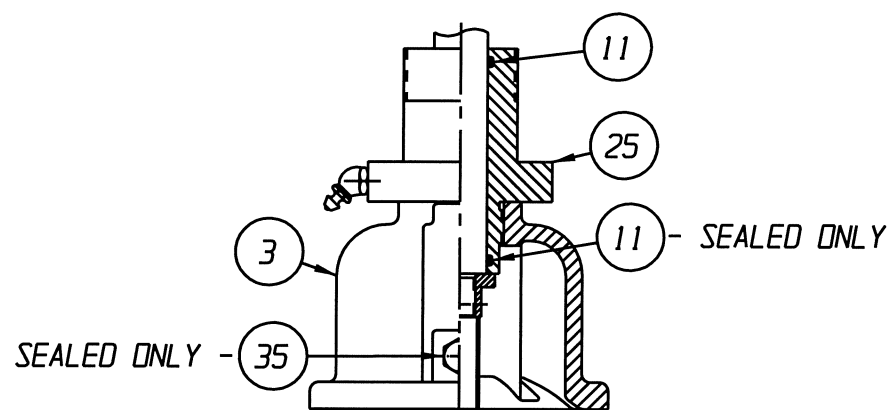
BONNET W/ADAPTER SPOOL
00.50 THRU 01.00 CLOSE COUPLED
& YOKE MOUNTED.

FURNISHED



DETAIL POSITION INDICATOR (OPTIONAL)

FURNISHED




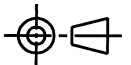
S.S. BONNET W/ADAPTER BUSHING
01.25 THRU 03.00 CLOSE COUPLED
& YOKE MOUNTED.

FURNISHED

LIST OF PARTS			
ITEM	DESCRIPTION	MATERIAL	QTY.
1	BODY, SOCKETWELD PIPE	-	1
2	DIAPHRAGM, ELASTOMER	-	1
3	BONNET, ADAPTER	-	1
4	HEX, CAP SCREWS OR STUDS	-	4
5	NUTS	-	4
6	COMPRESSOR, F/ ELASTOMER DIAPHRAGM	-	1
7	PIN, SPIRO	STN. STL. TYPE 302	1
8	FITTING, LUBE #1744-B	-	AR
9	SPINDLE, VALVE	STN. STL. A-582, TYPE 303	1
10	NUT, ADAPTER BUSHING	M.I. A-47, GR. 32510	AR
11	O-RING 'SEE CHART'	BUNA-N	AR
12	COVER, LOWER	ALUMINUM	1
13	DIAPHRAGM, AIR MOTOR	BUNA-N	1
14	COVER, UPPER	ALUMINUM	1
15	PLATE, ACTUATOR	C.I. A-126, CL. B	2
16	SCREW, HEX. HD. CAP	CAR. STL.	1
17	SCREW, HEX HD. CAP	CAR. STL.	9
18	NUT, HEX	CAR. STL.	9
19	SPINDLE, VALVE YOKE	STN. STL. A-582, TYPE 303	1
20	YOKE	D.I. A-395, GR. 60-40-18	1
21	COUPLING, HALF	STN. STL. A-351, GR. CF8	2
22	SCREW, HEX HD. CAP	CAR. STL.	2
23	NUT, HEX	CAR. STL.	2
24	SCALE, INDICATING	STN. STL.	1
25	BUSHING, ADAPTER	CAR. STL. A-108, GR. 12L14	AR
26	SPINDLE, ACTUATOR	STN. STL. A-582, TYPE 302	1
27	DIAPHRAGM, PTFE	R2	1
28	CUSHION, BACKING	ELASTOMER	1
29	NUT, TUBE	BRASS B-16, C36000 H02	1
30	COMPRESSOR, F/ PTFE DIAPHRAGM	-	1
31	PLUG, PIPE	CAR. STL. A-181, GR. 1	2
32	PLATE, IDENTIFICATION	STN. STL. A-240, TYPE 304	1
33	SCREW, DRIVE TYPE U	CAR. STL. SAE GR. 2	4
34	SPOOL, ADAPTER	CAR. STL. A-108, GR. 12L14	1
35	PLUG, VENT	STN. STL. TYPE 304	1
36	SPINDLE, HEAD	D.I. ASTM A395 GR.60-40-18	1
37	SPRING NO. 103	STEEL ASTM A227	1
38	PLUG, PIPE	PLASTIC	1
39	SCREW, MACHINE FILLISTER HD.	STN. STL. 18-8	1
40	MAGNET, CRUCIBLE U-181	-	1
41	RING, RETAINING	STEEL	1
42	O-RING #115	BUNA-N	1
43	SPACER, INDICATOR HOUSING	ALUMINUM B-211	1
44	O-RING #110	BUNA-N	2
45	HOUSING, INDICATOR	ALUMINUM B-26	1
46	ROD, INDICATOR	ALUMINUM B-211	1
47	TUBE, INDICATOR	PLASTIC	1

* RECOMMENDED SPARE PARTS

UNLESS OTHERWISE SPECIFIED, DIMENSIONS NOT SHOWN IN BRACKETS [] ARE IN INCHES. DIMENSIONS SHOWN IN BRACKETS [] ARE IN MILLIMETERS.

ENGRD VALVES ORDER: -	ITEM: -	THIRD ANGLE PROJECTION	DATE	BY	VALVE ASSEMBLY	 ITT <small>Engineered Valves www.engvalves.com</small>			
FIGURE NO.:			DWN 12/17/97	DLH	WEIR 00.50 THRU 03.00				
CUSTOMER:			CHKD 12/17/97	JLW	#25 DIRECT ACTUATOR				
CUSTOMER P.O.:			APVD 12/17/97	KEH	WITH SOCKET WELD ENDS				
ALL DIMENSIONS SHOWN ON THIS DRAWING ARE FOR REFERENCE ONLY			MASTER DWG: 004239-2/2/A	ECN# 3231	ISSUED BY: -	<table border="1"> <tr> <td>000000-000</td> <td>SHEET 2 OF 2</td> <td>REV -</td> </tr> </table>	000000-000	SHEET 2 OF 2	REV -
000000-000	SHEET 2 OF 2	REV -							