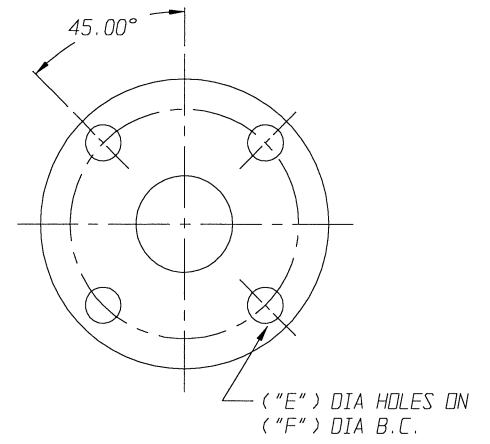
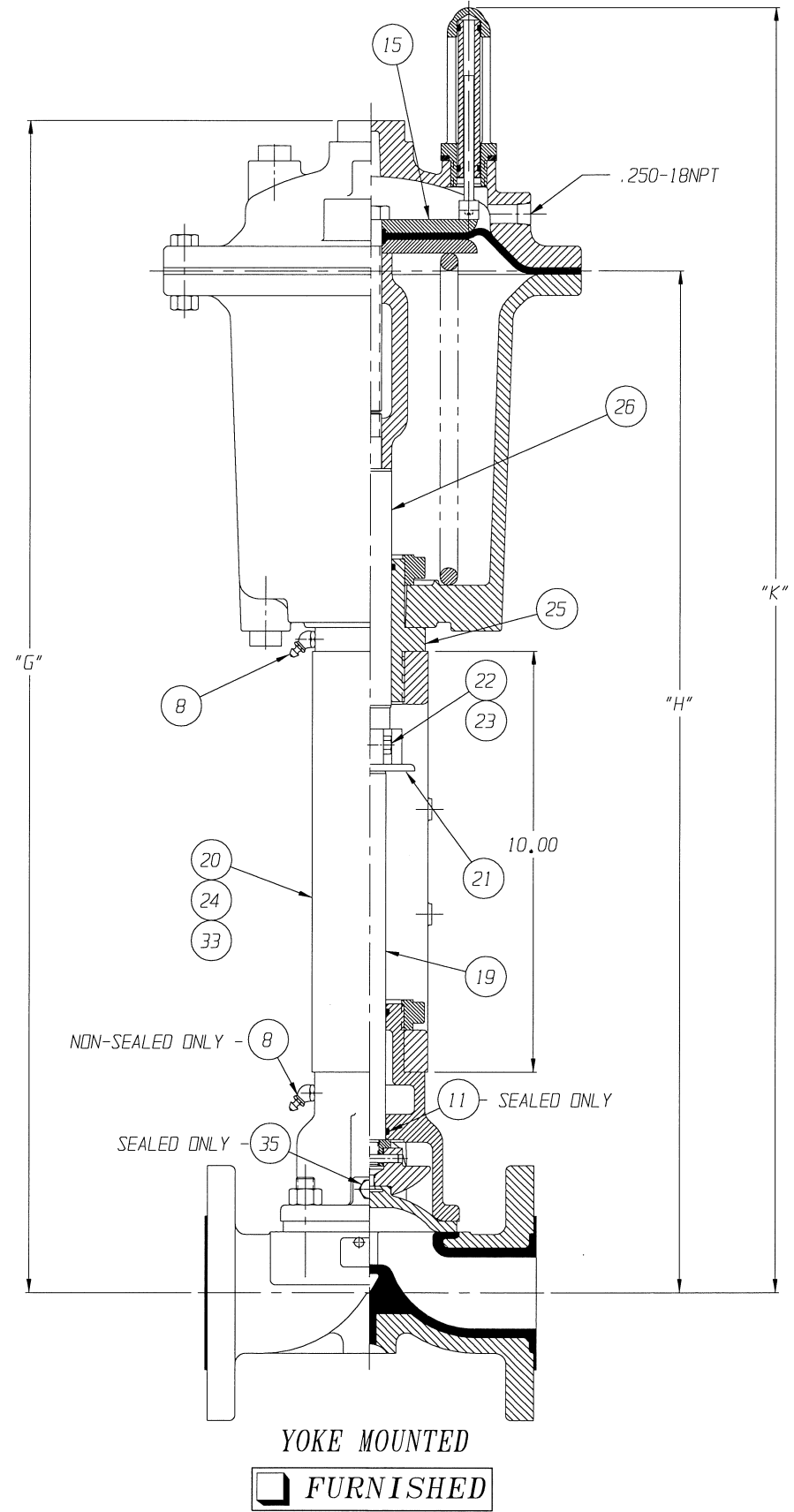
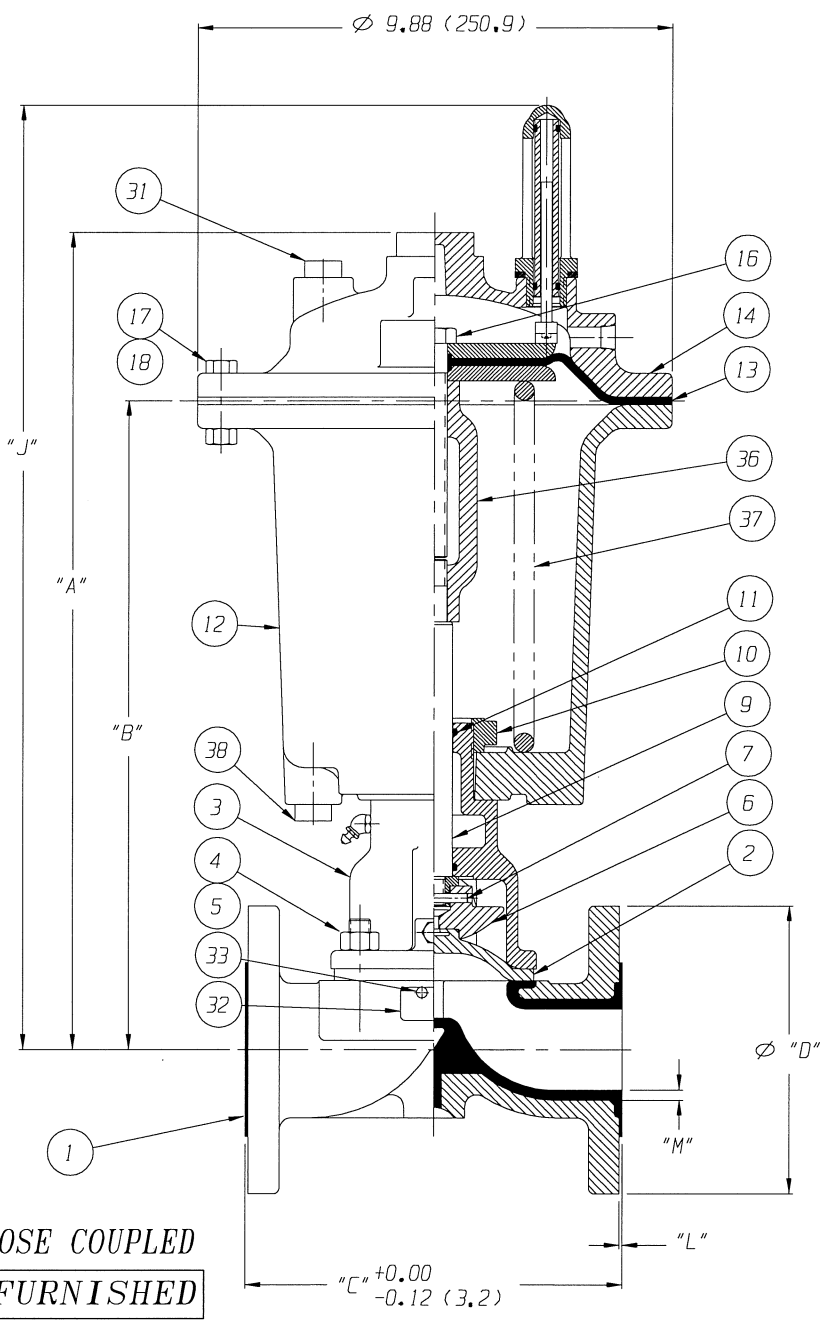
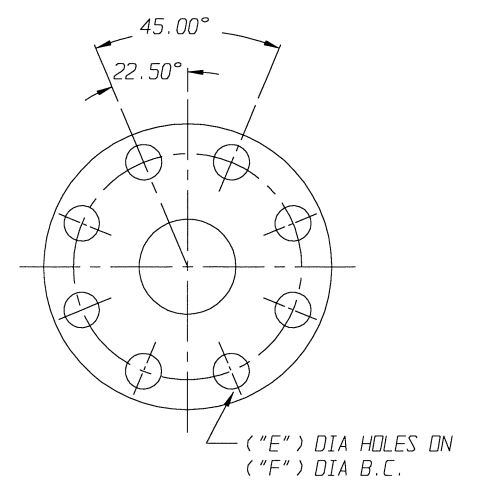


POSITION INDICATOR IS SHOWN 180° FROM TRUE POSITION



00.50 - 03.00 FLANGE

FURNISHED



04.00 FLANGE

FURNISHED

ITEM \_\_\_\_\_ SHEET \_\_\_\_ OF \_\_\_\_

SIZE \_\_\_\_\_ FIG. NO. \_\_\_\_\_

ECN# 146

ITT ENGRD VLVS ORDER: \_\_\_\_\_  
 CUSTOMER: - \_\_\_\_\_  
 CUSTOMER P.O.: - \_\_\_\_\_  
 ISSUED BY: \_\_\_\_\_ CERTIFIED BY: \_\_\_\_\_

| REV | DATE     | ECN NBR | BY  | CHKD | APVD | DATE    | BY  |
|-----|----------|---------|-----|------|------|---------|-----|
| -   | -        | -       | -   | -    | -    | 9/11/96 | JRD |
| B   | 12/17/97 | 3231    | DLH | JLW  | KEH  | 9/12/96 | JLW |
| A   | 5/28/97  | 2598    | GTS | JLW  | RRK  | 9/16/96 | RRK |

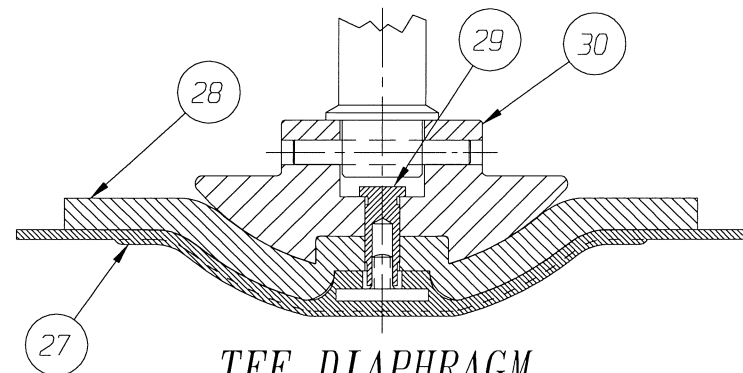
VALVE ASSEMBLY  
 WEIR 00.75 THRU 04.00  
 #25 DIRECT ACTUATOR  
 WITH FLANGED ENDS  
 PLASTIC LINED

**ITT Engineered Valves**  
 ITT Fluid Technology Corporation  
 Lancaster, Pa

|    |   |              |       |
|----|---|--------------|-------|
| CS | D | 004242       | REV B |
|    |   | SHEET 1 OF 2 |       |

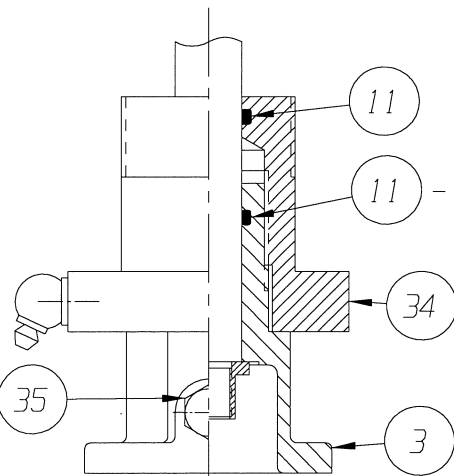
| VALVE SIZE | 'A'              | 'B'              | 'C'              | 'D' DIA         | 'E' DIA          | 'F' DIA         | 'G'              | 'H'              | 'J'              | 'K'              | 'L'           | 'M'            | O-RING | QTY. BODY STUDS/NUTS |
|------------|------------------|------------------|------------------|-----------------|------------------|-----------------|------------------|------------------|------------------|------------------|---------------|----------------|--------|----------------------|
| 00.75      | 14.89<br>(378.2) | 11.37<br>(288.8) | 5.88<br>(149.4)  | 3.88<br>(98.5)  | .500 -<br>13 UNC | 2.75<br>(69.8)  | 25.47<br>(646.9) | 21.94<br>(557.3) | 17.55<br>(445.8) | 28.12<br>(714.2) | 0.06<br>(1.5) | 0.19<br>(4.83) | #114   | 4                    |
| 01.00      | 15.49<br>(393.4) | 11.96<br>(303.8) | 6.94<br>(176.3)  | 4.25<br>(107.9) | 0.62<br>(15.7)   | 3.12<br>(79.2)  | 26.05<br>(661.7) | 22.53<br>(572.3) | 18.14<br>(460.8) | 28.71<br>(729.2) | 0.06<br>(1.5) | 0.20<br>(5.1)  | #116   | 4                    |
| 01.25      | 16.76<br>(425.7) | 13.23<br>(336.0) | 7.94<br>(201.7)  | 5.00<br>(127.0) | .500 -<br>13 UNC | 4.75<br>(120.6) | 27.76<br>(705.1) | 24.23<br>(615.4) | 19.84<br>(503.9) | 30.41<br>(772.4) | 0.06<br>(1.5) | 0.22<br>(5.6)  | #214   | 4                    |
| 01.50      | 17.19<br>(436.6) | 13.66<br>(347.0) | 8.94<br>(227.1)  | 6.00<br>(152.4) | 0.62<br>(15.7)   | 5.50<br>(139.7) | 28.96<br>(735.6) | 25.43<br>(645.9) | 21.04<br>(534.4) | 31.61<br>(799.8) | 0.12<br>(3.0) | 0.25<br>(6.3)  | #114   | 4                    |
| 02.00      | 18.39<br>(467.1) | 14.86<br>(377.4) | 10.38<br>(263.6) | 7.00<br>(177.8) | 0.75<br>(19.0)   | 6.00<br>(152.4) | 29.00<br>(736.6) | 25.47<br>(646.9) | 21.08<br>(535.4) | 31.65<br>(803.9) | 0.12<br>(3.0) | 0.25<br>(6.3)  | #116   | 4                    |
| 02.50      | 18.43<br>(468.1) | 14.90<br>(378.5) | 12.94<br>(328.7) | 7.50<br>(190.5) | 0.75<br>(19.0)   | 7.50<br>(190.5) | 30.74<br>(780.8) | 27.21<br>(691.1) | 22.82<br>(579.6) | 33.39<br>(848.1) | 0.12<br>(3.0) | 0.25<br>(6.3)  | #214   | 4                    |
| 03.00      | 20.17<br>(512.3) | 16.64<br>(422.7) | 12.94<br>(328.7) | 9.00<br>(228.6) | 0.75<br>(19.0)   | 7.50<br>(190.5) | 30.74<br>(780.8) | 27.21<br>(691.1) | 22.82<br>(579.6) | 33.39<br>(848.1) | 0.12<br>(3.0) | 0.25<br>(6.3)  | #214   | 8                    |

DIMENSIONS SHOWN IN ( ) PARENTHESES ARE MILLIMETERS.



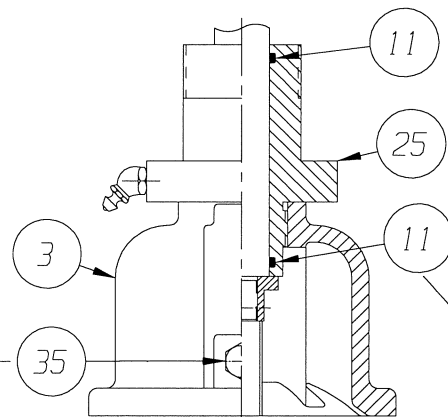
**TFE DIAPHRAGM**

FURNISHED



SEALED ONLY -

SEALED ONLY -



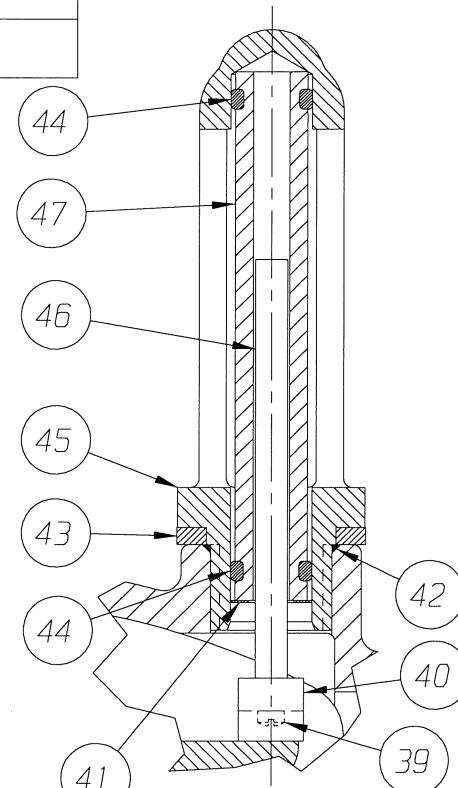
SEALED ONLY

**BONNET W/ADAPTER SPOOL**  
00.75 THRU 01.00 CLOSE COUPLED  
& YOKE MOUNTED.

FURNISHED

**S.S. BONNET W/ADAPTER BUSHING**  
01.25 THRU 04.00 CLOSE COUPLED  
& YOKE MOUNTED.

FURNISHED



**DETAIL**  
**POSITION INDICATOR**  
(OPTIONAL)

FURNISHED

| LIST OF PARTS |                                    |                            |           |
|---------------|------------------------------------|----------------------------|-----------|
| ITEM          | DESCRIPTION                        | MATERIAL                   | QTY.      |
| 1             | BODY, FLANGED PLASTIC LINED        | -                          | 1         |
| * 2           | DIAPHRAGM                          | -                          | 1         |
| 3             | BONNET, ADAPTER                    | -                          | 1         |
| 4             | STUDS                              | -                          | SEE CHART |
| 5             | NUTS                               | -                          | SEE CHART |
| 6             | COMPRESSOR, F/ ELASTOMER DIAPHRAGM | -                          | 1         |
| 7             | PIN, SPIROL                        | STN. STL. TYPE 302         | 1         |
| 8             | FITTING, LUBE #1744-B              | -                          | AR        |
| 9             | SPINDLE, VALVE                     | STN. STL. A-582, TYPE 303  | 1         |
| 10            | NUT, ADAPTER BUSHING               | M.I. A-47, GR. 32510       | AR        |
| * 11          | O-RING 'SEE CHART'                 | BUNA-N                     | AR        |
| 12            | COVER, LOWER                       | ALUMINUM                   | 1         |
| * 13          | DIAPHRAGM, AIR MOTOR               | BUNA-N                     | 1         |
| 14            | COVER, UPPER                       | ALUMINUM                   | 1         |
| 15            | PLATE, ACTUATOR                    | C.I. A-126, CL. B          | 2         |
| 16            | SCREW, HEX. HD. CAP                | CAR. STL.                  | 1         |
| 17            | SCREW, HEX HD. CAP                 | CAR. STL.                  | 9         |
| 18            | NUT, HEX                           | CAR. STL.                  | 9         |
| 19            | SPINDLE, VALVE YOKE                | STN. STL. A-582, TYPE 303  | 1         |
| 20            | YOKE                               | D.I. A-395, GR. 60-40-18   | 1         |
| 21            | COUPLING, HALF                     | STN. STL. A-351, GR. CF8   | 2         |
| 22            | SCREW, HEX HD. CAP                 | CAR. STL.                  | 2         |
| 23            | NUT, HEX                           | CAR. STL.                  | 2         |
| 24            | SCALE, INDICATING                  | STN. STL.                  | 1         |
| 25            | BUSHING, ADAPTER                   | CAR. STL. A-108, GR. 12L14 | AR        |
| 26            | SPINDLE, ACTUATOR                  | STN. STL. A-582, TYPE 302  | 1         |
| * 27          | DIAPHRAGM, PTFE                    | R2                         | 1         |
| * 28          | CUSHION, BACKING                   | ELASTOMER                  | 1         |
| 29            | NUT, TUBE                          | BRASS B-16, C36000 H02     | 1         |
| 30            | COMPRESSOR, F/ PTFE DIAPHRAGM      | -                          | 1         |
| 31            | PLUG, PIPE                         | CAR. STL. A-181, GR. 1     | 2         |
| 32            | PLATE, IDENTIFICATION              | STN. STL. A-240, TYPE 304  | 1         |
| 33            | SCREW, DRIVE TYPE U                | CAR. STL. SAE GR. 2        | 4         |
| 34            | SPOOL, ADAPTER                     | CAR. STL. A-108, GR. 12L14 | 1         |
| 35            | PLUG, VENT                         | STN. STL. TYPE 304         | 1         |
| 36            | SPINDLE, HEAD                      | D.I. ASTM A395 GR.60-40-18 | 1         |
| 37            | SPRING NO. 103                     | STEEL ASTM A227            | 1         |
| 38            | PLUG, PIPE                         | PLASTIC                    | 1         |
| 39            | SCREW, MACHINE FILLISTER HD.       | STN. STL. 18-8             | 1         |
| 40            | MAGNET, CRUCIBLE U-181             | -                          | 1         |
| 41            | RING, RETAINING                    | STEEL                      | 1         |
| * 42          | O-RING #115                        | BUNA-N                     | 1         |
| 43            | SPACER, INDICATOR HOUSING          | ALUMINUM B-211             | 1         |
| * 44          | O-RING #110                        | BUNA-N                     | 2         |
| 45            | HOUSING, INDICATOR                 | ALUMINUM B-26              | 1         |
| 46            | ROD, INDICATOR                     | ALUMINUM B-211             | 1         |
| 47            | TUBE, INDICATOR                    | PLASTIC                    | 1         |

\* RECOMMENDED SPARE PARTS

ITEM \_\_\_\_\_ SHEET \_\_\_\_\_ OF \_\_\_\_\_

ECN# 146

ITT ENGRD VLVS ORDER: \_\_\_\_\_  
CUSTOMER: \_\_\_\_\_  
CUSTOMER P.O.: \_\_\_\_\_  
ISSUED BY: \_\_\_\_\_ CERTIFIED BY: \_\_\_\_\_

| REV | DATE     | ECN NBR | BY  | CHKD | APVD | DATE    | BY  |
|-----|----------|---------|-----|------|------|---------|-----|
| -   | -        | -       | -   | -    | -    | 9/11/96 | JRD |
| B   | 12/17/97 | 3231    | DLH | JLW  | KEH  | 9/12/96 | JLW |
| A   | 5/28/97  | 2598    | GTS | JLW  | RRK  | 9/16/96 | RRK |

VALVE ASSEMBLY  
WEIR 00.75 THRU 04.00  
#25 DIRECT ACTUATOR  
WITH FLANGED ENDS  
PLASTIC LINED

**ITT Engineered Valves**  
ITT Fluid Technology Corporation  
Lancaster, Pa

CS D 004242 REV B  
SHEET 2 OF 2