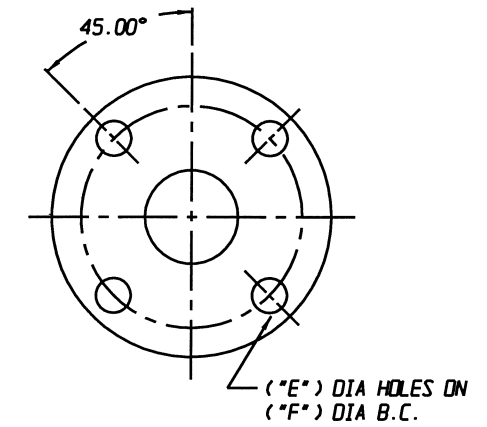
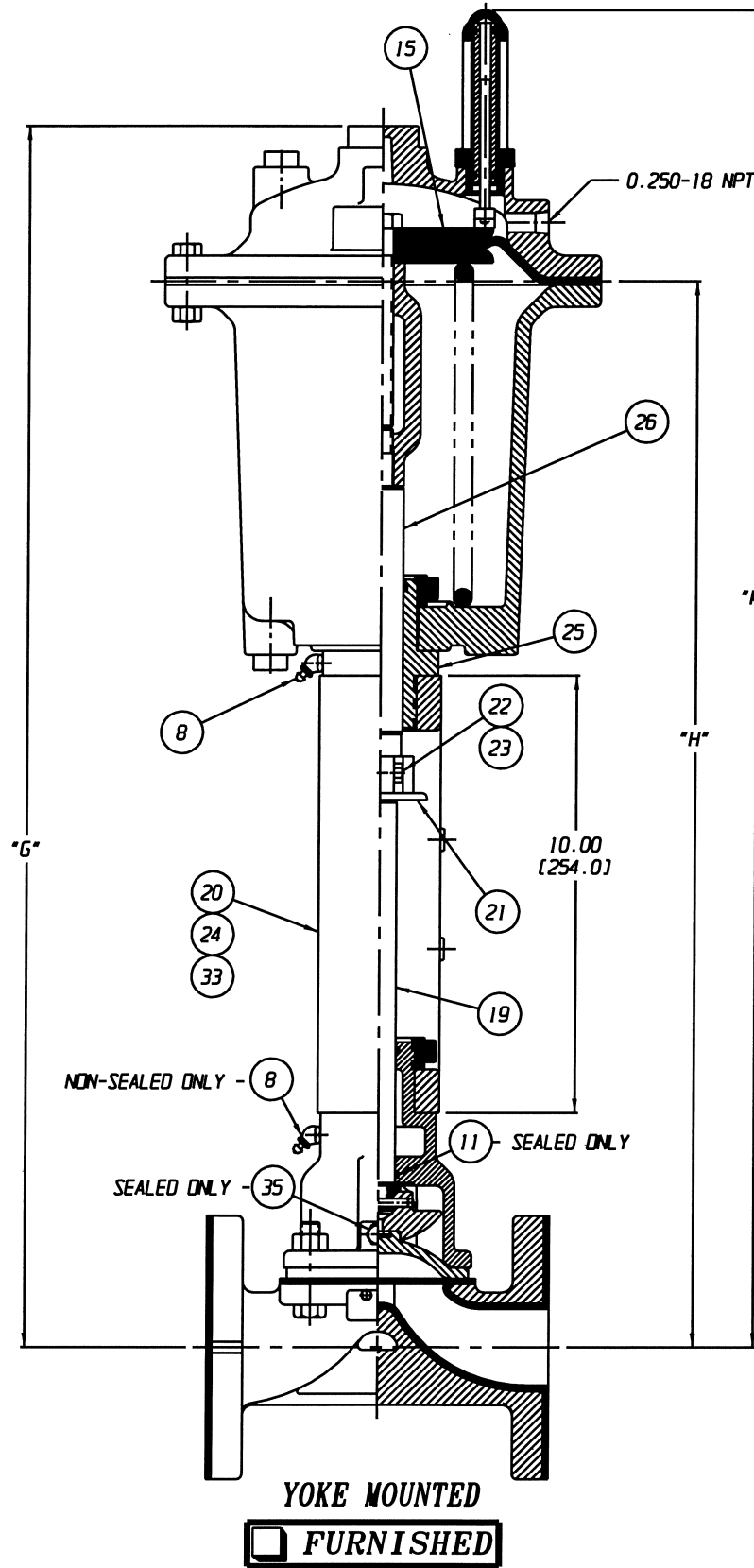
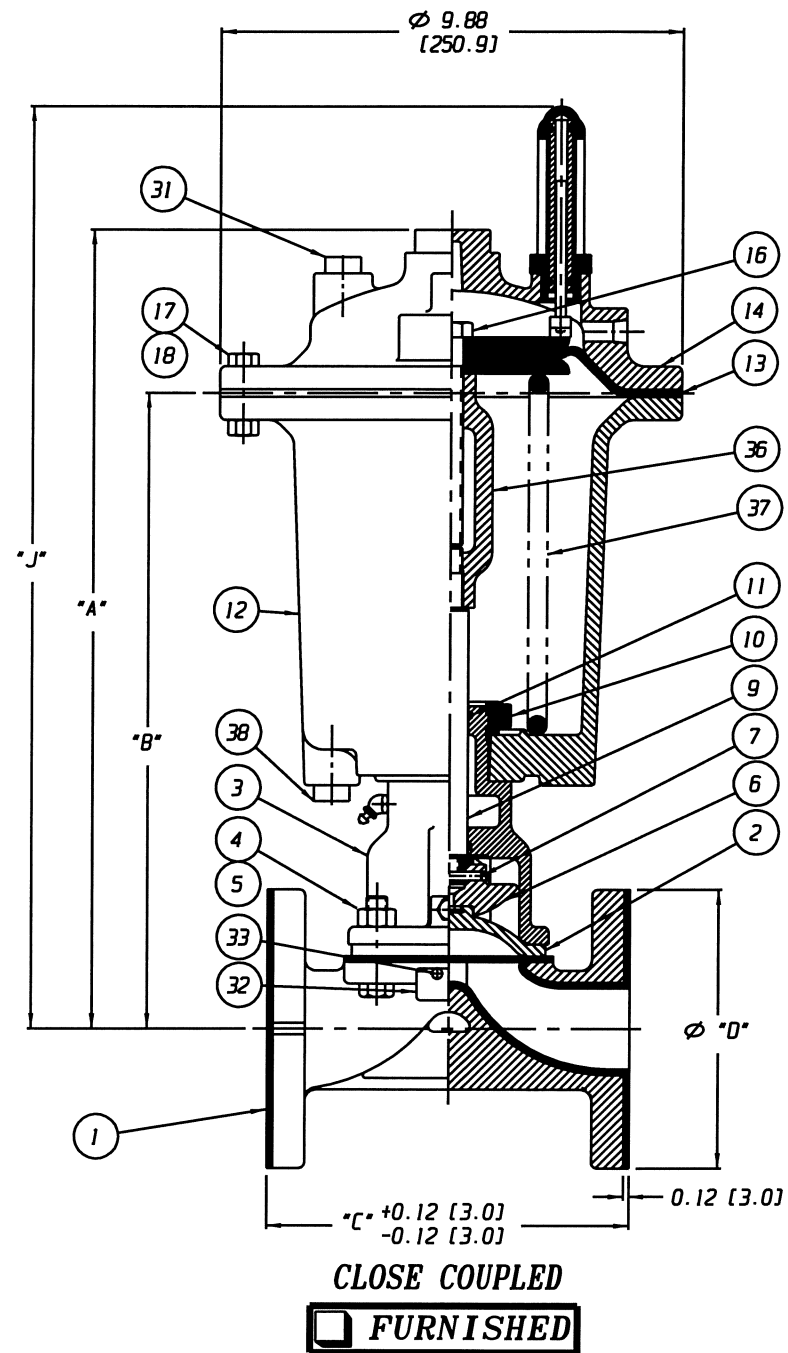
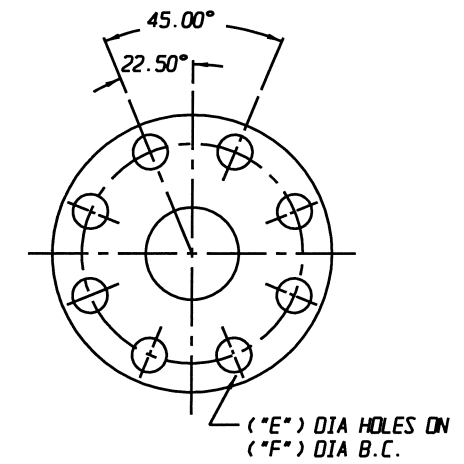


POSITION INDICATOR IS SHOWN 180° FROM TRUE POSITION



00.50 - 03.00 FLANGE

FURNISHED



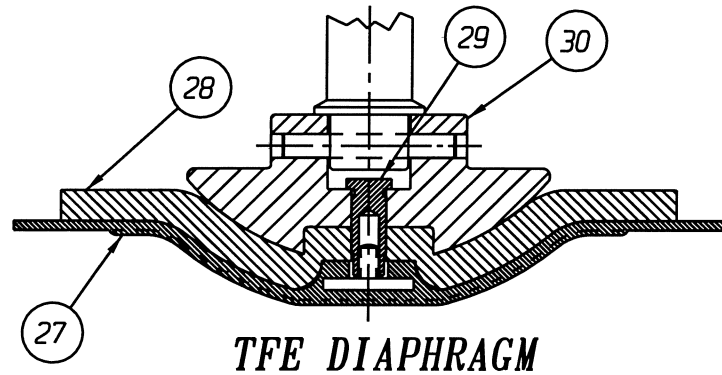
04.00 FLANGE

FURNISHED

UNLESS OTHERWISE SPECIFIED, DIMENSIONS NOT SHOWN IN BRACKETS [] ARE IN INCHES. DIMENSIONS SHOWN IN BRACKETS [] ARE IN MILLIMETERS.

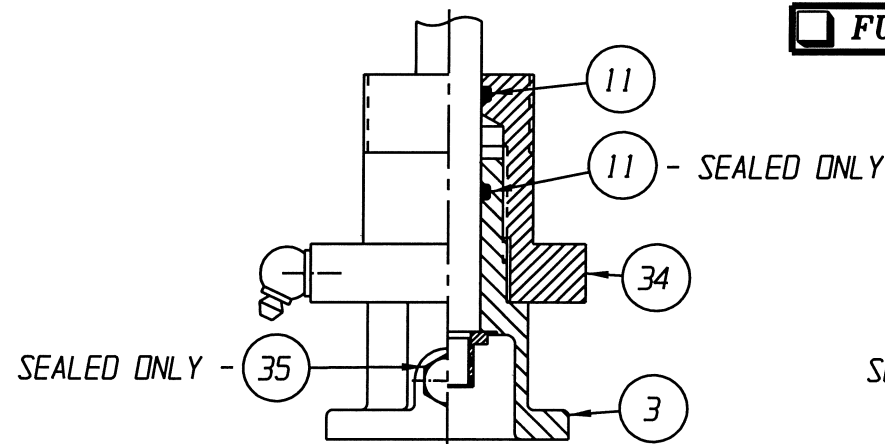
ENGRD VALVES ORDER: -	ITEM: -	THIRD ANGLE PROJECTION	DATE	BY	VALVE ASSEMBLY	
FIGURE NO.: -			DWN 12/17/97	DLH	WEIR 00.50 THRU 04.00	
CUSTOMER: -			CHKD 12/17/97	JLW	#25 DIRECT ACTUATOR	Engineered Valves www.engvalves.com
CUSTOMER P.O.: -			APVD 12/17/97	KEH	WITH FLANGED ENDS	
					RUBBER LINED	000000-000
					MASTER DWG: 004243-1/2/A	SHEET 1 OF 2 REV -
					ISSUED BY: -	CERT BY: -

VALVE SIZE	'A'	'B'	'C'	'D' DIA	'E' DIA	'F' DIA	'G'	'H'	'J'	'K'	QTY. BONNET CAP SCREWS, STUDS/NUTS	O-RING
00.50	14.76 [374.9]	11.23 [285.2]	4.24 [107.7]	3.50 [88.9]	0.62 [15.7]	2.38 [60.4]	25.33 [643.4]	21.80 [553.7]	17.41 [442.2]	27.98 [710.7]	4	#114
00.75	15.02 [381.5]	11.49 [291.8]	5.74 [145.8]	3.88 [98.5]	0.62 [15.7]	2.75 [69.8]	25.59 [650.0]	22.06 [560.3]	17.67 [448.8]	28.24 [717.3]	4	
01.00	15.89 [403.6]	12.61 [320.3]	5.74 [145.8]	4.25 [107.9]	0.62 [15.7]	3.12 [79.2]	26.45 [671.8]	23.08 [586.2]	18.70 [475.0]	29.26 [743.2]	4	
01.25	16.94 [430.3]	13.41 [340.6]	6.74 [171.2]	5.00 [127.0]	0.62 [15.7]	3.50 [88.9]	27.51 [698.7]	23.98 [609.1]	19.59 [497.6]	30.16 [766.1]	4	#116
01.50						3.88 [98.5]						
02.00	17.43 [442.7]	13.90 [353.1]	7.74 [196.6]	6.00 [152.4]	0.75 [19.0]	4.75 [120.6]	28.00 [711.2]	24.47 [621.5]	20.08 [510.0]	30.65 [778.5]	4	#214
02.50	18.39 [467.1]	14.86 [377.4]	8.74 [222.0]	7.00 [177.8]	0.75 [19.0]	5.50 [139.7]	28.96 [735.6]	25.43 [645.9]	21.04 [534.4]	31.61 [802.9]	4	
03.00	18.68 [474.5]	15.15 [384.8]	10.24 [260.1]	7.50 [190.5]	0.75 [19.0]	6.00 [152.4]	29.25 [743.0]	25.72 [653.3]	21.33 [541.8]	31.90 [810.3]	4	
04.00	20.03 [508.8]	16.50 [419.1]	12.74 [323.6]	9.00 [228.6]	0.75 [19.0]	7.50 [190.5]	30.60 [777.2]	27.08 [687.8]	22.68 [576.1]	33.25 [844.6]	8	



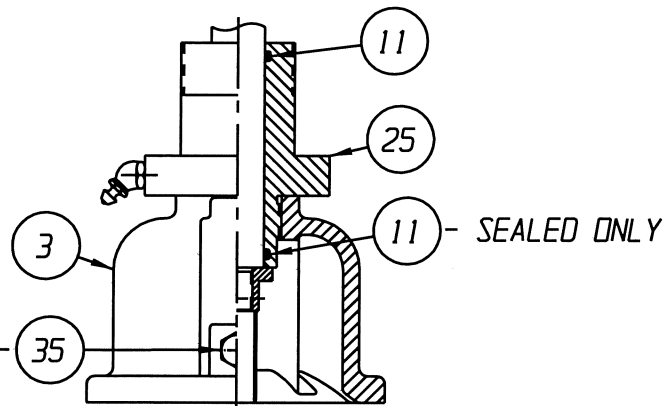
TFE DIAPHRAGM

FURNISHED



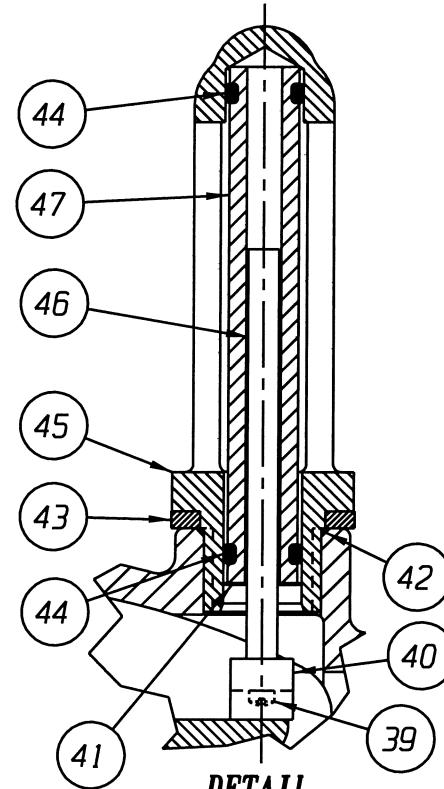
**BONNET W/ADAPTER SPOOL
00.50 THRU 01.00 CLOSE COUPLED
& YOKE MOUNTED.**

FURNISHED



**S.S. BONNET W/ADAPTER BUSHING
01.25 THRU 04.00 CLOSE COUPLED
& YOKE MOUNTED.**

FURNISHED



**DETAIL
POSITION INDICATOR
(OPTIONAL)**

FURNISHED

LIST OF PARTS			
ITEM	DESCRIPTION	MATERIAL	QTY.
1	BODY, FLANGED RUBBER LINED	-	1
2	DIAPHRAGM, ELASTOMER	-	1
3	BONNET, ADAPTER	-	1
4	HEX. CAP SCREWS OR STUDS	-	SEE CHART
5	NUTS	-	SEE CHART
6	COMPRESSOR, F/ ELASTOMER DIAPHRAGM	-	1
7	PIN, SPIROL	STN. STL. TYPE 302	1
8	FITTING, LUBE #1744-B	-	AR
9	SPINDLE, VALVE	STN. STL. A-582, TYPE 303	1
10	NUT, ADAPTER BUSHING	M.I. A-47, GR. 32510	AR
11	O-RING 'SEE CHART'	BUNA-N	AR
12	COVER, LOWER	ALUMINUM	1
13	DIAPHRAGM, AIR MOTOR	BUNA-N	1
14	COVER, UPPER	ALUMINUM	1
15	PLATE, ACTUATOR	C.I. A-126, CL. B	2
16	SCREW, HEX. HD. CAP	CAR. STL.	1
17	SCREW, HEX HD. CAP	CAR. STL.	9
18	NUT, HEX	CAR. STL.	9
19	SPINDLE, VALVE YOKE	STN. STL. A-582, TYPE 303	1
20	YOKE	D.I. A-395, GR. 60-40-18	1
21	COUPLING, HALF	STN. STL. A-351, GR. CFB	2
22	SCREW, HEX HD. CAP	CAR. STL.	2
23	NUT, HEX	CAR. STL.	2
24	SCALE, INDICATING	STN. STL.	1
25	BUSHING, ADAPTER	CAR. STL. A-108, GR. 12L14	AR
26	SPINDLE, ACTUATOR	STN. STL. A-582, TYPE 302	1
27	DIAPHRAGM, PTFE	R2	1
28	CUSHION, BACKING	ELASTOMER	1
29	NUT, TUBE	BRASS B-16, C36000 H02	1
30	COMPRESSOR, F/ PTFE DIAPHRAGM	-	1
31	PLUG, PIPE	CAR. STL. A-181, GR. 1	2
32	PLATE, IDENTIFICATION	STN. STL. A-240, TYPE 304	1
33	SCREW, DRIVE TYPE U	CAR. STL. SAE GR. 2	4
34	SPOOL, ADAPTER	CAR. STL. A-108, GR. 12L14	1
35	PLUG, VENT	STN. STL. TYPE 304	1
36	SPINDLE, HEAD	D.I. ASTM A395 GR.60-40-18	1
37	SPRING NO. 103	STEEL ASTM A227	1
38	PLUG, PIPE	PLASTIC	1
39	SCREW, MACHINE FILLISTER HD.	STN. STL. 18-8	1
40	MAGNET, CRUCIBLE U-181	-	1
41	RING, RETAINING	STEEL	1
42	O-RING #115	BUNA-N	1
43	SPACER, INDICATOR HOUSING	ALUMINUM B-211	1
44	O-RING #110	BUNA-N	2
45	HOUSING, INDICATOR	ALUMINUM B-26	1
46	ROD, INDICATOR	ALUMINUM B-211	1
47	TUBE, INDICATOR	PLASTIC	1

* RECOMMENDED SPARE PARTS

UNLESS OTHERWISE SPECIFIED, DIMENSIONS NOT SHOWN IN BRACKETS [] ARE IN INCHES. DIMENSIONS SHOWN IN BRACKETS [] ARE IN MILLIMETERS.

ENGRD VALVES ORDER: -	ITEM: -	THIRD ANGLE PROJECTION	DATE	BY	VALVE ASSEMBLY WEIR 00.50 THRU 04.00 #25 DIRECT ACTUATOR WITH FLANGED ENDS RUBBER LINED
FIGURE NO.: -			DWN 12/17/97	DJH	ITT Engineered Valves www.engvalves.com 000000-000 SHEET 2 OF 2 REV -
CUSTOMER: -		ALL DIMENSIONS SHOWN ON THIS DRAWING ARE FOR REFERENCE ONLY	CHKD 12/17/97	JLW	
CUSTOMER P.O.: -			APVD 12/17/97	KEH	